
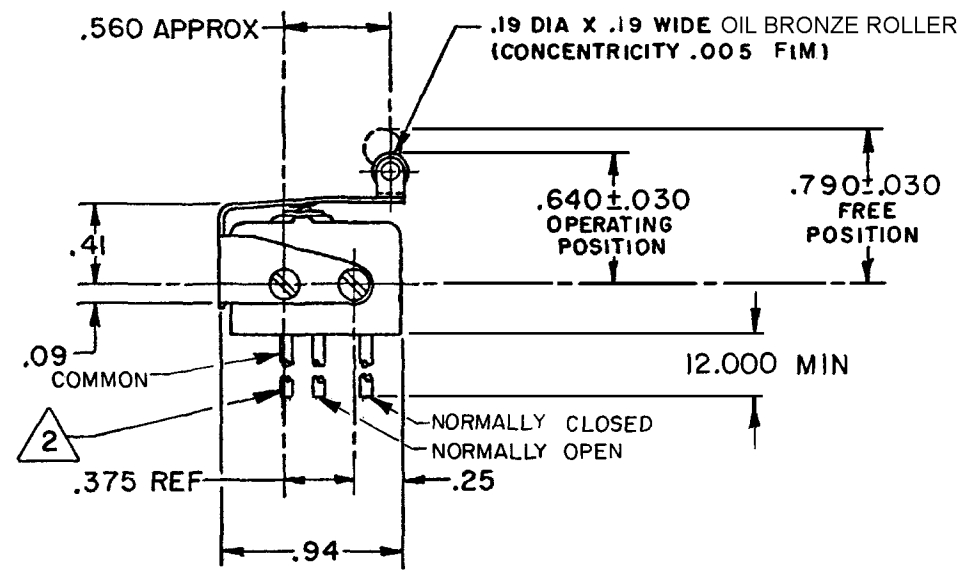
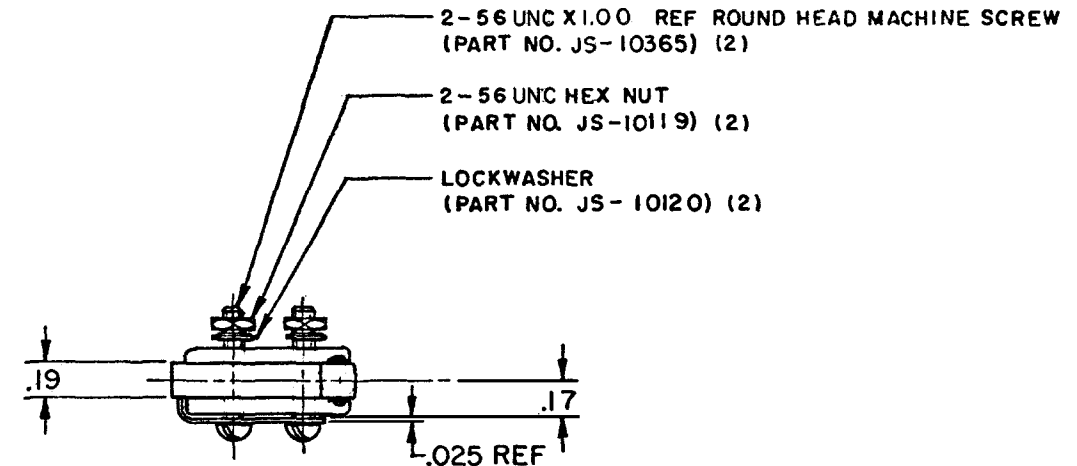




HONEYWELL
PART NUMBER
8AS193
FAA-PMA 

REV	DOCUMENT	CHANGED BY	CHECK
12	0054409	SJK 10JUL09	CMH

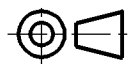


- NOTES
1 - UNIT INCLUDES CATALOG LISTING 1SE201 BASIC SWITCH AND JE-13 TYPE ACTUATOR
 (3) NO. 20 WIRE LEAD PER MIL-W-22759/7
 FOR MANUFACTURING DETAIL SEE ASSEMBLY DRAWING 8AS193 FOR FAA-PMA

REPLACES : X71296-8AS

CHARACTERISTICS	
OPERATING FORCE	12 OZ MAX
RELEASE FORCE	2 OZ MIN
DIFFERENTIAL TRAVEL	.025 MAX
OVERTRAVEL	.015 MIN

ELECTRICAL DATA	
CONTACT ARRANGEMENT SPDT	
250VAC	5 AMP
30 VOLTS DC RATING	
INDUCTIVE	SEA LEVEL ----- 3 AMP
	50,000 FT ----- 2.5 AMP
RESISTIVE	SEA LEVEL ----- 5 AMP
	50,000 FT ----- 5 AMP
MAXIMUM INRUSH	24 AMP

DESIGN UNITS: INCH	
TOLERANCES UNLESS NOTED:	
NO PLACE	X ± 0.040
ONE PLACE	.X ± 0.030
TWO PLACE	.XX ± 0.015
THREE PLACE	.XXX ± 0.005
FOUR PLACE	.XXXX ± 0.0005
ANGLES	± 2°
THIRD ANGLE PROJECTION	
	

DRAWN	TSM	25AUG80
CHECK	DJW	28AUG80
THIS DRAWING COVERS A PROPRIETARY ITEM AND IS THE PROPERTY OF HONEYWELL. THIS DRAWING IS NOT TO BE COPIED OR USED WITHOUT THE PERMISSION OF HONEYWELL.		
INTERPRET PER ASME Y14.5M-1994 OTHER HONEYWELL ENGINEERING STANDARDS MAY APPLY		
RASTER		

Honeywell			
TITLE ACTUATOR-SWITCH			
SIZE	TYPE	DRAWING NAME	REV
B	I	8AS193	12
SCALE	FULL	SHEET 1 OF 1	

X-ON Electronics

Largest Supplier of Electrical and Electronic Components

Click to view similar products for [Basic / Snap Action Switches](#) category:

Click to view products by [Honeywell](#) manufacturer:

Other Similar products are found below :

[83228001](#) [01.098.1358.1](#) [602EN1-6B](#) [602EN532](#) [602EN535-RB](#) [602HE5-RB1](#) [604HE162](#) [604HE223-6B](#) [624HE17-RB](#) [6HM89](#) [6PA78-JM](#)
[6SE1](#) [6SX1-H58](#) [70500840](#) [MBD5B1](#) [MBH2731](#) [73-316-0012](#) [79211759](#) [79211923](#) [79218589](#) [7AS12](#) [ML-1155](#) [ML-1376](#) [831010C3.0](#)
[831060C3.TL](#) [831090C2.EL](#) [83131904](#) [84212012](#) [8AS239](#) [8HM73-3](#) [903VB1-PG](#) [914CE1-6G](#) [PL-100](#) [11SM1077-H4](#) [11SM1077-H58](#)
[11SM1-TN107](#) [11SM405](#) [11SM703-T](#) [11SM8423-H2](#) [11SX37-T](#) [11SX48-H58](#) [11SX55-H58](#) [11SM2442-T](#) [11SM76-T](#) [11SM77-H58](#)
[11SM77-T](#) [11SM863-T](#) [11SM866](#) [11SX47-H58](#) [A7CN-1M-1-LEFT](#)