

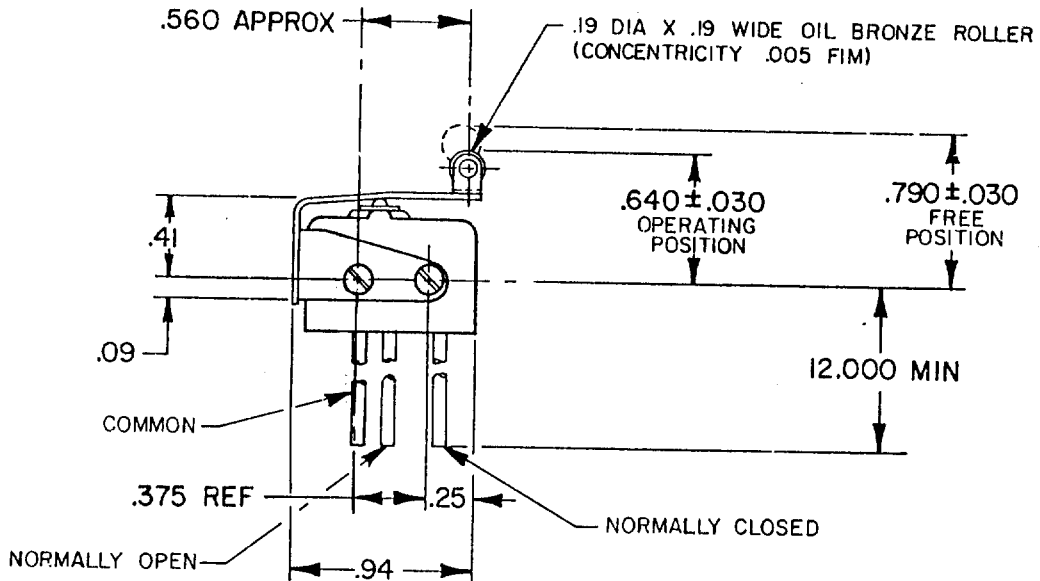
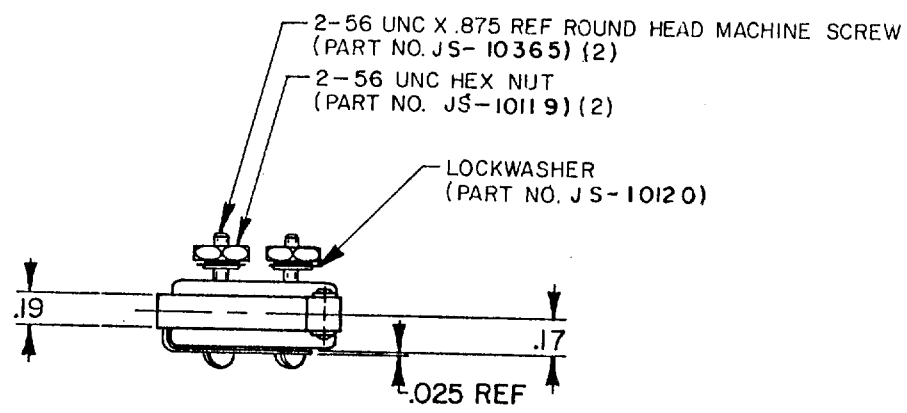
# MICRO SWITCH

FREEPORT ILLINOIS, U.S.A.  
A DIVISION OF HONEYWELL  
FED. MFG. CODE 91029

# ACTUATOR - SWITCH

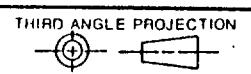
CATALOG LISTING  
**8AS220**  
5

M 8AS220  
 DRAWING NUMBER  
 ISSUE 3  
 REVISIONS  
 A PRI4713 TAD 18 APR 86  
 B C074852 J.D.B. 24 MAY 93  
 CHECK KAG 18 APR 86  
 DRAWN TAD 18 APR 86  
 FO-52848-A



**NOTES**  
 1 - UNIT INCLUDES CATALOG LISTING 5SE1 BASIC SWITCH AND JE-5 TYPE ACTUATOR  
 2 - FURNISHED UNASSEMBLED

THIS DRAWING COVERS A PROPRIETARY ITEM AND IS THE PROPERTY OF MICRO SWITCH. A DIVISION OF HONEYWELL. THIS DRAWING IS NOT TO BE COPIED OR USED WITHOUT THE APPROVAL OF MICRO SWITCH.



CHARACTERISTICS	
OPERATING FORCE	12 OZ MAX
RELEASE FORCE	2 OZ MIN
DIFFERENTIAL TRAVEL	.025 MAX
OVERTRAVEL	.015 MIN

ELECTRICAL DATA	
CONTACT ARRANGEMENT S P D T	
250 VAC	5 AMP
30 VOLTS DC RATING	
INDUCTIVE -- SEA LEVEL	3 AMP
50,000 FT	2.5 AMP
RESISTIVE -- SEA LEVEL	5 AMP
50,000 FT	5 AMP
MAXIMUM INRUSH	24 AMP

SCALE FULL			
DO NOT SCALE PRINT			
TOLERANCES			
APPLY TO DESIGN UNITS. CONVERSIONS ARE ONLY FOR REFERENCE. UNLESS NOTED, TOLERANCES ARE ±			
DIM.	TOL.	DIM.	TOL.
mm	mm/in	in	mm/in
NO PLACES	X	1/64	
ONE PLACE	X,X	0.01/0.16	X,X
TWO PLACES	X,XX	0.001/0.008	X,XX
THREE PLACES	X,XXX	0.0001/0.0008	X,XXX
DESIGN UNITS		US CUSTOMARY	
<input type="checkbox"/> METRIC		<input checked="" type="checkbox"/> US CUSTOMARY	
WEIGHT			

## X-ON Electronics

Largest Supplier of Electrical and Electronic Components

*Click to view similar products for [Basic / Snap Action Switches](#) category:*

*Click to view products by [Honeywell](#) manufacturer:*

Other Similar products are found below :

[83228001](#) [01.098.1358.1](#) [602EN1-6B](#) [602EN532](#) [602EN535-RB](#) [602HE5-RB1](#) [604HE162](#) [604HE223-6B](#) [624HE17-RB](#) [6HM89](#) [6PA78-JM](#)  
[6SE1](#) [6SX1-H58](#) [70500840](#) [MBD5B1](#) [MBH2731](#) [73-316-0012](#) [79211759](#) [79211923](#) [79218589](#) [7AS12](#) [ML-1155](#) [ML-1376](#) [831010C3.0](#)  
[831060C3.TL](#) [831090C2.EL](#) [83131904](#) [84212012](#) [8AS239](#) [8HM73-3](#) [903VB1-PG](#) [914CE1-6G](#) [PL-100](#) [11SM1077-H4](#) [11SM1077-H58](#)  
[11SM1-TN107](#) [11SM405](#) [11SM703-T](#) [11SM8423-H2](#) [11SX37-T](#) [11SX48-H58](#) [11SX55-H58](#) [11SM2442-T](#) [11SM76-T](#) [11SM77-H58](#)  
[11SM77-T](#) [11SM863-T](#) [11SM866](#) [11SX47-H58](#) [A7CN-1M-1-LEFT](#)