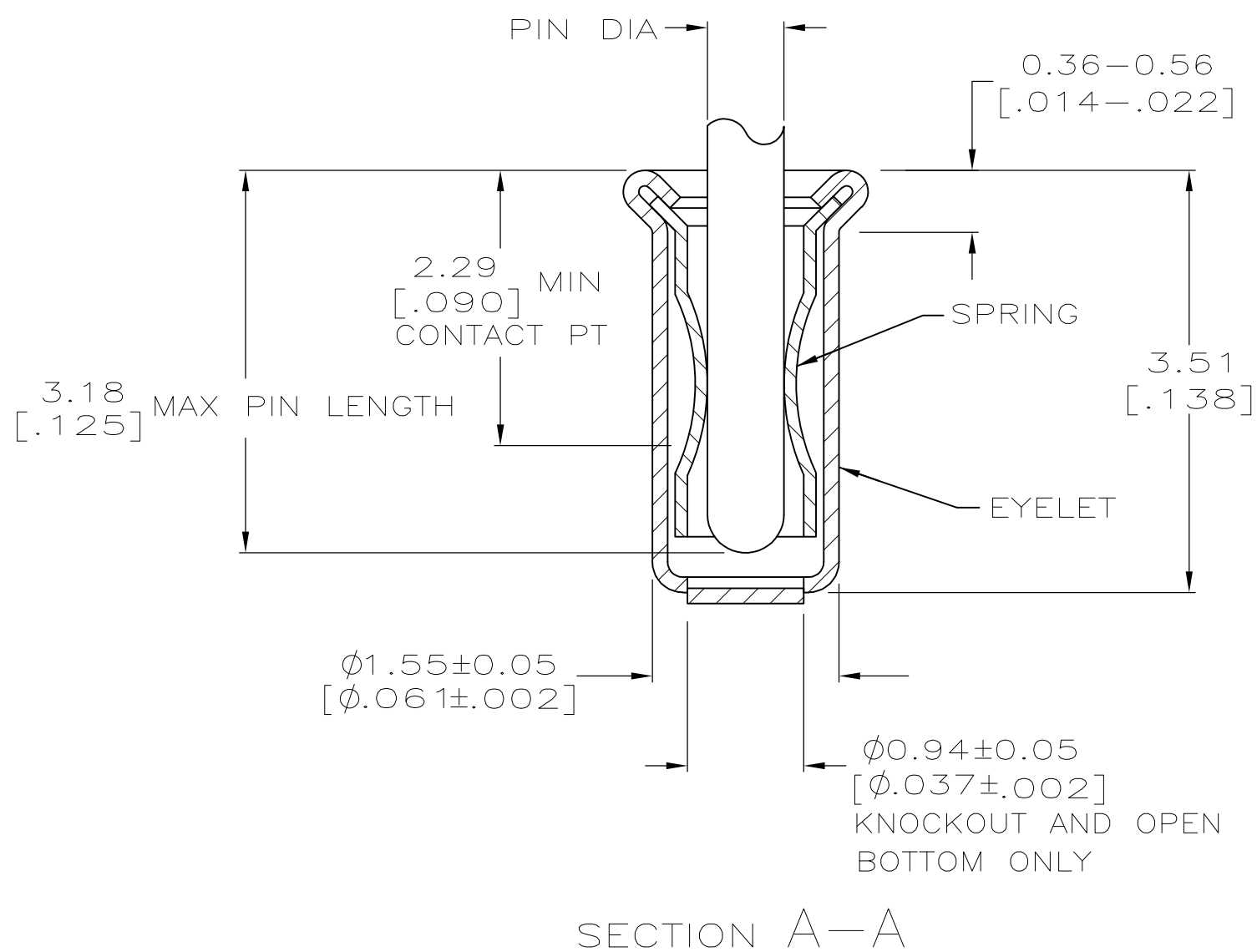
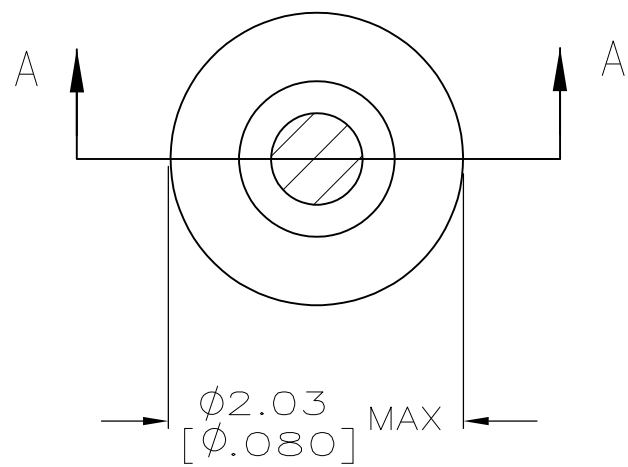


THIS DRAWING IS UNPUBLISHED. RELEASED FOR PUBLICATION  
 © COPYRIGHT - By - ALL RIGHTS RESERVED.

LOC		DIST		REVISIONS			
P	LTR	DESCRIPTION		DATE	DWN	APVD	
GP	00	P		REVISED PER ECO-11-004835	07MAR11	RK HMR	



- 1. TIN PLATE PER ASTM B 545 0.00254 [.000100] MIN THICK.
- 2. GOLD PLATE PER ASTM B 488 0.00076 [.000030] MIN THICK OVER NICKEL PLATE PER QQ-N-290 0.00028 [.000011] MIN THICK ON CONTACT AREA.
- 3. RECOMMENDED HOLE SIZE, PLATED OR UNPLATED:  
 MACHINE INSERTION: 1.57  $\begin{matrix} +0.10 \\ -0.08 \end{matrix}$  [.062  $\begin{matrix} +.004 \\ -.003 \end{matrix}$ ]  
 HAND INSERTION: 1.60  $\begin{matrix} +0.10 \\ -0.00 \end{matrix}$  [.063  $\begin{matrix} +.004 \\ -.000 \end{matrix}$ ]
- 4. APPLICATION TOOL PART NUMBER: MACHINE NO. 682127-4  
 INSERTION HEAD NO. 682039-3
- 5. TO INSURE PROPER SPRING TENSION DO NOT EXCEED A 0.05 [.002] DIFFERENCE IN PIN DIA WHEN CHANGING TO A SMALLER PIN.
- 6. BOTTOM PLUG KNOCKOUT TOOL PART NUMBER 69729 WITH TIP PART NUMBER 69728-1.
- 7. MATERIAL: BERYLLIUM COPPER PER ASTM B 194  
 EYELET: COPPER PER ASTM B 152
- 8. OBSOLETE PARTS: OBSOLETE CIS STREAMLINING PER D.RENAUD/D.SINISI

8	OBSOLETE	OPEN		TIN 1	GOLD 2	PART NO
		OPEN	0.76-0.84 [.030-.033]			
		CLOSED	0.66-0.74 [.026-.029]			3-5331677-8
		KNOCKOUT				3-5331677-4
			0.76-0.84 [.030-.033]			3-5331677-2
			0.66-0.74 [.026-.029]			2-5331677-4
		OPEN				2-5331677-2
			0.76-0.84 [.030-.033]			1-5331677-8
		CLOSED				1-5331677-6
			0.56-0.64 [.022-.025]			1-5331677-3
			0.76-0.84 [.030-.033]			
		BOTTOM TYPE	RECOMMENDED PIN DIA 5	EYELET	SPRING	PART NO
				FINISH		

THIS DRAWING IS A CONTROLLED DOCUMENT.

DIMENSIONS: mm [INCHES]	TOLERANCES UNLESS OTHERWISE SPECIFIED:	DWN: A. FERNANDEZ-DOCK5	22APR2005	CHK: J. HAVENER	22APR2005	APVD: J. HAVENER	22APR2005	NAME: MINIATURE SPRING SOCKET ASSEMBLY
0 PLC ± -	1 PLC ± -	PRODUCT SPEC: 108-14008		APPLICATION SPEC: 114-13152		SIZE: A2	CAGE CODE: 00779	DRAWING NO: 5331677
2 PLC ± -	3 PLC ± 0.20 [.008]	WEIGHT: -		SCALE: 20:1		SHEET: 1 of 1	REV: P	RESTRICTED TO: -
4 PLC ± -	ANGLES ± -	CUSTOMER DRAWING						

## X-ON Electronics

Largest Supplier of Electrical and Electronic Components

*Click to view similar products for [IC & Component Sockets](#) category:*

*Click to view products by [TE Connectivity](#) manufacturer:*

Other Similar products are found below :

[714-43-102-31-012000](#) [0066-3-17-15-30-14-02-0](#) [0134-0-15-15-32-27-04-0](#) [614-DG5](#) [6527-0-00-15-00-00-03-0](#) [670](#) [672](#) [673](#) [712-93-120-41-001000](#) [714-93-104-31-018000](#) [8059-4G1-LF](#) [807-22-001-10-001101](#) [807-22-001-10-003101](#) [807-22-001-10-004101](#) [807-22-001-10-006101](#) [807-22-001-30-011101](#) [807-22-001-30-012101](#) [807-22-001-30-013101](#) [807-22-001-30-014101](#) [8-1437531-4](#) [8150-6P10](#) [833-93-034-10-001000](#) [835-43-014-10-001000](#) [851-41-006-10-001000](#) [851-43-008-20-001000](#) [851-43-014-20-001000](#) [851-93-006-20-001000](#) [851-93-010-20-001000](#) [852-10-026-10-001000](#) [853-43-020-10-001000](#) [86.010.0053.0](#) [116-43-306-41-003000](#) [116-43-308-41-007000](#) [116-87-308-41-007101](#) [PX-68LCC](#) [PX-84LCC](#) [121-13-318-41-001000](#) [121-13-320-41-001000](#) [121-13-308-41-001000](#) [123-43-314-41-801000](#) [123-43-420-41-001000](#) [123-43-636-41-001000](#) [123-87-320-41-001101](#) [122-13-316-41-001000](#) [123-13-624-41-001000](#) [123-43-306-41-001000](#) [123-43-322-41-801000](#) [123-43-428-41-001000](#) [123-43-624-41-001000](#) [12-3513-11](#)