

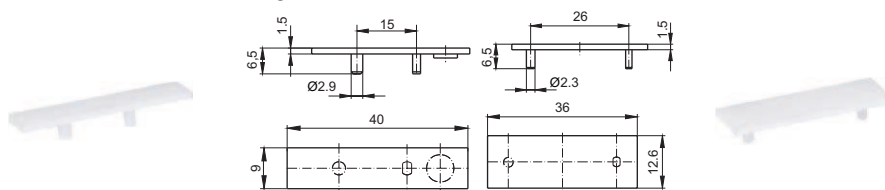
TERMINAL BLOCKS

Holder markers OZT-1¹⁾ i OZT-3¹⁾

Descriptions can be written on the OZT markers with a felt-tip pen.

The OZT-1 markers are intended for installing on holder types KU-1/35 and KU-2/35.

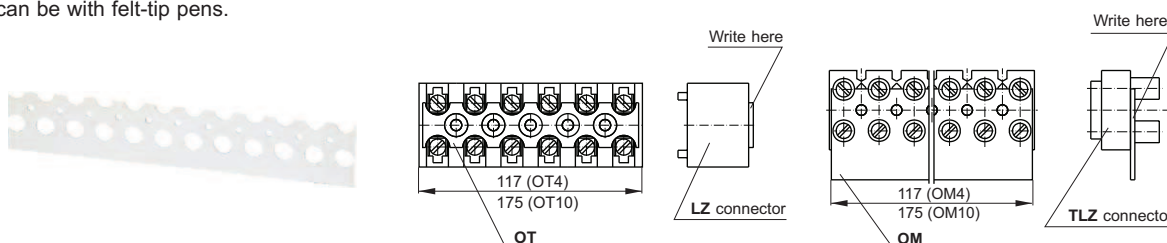
The OZT-3 markers are intended for installing on KU-3 holders.



TYPE	OZT-1	OZT-3
Catalogue number	99-401	99-402
Colour ¹⁾	yellow-1 ● white-2 ○	yellow-1 ● white-2 ○
Insulating material	polyamide	polyamide
Ambient temperature	-25...+100°C	-25...+100°C
Package	25pcs.	10pcs.

OT and OM labels for multipolar terminal blocks²⁾

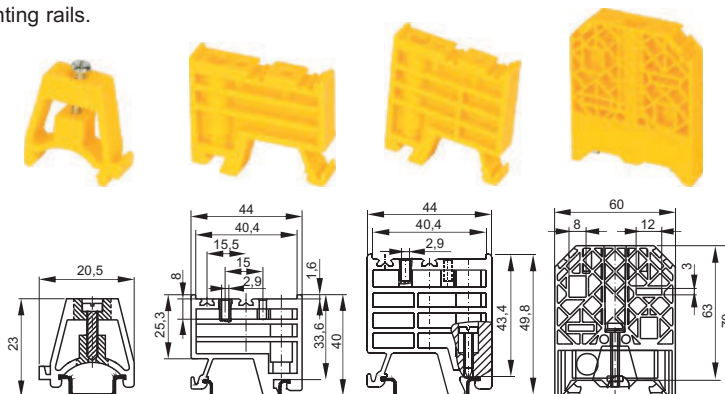
The labels are intended for marking poles on terminal blocks. They are supplied as white strips. The markers without print can be with felt-tip pens.



TYPE	OT-4	OT-10	OM-4	OM-10
Catalogue number	51-8010	51-8020	51-8510	51-8520
Colour	white ○	white ○	white ○	white ○
Print	per order or without print		to be agreed; applied by user	
Use	LZ-B4, TLZ-4	LZ-B10, TLZ-10	LZ-B4, TLZ-4	LZ-B10, TLZ-10
Fastening	two-sided adhesive tape			
Insulating material	PCV	PCV	PCV	PCV
Ambient temperature	-30...+70°C	-30...+70°C	-30...+70°C	-30...+70°C
Package	100pcs.	100pcs.	100pcs.	100pcs.

KU holders

For positioning terminal blocks on the TS mounting rails.



TYPE	KU-15	KU-1/35	KU-2/35	KU-3/35 ³⁾
Catalogue number	44-3001	44-120	44-201	44-500
Colour	yellow ●	yellow-1 ● blue-6 ● grey-8 ●	yellow-1 ● blue-6 ● grey-8 ●	yellow-1 ● blue-6 ● grey-8 ●
Fastening	TS-15	TS-35	TS-35	TS-35 TS2x35AI <small>only on the "arms" side</small>
Width	8,6mm	10mm	10mm	13mm
Insulating material	polyamide	polyamide	polyamide	polyamide
Ambient temperature	-25...+100°C	-25...+100°C	-25...+100°C	-25...+100°C
Package	25pcs.	30pcs.	30pcs.	30pcs.

Equipment and accessories

EQUIPMENT	PAGE	KU-15	KU-1/35	KU-2/35	KU-3/35
Markers	48	—	OZT-1, DK/Z	OZT-1, DK/Z	OZT-3, DK/Z

¹⁾ The markers are sold in white and yellow (other colours available on request)

²⁾ Markers with print are available on request

³⁾ Two KU-3 type holders can be used as supports for two 8x10 or 3x12 rails and can be additionally equipped with OZZ type protection cover

X-ON Electronics

Largest Supplier of Electrical and Electronic Components

Click to view similar products for [DIN Rail Terminal Blocks](#) category:

Click to view products by [POKOJ](#) manufacturer:

Other Similar products are found below :

[00110201060](#) [00110410002](#) [00110420002](#) [00110420004](#) [00110420202](#) [00110420302](#) [00110430002](#) [00110430402](#) [00110440002](#)
[00175111500](#) [0117960000 AP SAK4-10](#) [0117980000 AP SAK4-10 BL](#) [0203069](#) [0205067](#) [0210421](#) [0260015](#) [0261014](#) [0261027](#) [0270018](#)
[0271017](#) [0279560000 AP SAK2.5](#) [0279580000 AP SAK2.5 BL](#) [0302216](#) [0303370](#) [0303396](#) [0304298](#) [0305080](#) [0305226](#) [0305297](#) [0305352](#)
[0308210](#) [0309086](#) [0309109](#) [0309112](#) [0309549](#) [0310321](#) [0310389](#) [0311087](#) [0311126](#) [0311142](#) [0311171](#) [031-12](#) [0311359](#) [0311540](#) [0311728](#)
[0311760](#) [031-238](#) [0313085](#) [0321019](#) [0328920000 SAKS 3/35 G/5X30 500V](#)