

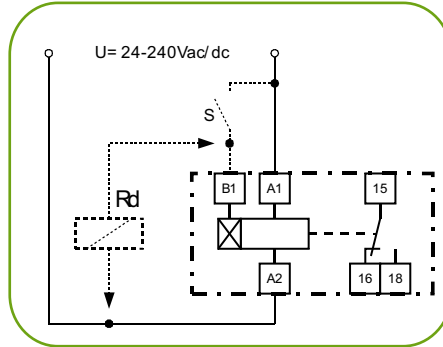
Microprocessor Timers

RTx-410, 412, 414

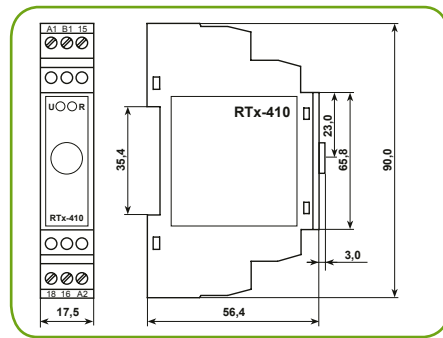


Connection diagram

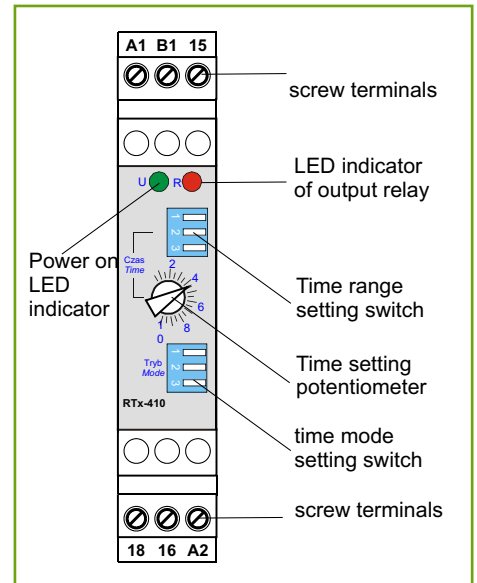
RTx-410, 412, 414



RTx-41x dimensions



Front panel view of RTx-41x



Features

- Multi-function*:
 - RTx-410:** A, B, C, D, As, Bs, Cs, Ds, Ar, Br, ABC, Pc
 - RTx-412:** Ac, Bc, A1c, B1c, C1c, D1c, Wd, Zsc
 - RTx-414:** Ai, Ci, Asi, Csi, B1i, P1c, P2c, P3c, P4c, A2c
- Multi-range; choice of eight selectable time ranges from 0.01s to 100hr
- Analogue time setting
- Wide supply voltage range from 24 to 230V
- Binary control input B1
- LED power on indicator (Un)
- LED indicator of output state (R)
- 35 mm DIN rail mounted

Technical data

Supply voltage options V_x
 Supply voltage tolerance
 Frequency
 Time range

24-240V AC/DC
 (0.8-1.1) V_x
 50 / 60Hz
 0.01s - 100hr in eight sub-ranges
 (choosing by switch):
 (0.01-0.1s)**; 0.1-1s; 1-10s;
 10-100s; 1-10min; 10-100min;
 1-10h; 10-100h

** NOTE: Setting error may be higher than stated.
 The time setting should be selected on try-out basis.

Restoration time	$\leq 0.1s$
Contact ratings	
- contact make	5A
- contact break	5A (220V, $\cos\phi \leq 0.4$) 0.1A (220V DC, L/R=40ms)
- carry continuously	5A
Repeatability	1% +10ms
Setting error	$\pm 5\%$ of the full scale $\pm 10ms$
Operating temperature	(-25...+60) $^{\circ}C$

Information required with order

relay type
 Example
 RTx-410



Microprocessor Timers RTx-420

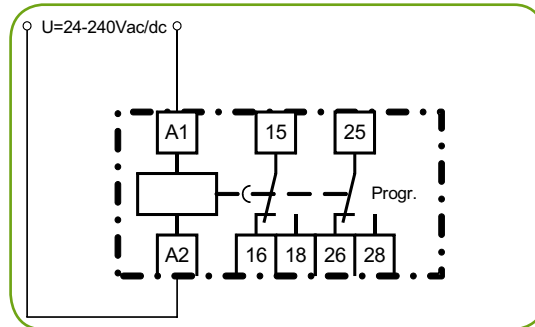


Features

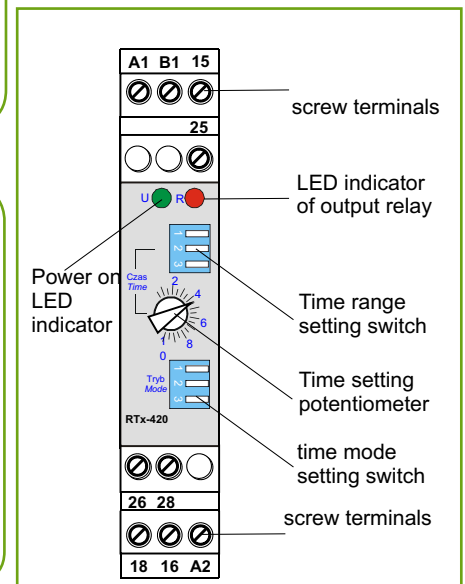
- Multi-function*: A, B, C, D
- Multi-range; choice of eight selectable time ranges from 0.01s to 100hr
- Analogue time setting
- Wide supply voltage range from 24 to 240V
- LED power on indicator (Un)
- LED indicator of output state (R)
- 35 mm DIN rail mounted
- 2 c/o outputs: delayed+delayed/instantaneous

Connection diagram

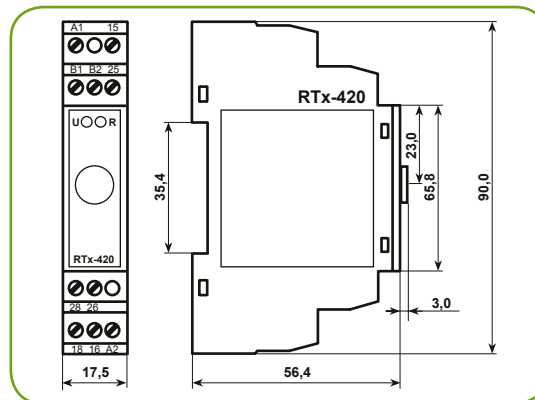
RTx-420



Front panel view of RTx-420



RTx-42x dimensions



Technical data

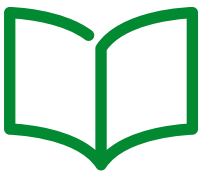
Supply voltage options V_x	24-240V AC/DC
Supply voltage tolerance	(0.8-1.1) V_x
Frequency	50 / 60Hz
Time range	0.01s - 100hr in eight sub-ranges (choosing by switch): (0.01-0.1s)**; 0.1-1s; 1-10s; 10-100s; 1-10min; 10-100min; 1-10h; 10-100h

** NOTE: Setting error may be higher than stated.
The time setting should be selected on try-out basis.

Restoration time	$\leq 0.1s$
Contact ratings	
- contact make	5A
- contact break	5A (220V, $\cos\phi \leq 0.4$) 0.1A (220V DC, L/R=40ms)
- carry continuously	5A
Repeatability	1% +10ms
Setting error	$\pm 5\%$ of the full scale $\pm 10ms$
Operating temperature	(-25...+60) $^{\circ}C$

Information required with order

relay type
Example
RTx-420

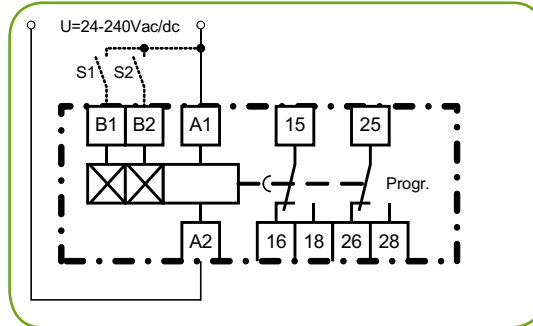


Microprocessor Timers RTx-424

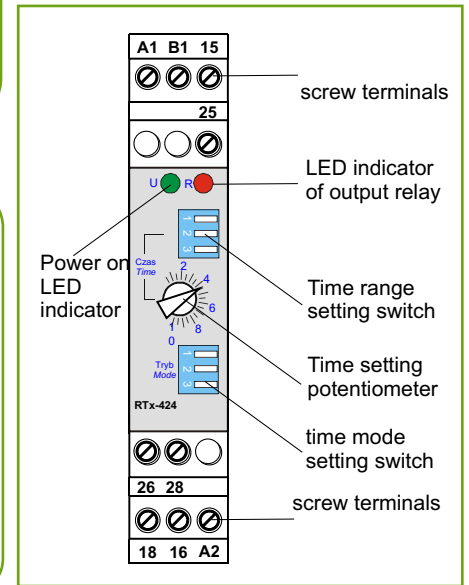


Connection diagram

RTx-424



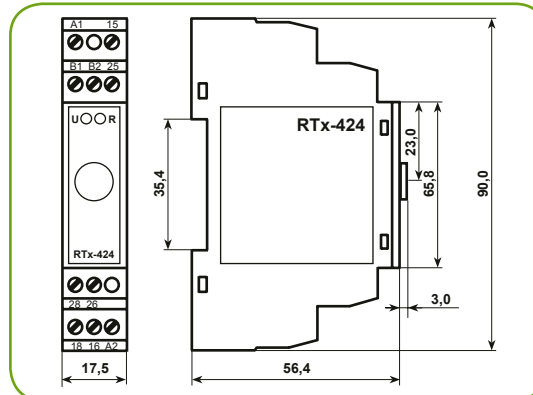
Front panel view of RTx-424



Features

- Multi-function*: A, B, C, D
- Multi-range; choice of eight selectable time ranges from 0.01s to 100hr
- Analogue time setting
- Wide supply voltage range from 24 to 240V
- 2 Binary Logic Input B1 and B2
- LED power on indicator (Un)
- LED indicator of output state (R)
- 35 mm DIN rail mounted
- 2 c/o outputs: delayed+delayed/instantaneous

RTx-424 dimensions



Technical data

Supply voltage options V_x	24-240V AC/DC
Supply voltage tolerance	(0.8-1.1) V_x
Frequency	50 / 60Hz
Time range	0.01s - 100hr in eight sub-ranges (choosing by switch): (0.01-0.1s)**; 0.1-1s; 1-10s; 10-100s; 1-10min; 10-100min; 1-10h; 10-100h

** NOTE: Setting error may be higher than stated.
The time setting should be selected on try-out basis.

Restoration time	$\leq 0.1s$
Contact ratings	
- contact make	5A
- contact break	5A (220V, $\cos\phi \leq 0.4$) 0.1A (220V DC, L/R=40ms)
- carry continuously	5A
Repeatability	1% +10ms
Setting error	$\pm 5\%$ of the full scale $\pm 10ms$
Operating temperature	(-25...+60) $^{\circ}C$

Information required with order

relay type
Example
RTx-424



Microprocessor Star/delta Timer RTx-426

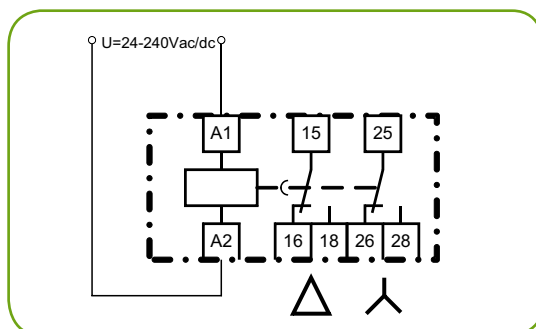


Features

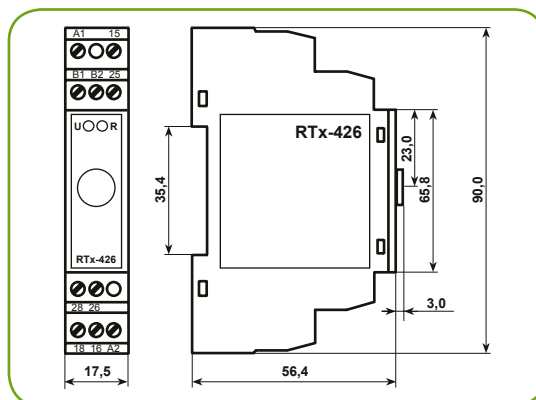
- Star/delta starting timer for LV motors
- Multi-range; choice of eight selectable time ranges from 0.01s to 100hr
- Analogue time setting for star connection
- Time between star and delta arrangement: 50-350ms
- Wide range of power supply 24-240V AC/DC
- 2 c/o outputs:
 - 26-26-28 - star arrangement
 - 15-16-18 - delta arrangement
- LED power on indicator (Un)
- LED indicator of delta arrangement (lit) and star arrangement (flushing) (R)
- 35 mm DIN rail mounted

Connection diagram

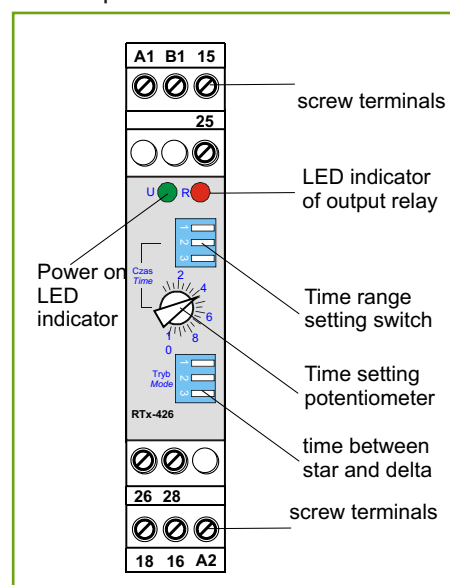
RTx-426



RTx-426 dimensions



Front panel view of RTx-426



Technical data

Supply voltage options V_x	24-240V AC/DC
Supply voltage tolerance	(0.8-1.1) V_x
Frequency	50 / 60Hz
Time range for star arrangement	0.01s - 100hr in eight sub-ranges (choosing by switch): (0.01-0.1s)**; 0.1-1s; 1-10s; 10-100s; 1-10min; 10-100min; 1-10h; 10-100h

** NOTE: Setting error may be higher than stated.

The time setting should be selected on try-out basis.

Time range for delta arrangement	50ms - 350ms step 50ms
Restoration time	≤ 0.1s
Contact ratings	
- contact make	5A
- contact break	5A (220V, $\cos\phi \leq 0.4$) 0.1A (220V DC, L/R=40ms)
- carry continuously	5A
Repeatability	1% +10ms
Setting error	±5% of the full scale ±10ms
Operating temperature	(-25...+60)°C

Information required with order

relay type

Example

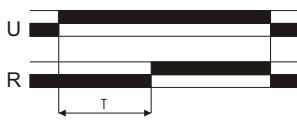
RTx-426

Modes of Operation Diagrams

Key:

- U** - supply voltage U_n
- R** - output contacts state
- T, T1, T2** - time setting

A function (time-delayed pick-up)



Timing commences upon application of the supply voltage. At the end of the timing the output contacts change their state and maintain this state until supply voltage is interrupted.

B function (time-delayed drop-off)



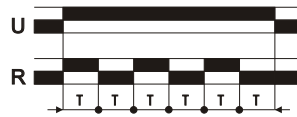
Inverse of A function. The output contacts change their state at the instant the supply voltage is applied. The output contacts change state to their rest position after the timing T is completed.

C function (cyclic operation)



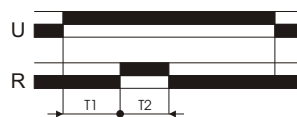
Timing commences upon application of the supply voltage. At the end of time T the output relay is energised, timing T commences again and at the end of the timing range the output relay contacts change state to their rest position. The cycle repeats while the supply voltage is present.

D function (cyclic operation)



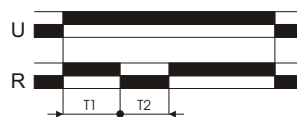
Inverse of C function. The output relay is energised and timing T commences at the instant the supply voltage is applied. At the end of time T the output relay contacts revert to their rest position and timing T commences again. At the end of T the output contacts are energised again and the cycle repeats.

E1 function (single cycle operation)



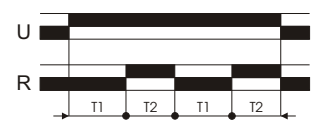
Timing T1 commences upon application of the supply voltage. At the end of time T1 the output contacts change their state and timing T2 commences. At the end of the timing range the output relays contacts change state to their rest position.

E2 function (single cycle operation)



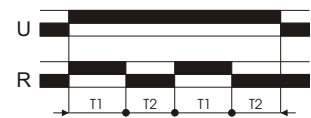
Inverse of E1 function. The output contacts change their state at the instant the supply voltage is applied until the timing T1 is completed. At the end of T1 the output contacts change state to their rest position and timing T2 commences. The output contacts change state at the end of time T2 and maintain this state while supply voltage is present.

E3 function (cyclic operation)



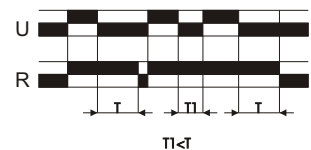
Timing T1 commences upon application of the supply voltage. At the end of time T1 the output relay is energised, timing T2 commences. At the end of the timing range T2 the output relays contacts change state to their rest position. The cycle repeats while supply voltage is present.

E4 function (cyclic operation)



Inverse of E3 function. The output contacts change their state at the instant the supply voltage is applied until timing T1 is completed. At the end of time T1 the output contacts change state to their rest position and time T2 commences. The cycle repeats while supply voltage is present.

F function (time delay drop-off on supply voltage interruption)



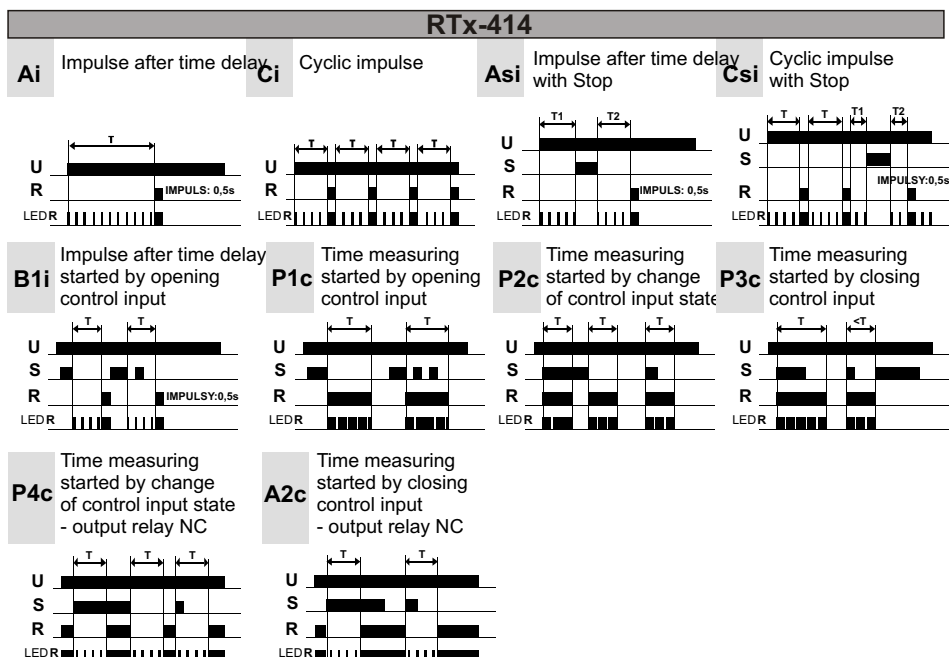
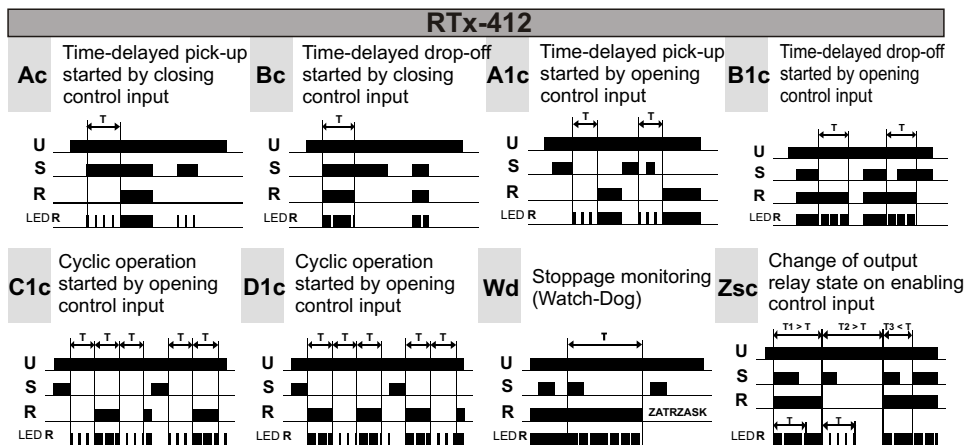
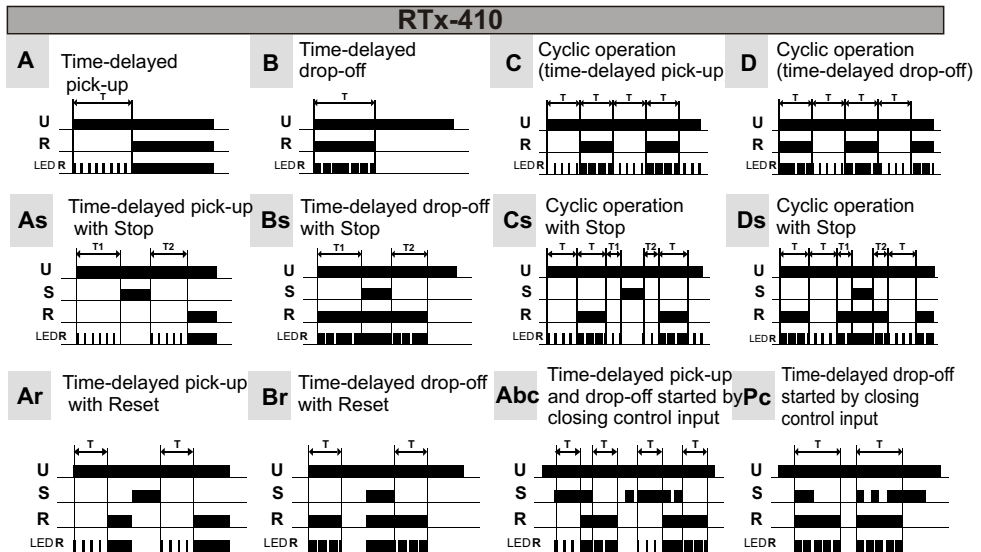
The output contacts change their state upon application of the supply voltage. Timing commences upon the interruption of the supply voltage. At the end of the timing range the output relay contacts change state to their rest position.

Modes of Operation Diagrams

Key to read diagrams:

- U** - supply voltage,
- S** - control contact (high state - B1 and A1 shorted),
- T** - time setting,

- LED R** - lighting of red LED indicator
- ||||** ("R" on the front panel) - short pulses of LED - the output relay is not energised; elapsing time is measured, until output relay is energised,



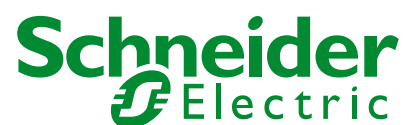


NOTES

Large empty rounded rectangular box for notes.



Schneider Electric Energy Poland Sp. z o.o.
Zakład Automatyki i Systemów Elektroenergetycznych
58-160 Świebodzice, ul. Strzegomska 23/27
Tel. +48 (74) 854 84 10, Fax +48 (74) 854 86 98
ref.swiebodzice@schneider-electric.com
www.schneider-electric.com
www.schneider-energy.pl



X-ON Electronics

Largest Supplier of Electrical and Electronic Components

Click to view similar products for [Timers](#) category:

Click to view products by [Schneider](#) manufacturer:

Other Similar products are found below :

[79237785](#) [H3DS-GL AC24-230/DC24-48](#) [H5AN-4DM DC12-24](#) [H5CN-XDNM AC100-240](#) [H5CN-YAN AC100-240](#) [H5CX-L8S-N AC100-240](#) [H3AMNSCAC100240](#) [H3AM-NSR-B AC100-240](#) [H3CA-8 DC12](#) [H3CR-A8-302 DC24](#) [H3CR-F AC24-48/DC12-48](#) [H3CR-G8EL AC200-240](#) [H5AN-4D DC12-24](#) [81506944](#) [88225029](#) [H5S-YB4-X](#) [H3CR-A-301 AC100-240/DC100-125](#) [H3CR-AS AC24-48/DC12-48](#) [H3DK-GE AC240-440](#) [H3RN-2 AC24](#) [H3RN-21 AC24](#) [H3CR-H8RL AC/DC24 M](#) [H3CR-H8RL AC100-120 S](#) [H3CR-G8EL-31 AC100-120](#) [H3CR-H8RL AC100-120 M](#) [H3CR-HRL AC100-120 M](#) [H3CR-A8-301 AC24-48/DC12-48](#) [H3CR-H8RL AC/DC24 S](#) [H7AN-2D DC12-24](#) [H5CN-XANS DC12-48](#) [H3CA-8 DC110](#) [H7AN-W4DM DC12-24](#) [H7AN-4DM DC12-24](#) [H7AN-4D DC12-24](#) [H7AN-RT6M AC100-240](#) [H3CA-8H AC200/220/240](#) [MTR17-BA-U240-116](#) [PM4HSDM-S-AC240VS](#) [PM4HSDM-S-AC240VSW](#) [PO-405](#) [600DT-CU](#) [H3Y-2-B DC24 30S](#) [PM4HF8-M-DC24V](#) [PM4HS-H-DC12VSW](#) [H3Y-2-B AC100-120 10S](#) [H3Y-2-B AC100-120 30S](#) [H3C-R](#) [H3CR-A8-301 24-48AC/12-48DC](#) [H3CR-A8E 24-48AC/DC](#) [H3CR-F8 100-240AC/100-125DC](#)