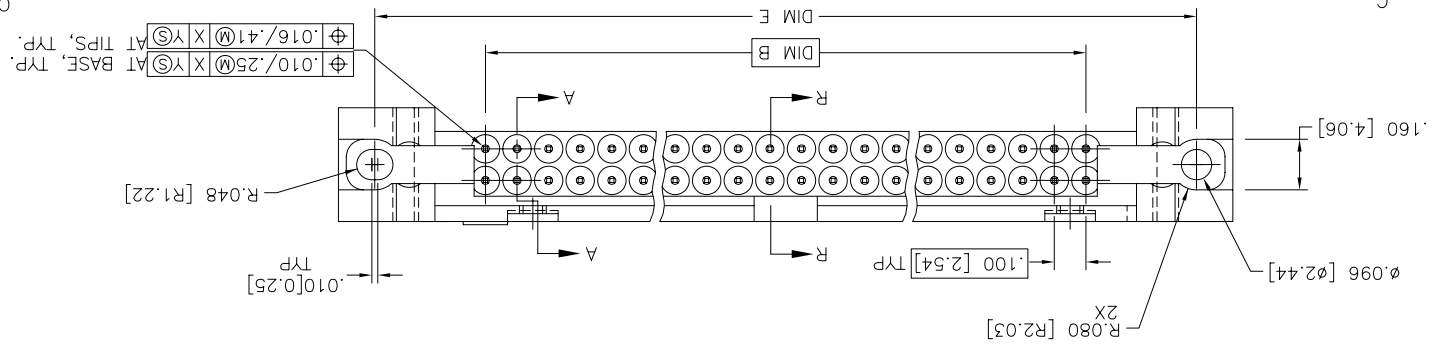
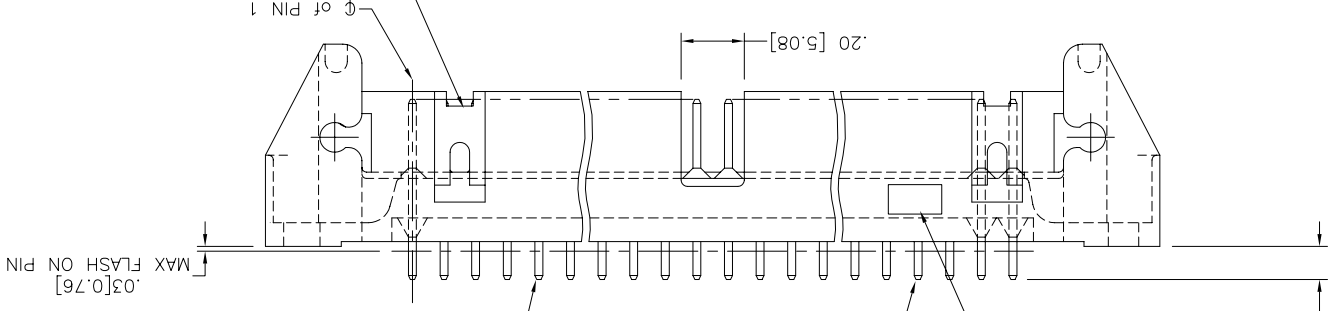


PRODUCT NUMBER
SEE TABLE

NOTE 4
DIM "D" ±.010 [±0.25]
.025±.001 [±.04±.03]
ROUND or SQUARE, SEE TABLE
MAX FLASH ON PIN
.03 [0.76]



16-508-036,
16-508-002, 16-508-131

mat'l. code		surface		ISO 1302		ISO 406		ISO 1101	
tolerances unless otherwise specified		tolerances unless otherwise specified		XXXX.000/XXXX.001		XXXX.000/XXXX.001		XXXX.000/XXXX.001	
ltr	ecn no	dr	date	angles	inclin	scale 2:1			
H	V91075	EPK	5/6/99			INCH/MM			
J	V00871	EPK	4/11/00			QUICKIE HDR, STRIGHT			
K	V01240	MPF	5/11/00	0° F.2		3 WALL LATCH & EJECT			
L	V06-0343	GIP	3/24/03			product family			
M	N05-0094	MHT	4/4/05	engr	M. SMIK	QKE. HDR.			
N	M06-0282	ACS	7/22/06	chr	M. SMYK	sheet 1 of 8 size			
P	M07-0366	MHT	8/17/07	pppd	M. SMYK	66207			
sheet revision		P P P P P P P P		11/15/90		11/15/90		11/15/90	
index		sheet		1		2		3	

D

Copyright FCI

C

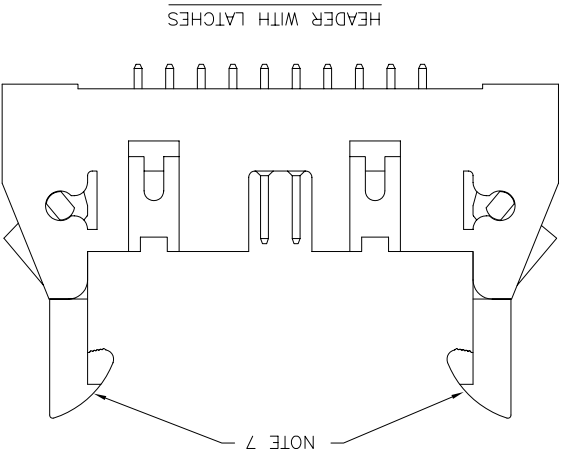
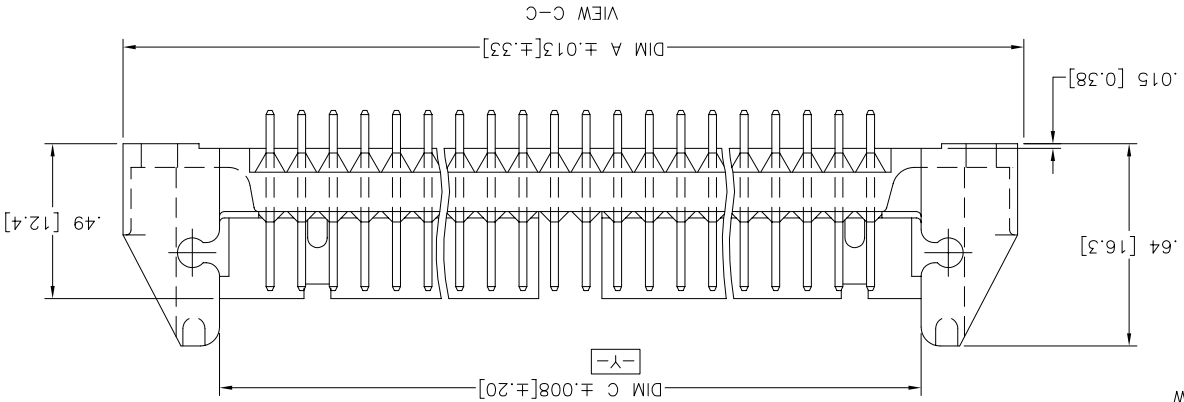
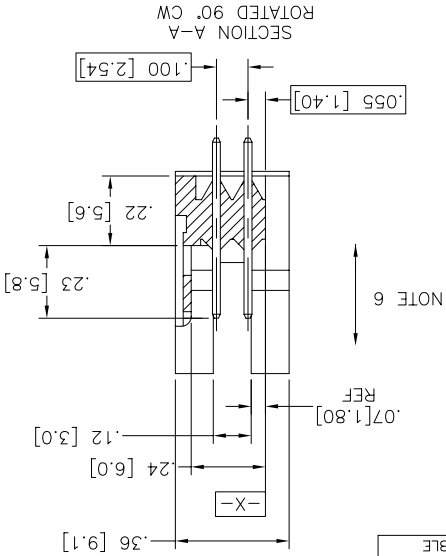
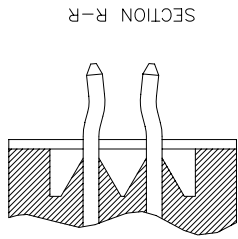
FCIconnect.com

B

A

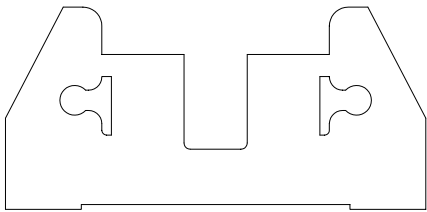
C

PRODUCT NUMBER
SEE TABLE

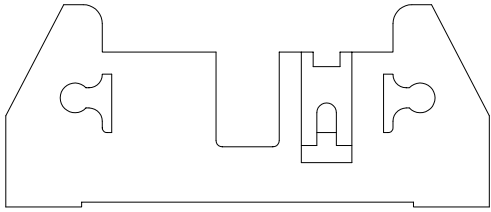


mat'l. code		ISO 1302	ISO 406	ISO 1101	tolerance	projection	product family	QKE. HDR.
tr	ecn no	dr	date	tolerances unless otherwise specified	XXF.01/XXF.03	INCH/MM	title	3 WALL LATCH, STRIGHT
P	angles	linegr	XXXX.000/XXXX.013	XXXX.000/XXXX.051	scale 2:1	type	Product Customer Drawing	
	dr	J. SHREINER	11/15/90		dwg no	66207	sheet 2 of 8 size	A3
	engr	M. SMYK	11/15/90					
	chr	M. SMYK	11/15/90					
	pppd	M. SMYK	11/15/90					
sheet	revision							
index	sheet							

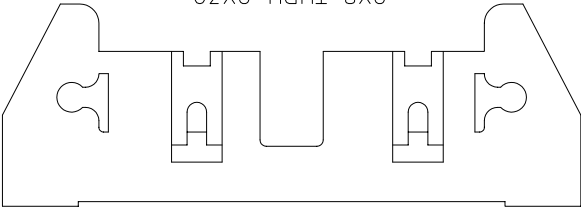
PRODUCT NUMBER
SEE TABLE



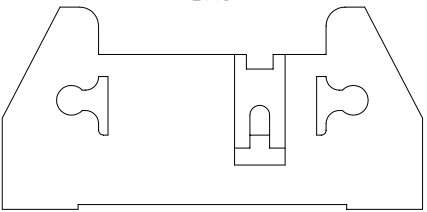
STYLE A
2X5



STYLE C
2X7



2X8 THRU 2X30
STYLE D
2X10 SHOWN



STYLE B
2X5

1
2
3

4
5
6

1
2
3

4
5
6

- NOTES:
- MOLDING MATERIAL: GLASS FILLED POLYESTER FLAME RETARDANT PER UL-94V-0. COLOR: BLUE
 - PIN MATERIAL: PHOS BRONZE
 - MAX DRAFT PERMISSIBLE ON ALL SURFACES UNLESS OTHERWISE SPECIFIED.
 - LOGO LOCATED APPROX. AS SHOWN.
 - RECOMMENDED MOUNTING SCREW: #2-56 FILLISTER HD. MACH. SCREW 3/8 LG. FOR 1/16" AND 3/32" BOARD. 7/16" LG. FOR 1/8" BOARD.
 - 4 LBS/2.3 KG MIN PIN RETENTION IN BOTH DIRECTIONS. (SEE TABLE)
 - HEADER WITH LOW PROFILE (LP) LATCHES (SEE TABLE) ARE DESIGNED TO BE USED WITH FEMALE CONNECTORS WITHOUT STRAIN RELIEF. HEADERS WITH (STD) LATCHES (SEE TABLE) ARE DESIGNED TO BE USED WITH FEMALE CONNECTORS WITH STRAIN RELIEF.
 - PLATING ON LEAD-IN PORTION OF PIN IS MANUFACTURING OPTION. SPECIAL LATCH HEIGHT TO BE USED WITH CARD CONNECTOR APPLICATION.
 - RETENTION FEATURE AVAILABLE ON CONNECTORS WITH .105/2.67, .120/3.05, OR .150/3.81 TAIL LENGTH RETENTIVE P/N. INCLUDES THE LETTER "R" AFTER THE EXISTING P/N. EXAMPLE: 66207-xxx FOR EXISTING P/N. 66207-xxxx FOR RETENTIVE P/N. SEE SECTION R-R ON SH. 2.
 - ADD "L" SUFFIX AT THE END OF PART NUMBER FOR LEAD FREE. THE HOUSING WILL WITHSTAND EXPOSURE TO 260°C PEAK TEMPERATURE FOR 15 SECONDS IN A WAVE SOLDER APPLICATION WITH A 1.5mm MINIMUM THICK CIRCUIT BOARD. SEE APPLICATION NOTES/PROCEDURES IF THEY ARE AVAILABLE.
 - THIS PRODUCT MEETS EUROPEAN UNION DIRECTIVES AND OTHER COUNTRY REGULATION AS DESCRIBED IN GS-22-008.
 - PLATING OPTIONS: MAY BE EITHER GOLD OR GXT PLATED AT MANUFACTURER'S OPTION.

mat'l. code		surface		ISO 1302		tolerance		ISO 406		ISO 1101		projection		product family		QKE. HDR.	
tr ecn no		dr		date		tolerances unless otherwise specified		XX.F.01/XX.F.03		INCH/MM		title		3 WALL LATCH, STRIGHT		QKE. HDR.	
angles		inclin		XXXX.000/XXXX.013		XXXX.000/XXXX.051		scale 2:1		dwg no		66207		A3		sheet revision	
sheet		revision		index		sheet		index		sheet		revision		index		sheet	

1
2
3

4
5
6

1
2
3

4
5
6

PRODUCT NO	SIZE	DIM A	DIM B	DIM C	DIM D	DIM E	LATCHES NOTE 7	STYLE	PIN SHAPE	PIN PLATING (NOTE 14)
66207-001	2 X 5	1.530/33.78	.400/10.16	.720/18.29	.105/2.67	1.100/27.94	NO	A	RND	30µ"/0.76µ Au OR GXT OVER 50µ"/1.27µ Ni
-002	2 X 7	1.530/38.86	.600/15.24	.920/23.37		1.300/33.02	NO	C		
-003	2 X 8	1.630/41.40	.700/17.78	1.020/25.91		1.400/35.56	NO	D		
-004	2 X 10	1.830/46.48	.900/22.86	1.220/30.99		1.600/40.64	NO	D		
-005	2 X 13	2.130/54.10	1.200/30.48	1.520/38.61		1.900/48.26	NO	D		
-006	2 X 17	2.530/64.26	1.600/40.64	1.920/48.77		2.300/58.42	NO	D		
-007	2 X 20	2.830/71.88	1.900/48.26	2.220/56.39		2.600/66.04	NO	D		
-008	2 X 25	3.330/84.58	2.400/60.96	2.720/69.09		3.100/78.74	NO	D		
-009	2 X 30	3.830/97.28	2.900/73.66	3.220/81.79		3.600/91.44	NO	D		
-010	2 X 5	1.530/33.78	.400/10.16	.720/18.29		1.100/27.94	STD	A		
-011	2 X 7	1.530/38.86	.600/15.24	.920/23.37		1.300/33.02	NO	C		
-012	2 X 8	1.630/41.40	.700/17.78	1.020/25.91		1.400/35.56	NO	D		
-013	2 X 10	1.830/46.48	.900/22.86	1.220/30.99		1.600/40.64	NO	D		
-014	2 X 13	2.130/54.10	1.200/30.48	1.520/38.61		1.900/48.26	NO	D		
-015	2 X 17	2.530/64.26	1.600/40.64	1.920/48.77		2.300/58.42	NO	D		
-016	2 X 20	2.830/71.88	1.900/48.26	2.220/56.39		2.600/66.04	NO	D		
-017	2 X 25	3.330/84.58	2.400/60.96	2.720/69.09		3.100/78.74	NO	D		
-018	2 X 30	3.830/97.28	2.900/73.66	3.220/81.79		3.600/91.44	NO	D		
-019	2 X 5	1.530/33.78	.400/10.16	.720/18.29		1.100/27.94	LP	A		
-020	2 X 7	1.530/38.86	.600/15.24	.920/23.37		1.300/33.02	NO	C		
-021	2 X 8	1.630/41.40	.700/17.78	1.020/25.91		1.400/35.56	NO	D		
-022	2 X 10	1.830/46.48	.900/22.86	1.220/30.99		1.600/40.64	NO	D		
-023	2 X 13	2.130/54.10	1.200/30.48	1.520/38.61		1.900/48.26	NO	D		
-024	2 X 17	2.530/64.26	1.600/40.64	1.920/48.77		2.300/58.42	NO	D		
-025	2 X 20	2.830/71.88	1.900/48.26	2.220/56.39		2.600/66.04	NO	D		
-026	2 X 25	3.330/84.58	2.400/60.96	2.720/69.09		3.100/78.74	NO	D		
-027	2 X 30	3.830/97.28	2.900/73.66	3.220/81.79		3.600/91.44	NO	D		
-028	2 X 5	1.530/33.78	.400/10.16	.720/18.29		1.100/27.94	STD	B		
-029	2 X 5	1.530/33.78	.400/10.16	.720/18.29		1.100/27.94	NO	B		
-030	2 X 5	1.530/33.78	.400/10.16	.720/18.29	.105/2.67	1.100/27.94	LP	B		
-031	2 X 5	1.530/33.78	.400/10.16	.720/18.29	.150/3.81	1.100/27.94	NO	A		
-032	2 X 7	1.530/38.86	.600/15.24	.920/23.37		1.300/33.02	NO	C		
-033	2 X 8	1.630/41.40	.700/17.78	1.020/25.91		1.400/35.56	NO	D		
-034	2 X 10	1.830/46.48	.900/22.86	1.220/30.99		1.600/40.64	NO	D		
-035	2 X 13	2.130/54.10	1.200/30.48	1.520/38.61		1.900/48.26	NO	D		
66207-036	2 X 17	2.530/64.26	1.600/40.64	1.920/48.77	.150/3.81	2.300/58.42	NO	D	RND	30µ"/0.76µ Au OR GXT OVER 50µ"/1.27µ Ni

mat'l. code		ISO 1502		surface		tolerance		ISO 1101		projection		product family	
itr		ecn no		dr		date		tolerances unless otherwise specified		XXF.01/XXF.03		P	
angles		indeg		XXXX.000/XXXX.013		0°±.2		XXXX.000/XXXX.051		scale 2:1		title	
dr		J. SHREINER		11/15/90		engr		M. SMIK		11/15/90		dwg no	
chr		M. SMYK		11/15/90		pppd		M. SMYK		11/15/90		sheet 4 of 8 size	
sheet		revision		sheet		index		sheet		type		Product Customer Drawing	

3 WALL LATCH & EJECT
 INCH/MM
 QUICKIE HDR, STRIGHT
 A3
 66207

6 5 4 3 2 1 6 5 4 3 2 1 6 5 4 3 2 1



PRODUCT NO	SIZE	DIM A	DIM B	DIM C	DIM D	DIM E	LATCH NOTE 7	STYLE	PIN SHAPE	PIN PLATING (NOTE 14)
66207-037	2 X 20	2.830/71.88	1.900/48.26	2.220/56.39	1.500/3.81	2.600/76.04		D	RND	30µ"/0.76µ Au OR GXT OVER 50µ"/1.27µ Ni
-038	2 X 25	3.330/84.58	2.400/60.96	2.720/69.09		3.100/78.74		D		
-039	2 X 30	3.830/97.28	2.900/73.66	3.220/81.79		3.600/91.44		D		
-040	2 X 5	1.330/33.78	400/10.16	.720/18.29		1.100/27.94		A		
-041	2 X 7	1.530/38.86	600/15.24	.920/23.37		1.300/33.02		C		
-042	2 X 8	1.630/41.40	700/17.78	1.020/25.91		1.400/35.56		D		
-043	2 X 10	1.830/46.48	900/22.86	1.220/30.99		1.600/40.64		D		
-044	2 X 13	2.130/54.10	1.200/30.48	1.520/38.61		1.900/48.26		D		
-054	2 X 17	2.530/64.26	1.600/40.64	1.920/48.77		2.300/58.42		D		
-055	2 X 20	2.830/71.88	1.900/48.26	2.220/56.39		2.600/76.04		D		
-056	2 X 25	3.330/84.58	2.400/60.96	2.720/69.09		3.100/78.74		D		
-057	2 X 30	3.830/97.28	2.900/73.66	3.220/81.79		3.600/91.44		D		
-058	2 X 5	1.330/33.78	400/10.16	.720/18.29		1.100/27.94		B		
-059	2 X 5	1.330/33.78	400/10.16	.720/18.29		1.100/27.94		B		
-060	2 X 5	1.330/33.78	400/10.16	.720/18.29		1.100/27.94		B	RND	
-061	2 X 5	1.330/33.78	400/10.16	.720/18.29	675/17.15	1.100/27.94		A	SQ	
-062	2 X 7	1.530/38.86	600/15.24	.920/23.37		1.300/33.02		C		
-063	2 X 8	1.630/41.40	700/17.78	1.020/25.91		1.400/35.56		D		
-064	2 X 10	1.830/46.48	900/22.86	1.220/30.99		1.600/40.64		D		
-065	2 X 13	2.130/54.10	1.200/30.48	1.520/38.61		1.900/48.26		D		
-066	2 X 17	2.530/64.26	1.600/40.64	1.920/48.77		2.300/58.42		D		
-067	2 X 20	2.830/71.88	1.900/48.26	2.220/56.39		2.600/76.04		D		
-068	2 X 25	3.330/84.58	2.400/60.96	2.720/69.09		3.100/78.74		D		
-069	2 X 30	3.830/97.28	2.900/73.66	3.220/81.79		3.600/91.44		D		
-070	2 X 5	1.330/33.78	400/10.16	.720/18.29		1.100/27.94		A		
-071	2 X 7	1.530/38.86	600/15.24	.920/23.37		1.300/33.02		C		
66207-072	2 X 8	1.630/41.40	700/17.78	1.020/25.91		1.400/35.56		D		

mat'l. code		surface		tolerance		projection		product family	
ISO 1302		ISO 1101		ISO 406		ISO 1101		QKE. HDR.	
tr echn no		date		tolerances unless otherwise specified		XX.F.01/XX.F.03		title	
dr		engles		linegr		XXXX.D05/XXXX.013		3 WALL LATCH, STRIGHT	
0".F.2"		XXXX.F.0020/XXXX.F.0051		scale 2:1		INCH/MM		Q WALL LATCH & EJECT	
sheet		revision		sheet		revision		type	
pppd M. SMYK 11/15/90		chr M. SMYK 11/15/90		engr M. SMYK 11/15/90		dr J. SHREINER 11/15/90		dwg no	
66207		66207		66207		66207		sheets of 8 size	
Product Customer Drawing		Product Customer Drawing		Product Customer Drawing		Product Customer Drawing		Product Customer Drawing	

PRODUCT NO	NOTE 11	SIZE	DIM A	<input type="checkbox"/> DIM B	DIM C	DIM D	DIM E	LATCH NOTE 7	STYLE	PIN SHAPE	PIN
66207-073		2 X 10	1.830/46.48	.900/22.86	1.220/30.99	.675/17.15	1.600/40.64	STD	D	SQ	30µ"/0.76µ Au OR GXT OVER 50µ"/1.27µ Ni
-074		2 X 13	2.130/54.10	1.200/30.48	1.520/38.61	1.900/48.26	1.900/48.26	STD	D	SQ	
-075		2 X 17	2.530/64.26	1.600/40.64	1.920/48.77	2.600/76.04	2.300/58.42	STD	D	SQ	
-076		2 X 20	2.830/71.88	1.900/48.26	2.220/56.39	2.720/69.09	2.600/76.04	STD	D	SQ	
-077		2 X 25	3.330/84.58	2.400/60.96	2.720/69.09	3.100/78.74	3.100/78.74	STD	D	SQ	
-078		2 X 30	3.830/97.28	2.900/73.66	3.220/81.79	3.600/91.44	3.600/91.44	STD	B	SQ	
-079		2 X 5	1.330/33.78	400/10.16	.720/18.29	1.100/27.94	1.100/27.94	STD	B	SQ	
-080		2 X 7	1.530/38.86	.920/23.37	1.300/33.02	1.400/35.56	1.400/35.56	STD	C	SQ	
-081		2 X 8	1.630/41.40	.700/17.78	1.020/25.91	1.400/35.56	1.400/35.56	STD	D	SQ	
-082		2 X 10	1.830/46.48	.900/22.86	1.220/30.99	1.600/40.64	1.600/40.64	STD	D	SQ	
-083		2 X 13	2.130/54.10	1.200/30.48	1.520/38.61	1.900/48.26	1.900/48.26	STD	D	SQ	
-084		2 X 17	2.530/64.26	1.600/40.64	1.920/48.77	2.300/58.42	2.300/58.42	STD	D	SQ	
-085		2 X 20	2.830/71.88	1.900/48.26	2.220/56.39	2.600/76.04	2.600/76.04	STD	D	SQ	
-086		2 X 25	3.330/84.58	2.400/60.96	2.720/69.09	3.100/78.74	3.100/78.74	STD	D	SQ	
-087		2 X 30	3.830/97.28	2.900/73.66	3.220/81.79	3.600/91.44	3.600/91.44	STD	D	SQ	
-088		2 X 5	1.330/33.78	400/10.16	.720/18.29	1.100/27.94	1.100/27.94	STD	B	SQ	
-089		2 X 5	1.330/33.78	400/10.16	.720/18.29	1.100/27.94	1.100/27.94	STD	B	SQ	
-090		2 X 5	1.330/33.78	400/10.16	.720/18.29	1.100/27.94	1.100/27.94	STD	B	SQ	
-091		2 X 12	2.030/45.56	1.100/27.94	1.420/36.07	1.800/45.72	1.800/45.72	STD	D	SQ	
-092					.105/2.67			STD			
-093					.105/2.67			STD			
-094					.150/3.81			NO			
-095					.150/3.81			STD			
-096					.150/3.81			STD			
-097					.675/17.15			NO			
-098					.675/17.15			STD			
-099		2 X 12	2.030/45.56	1.100/27.94	1.420/36.07	1.800/45.72	1.800/45.72	STD		SQ	
-100		2 X 15	2.330/59.18	1.400/35.56	1.720/43.69	2.100/53.34	2.100/53.34	NO		SQ	
-101					.105/2.67			STD		RND	
-102					.105/2.67			STD		RND	
-103					.150/3.81			NO			
-104					.150/3.81			STD			
-105					.150/3.81			LP			
-106					.675/17.15			NO			
-107					.675/17.15			STD			
66207-108		2 X 15	2.330/59.18	1.400/35.56	1.720/43.69	2.100/53.34	2.100/53.34	LP		SQ	30µ"/0.76µ Au OR GXT OVER 50µ"/1.27µ Ni

mat'l. code		ISO 1302		surface tolerance		ISO 1101		ISO 406		tolerance unless otherwise specified		XXXX.01/XX.03		INCH/MM		scale 2:1		J. SHREINER 11/15/90		dr		M. SMIK 11/15/90		engr		M. SMYK 11/15/90		chr		M. SMYK 11/15/90		pppd		M. SMYK 11/15/90			
itr		ecn no		dr		date		angles		linegr		XXXX.005/XX.013		XXXX.0020/XX.0051		0"±.2"		J. SHREINER 11/15/90		dr		M. SMIK 11/15/90		engr		M. SMYK 11/15/90		chr		M. SMYK 11/15/90		pppd		M. SMYK 11/15/90			
P		sheet		revision		index		sheet		revision		index		sheet		revision		index		sheet		revision		index		sheet		revision		index		sheet		revision		index	
title		3 WALL LATCH & EJECT		QUICKIE HDR, STRIGHT		product family		OKE. HDR.		projection		ISO 1101		XXXX.01/XX.03		INCH/MM		scale 2:1		J. SHREINER 11/15/90		dr		M. SMIK 11/15/90		engr		M. SMYK 11/15/90		chr		M. SMYK 11/15/90		pppd		M. SMYK 11/15/90	
product family		OKE. HDR.		projection		ISO 1101		XXXX.01/XX.03		INCH/MM		scale 2:1		J. SHREINER 11/15/90		dr		M. SMIK 11/15/90		engr		M. SMYK 11/15/90		chr		M. SMYK 11/15/90		pppd		M. SMYK 11/15/90		pppd		M. SMYK 11/15/90			
type		Product Customer Drawing		type		Product Customer Drawing		type		Product Customer Drawing		type		Product Customer Drawing		type		Product Customer Drawing		type		Product Customer Drawing		type		Product Customer Drawing		type		Product Customer Drawing		type		Product Customer Drawing			
dwg no		66207		dwg no		66207		dwg no		66207		dwg no		66207		dwg no		66207		dwg no		66207		dwg no		66207		dwg no		66207		dwg no		66207			
sheets of 8 size		A3		sheets of 8 size		A3		sheets of 8 size		A3		sheets of 8 size		A3		sheets of 8 size		A3		sheets of 8 size		A3		sheets of 8 size		A3		sheets of 8 size		A3		sheets of 8 size		A3			

PRODUCT NO	NOTE 11	SIZE	DIM A	DIM B	DIM C	DIM D	DIM E	LATCH	STYLE	PIN SHAPE	PIN OMIT
66207-109		2 X 22	3.030/76.96	2.100/53.34	2.420/61.47	.105/2.67	2.800/81.12	NO	D	RND	30µ"/0.76µ Au OR GXT OVER 50µ"/1.27µ Ni
-110						.105/2.67		STD			
-111						.105/2.67		LP			
-112						.150/3.81		NO			
-113						.150/3.81		STD			
-114						.150/3.81		LP			
-115						.675/17.15		NO			
-116						.675/17.15		STD			
-117		2 X 22	3.030/76.96	2.100/53.34	2.420/61.47	.675/17.15	2.800/81.12	LP	SQ	30µ"/0.76µ Au OR GXT OVER 50µ"/1.27µ Ni	
-118		2 X 17	2.530/64.26	1.600/40.64	1.920/48.77	.150/3.81	2.300/58.42	RND			
-119		2 X 17	2.530/64.26	1.600/40.64	1.920/48.77	.150/3.81	2.300/58.42	RND			
-120		2 X 10	1.830/46.48	.900/22.86	1.220/30.99	.105/2.67	1.600/40.64	NOTE 9	D	RND	30µ"/0.76µ Au OR GXT OVER 50µ"/1.27µ Ni
-121		2 X 10	1.830/46.48	.900/22.86	1.220/30.99	.150/3.81	1.600/40.64	NOTE 9	D	RND	
-122		2 X 5	1.330/33.78	.400/10.16	.720/18.29	.105/2.67	1.100/27.94	NOTE 9	B	SQ	
-123		2 X 5	1.330/33.78	.400/10.16	.720/18.29	.105/2.67	1.100/27.94	NO	B	SQ	
-124		2 X 10	1.830/46.48	.900/22.86	1.220/30.99		1.600/40.64	NO	D		
-125		2 X 25	3.330/84.58	2.400/60.96	2.720/69.09		3.100/78.74	NOTE 9	D		
-126		2 X 25	3.330/84.58	2.400/60.96	2.720/69.09		3.100/78.74	NO	D		
-127		2 X 5	1.330/33.78	.400/10.16	.720/18.29		1.100/27.94	NO	A		
-128		2 X 5	1.330/33.78	.400/10.16	.720/18.29		1.100/27.94	NOTE 9	A		
-129		2 X 7	1.530/38.86	.600/15.24	.920/23.37		1.300/33.02	NO	C		
-130		2 X 7	1.530/38.86	.600/15.24	.920/23.37		1.300/33.02	NOTE 9	C		
-131		2 X 8	1.630/41.40	.700/17.78	1.020/25.91		1.400/35.56	NO	D		
-132		2 X 8	1.630/41.40	.700/17.78	1.020/25.91		1.400/35.56	NOTE 9	D		
-133		2 X 13	2.130/54.10	1.200/30.48	1.520/38.61		1.900/48.26	NO			
-134		2 X 13	2.130/54.10	1.200/30.48	1.520/38.61		1.900/48.26	NOTE 9			
-135		2 X 17	2.530/64.26	1.600/40.64	1.920/48.77		2.300/58.42	NO			
-136		2 X 17	2.530/64.26	1.600/40.64	1.920/48.77		2.300/58.42	NOTE 9			
-137		2 X 20	2.830/71.88	1.900/48.26	2.220/56.39		2.600/66.04	NO			
-138		2 X 20	2.830/71.88	1.900/48.26	2.220/56.39		2.600/66.04	NOTE 9			
-139		2 X 30	3.830/97.28	2.900/73.66	3.220/81.79		3.600/91.44	NO			
-140		2 X 30	3.830/97.28	2.900/73.66	3.220/81.79		3.600/91.44	NOTE 9	D	SQ	30µ"/0.76µ Au OR GXT OVER 50µ"/1.27µ Ni
-141		2 X 5	1.330/33.78	.400/10.16	.720/18.29	.105/2.67	1.100/27.94	LP	A		
-142		2 X 5	1.330/33.78	.400/10.16	.720/18.29	.120/27.94	1.100/27.94	LP	A		
-143		2 X 5	1.330/33.78	.400/10.16	.720/18.29	.105/2.67	1.100/27.94	NO	A		
66207-144		2 X 5	1.330/33.78	.400/10.16	.720/18.29	.120/27.94	1.100/27.94	RND	A		15µ"/0.38µ Au OR GXT OVER 50µ"/1.27µ Ni

mat'l. code		surface		tolerance		projection		product family	
ISO 1302		ISO 1302		ISO 1302		ISO 406		OKE. HDR.	
date		tolerances unless otherwise specified		XXXX.01/XXXX.03		INCH/MM		title	
dr		angles		linegr		scale 2:1		3 WALL LATCH & EJECT	
dr		engr		chr		M. SMYK		66207	
sheet		revision		sheet		revision		type	
sheet		revision		sheet		revision		Product Customer Drawing	

6 5 4 3 2 1 6 5 4 3 2 1 6 5 4 3 2 1 6 5 4 3 2 1

PRODUCT NO	NOTE 11	DIM A	DIM B	DIM C	DIM D	DIM E	LATCH	STYLE	PIN SHAPE	PIN PLATING (NOTE 14)	PIN OMIT
66207-145	2 X 5	1.330/33.78	.400/10.16	.720/18.29	.120/27.94	1.100/27.94	NOTE 9	A	RND	15µ"/0.38µ Au OR GXT OVER 50µ"/1.27µ Ni	10
66207-146	2 X 30	3.830/97.28	2.900/73.66	3.220/81.79	.150/3.81	3.600/91.44	NOTE 9	D	RND	30µ"/0.76µ Au OR GXT OVER 50µ"/1.27µ Ni	-

mat'l. code	surface	ISO 1302	tolerance	ISO 406	ISO 1101	projection	product family	QKE. HDR.
ltr ecn no	dr	date	tolerances unless otherwise specified	XXXX.01/XX.03	XXXX.005/XX.013	INCH/MM	title	3 WALL LATCH & EJECT
angles	indeg	0°±2'	XXXX.0020/XXXX.0051	scale 2:1	scale 2:1	scale 2:1	dwg no	66207
	dr	J. SHREINER	11/15/90	engr	M. SMYK	11/15/90	sheet	of 8 size
	chr	M. SMYK	11/15/90	pppd	M. SMYK	11/15/90	revision	
	sheet	index	revision	sheet	index	revision	sheet	index

X-ON Electronics

Largest Supplier of Electrical and Electronic Components

Click to view similar products for [Headers & Wire Housings](#) category:

Click to view products by [FCT Electronics](#) manufacturer:

Other Similar products are found below :

[95000-104TRLF](#) [10135584-644402LF](#) [DF62W-EP2022PCA](#) [95000-106TRLF](#) [DF62W-2022SCA](#) [DF62W-EP2022PC](#) [2203348](#) [DF62W-2022SC](#) [1084018](#) [1029039](#) [1084017](#) [802-10-012-10-002000](#) [1112640](#) [1112639](#) [891-007-9SS-BST1T](#) [000-34000](#) [0008550134](#) [0009482033](#) [0009507031](#) [57102-F02-18ULF](#) [57102-S06-03LF](#) [57202-S52-04LF](#) [PCN6-15S-2.5E](#) [0039019024](#) [58102-G61-06LF](#) [582553-1](#) [0009485154](#) [0009508121](#) [009176003701906](#) [0022285053](#) [0050291907](#) [018731A](#) [LY20-4P-DT1-P1E-BR](#) [02.125.8002.8](#) [60101931](#) [60598-1 \(Cut Strip\)](#) [M1625-3R/100](#) [61062-3](#) [61082-181009](#) [CSU011177004](#) [636-1427](#) [638009-1](#) [641938-9](#) [641991-4](#) [644168-1](#) [644827-2](#) [647662-1](#) [65039-019ELF](#) [65692-001LF](#) [65781-018](#)