

# 1-Drehknöpfe

# Digital Turning Knobs

Technical Data	Technical Data
Umdrehungen: 10 · kein toter Gang	Number of turns: 10 · no backlash
1/500 Umdrehung	Readability: within 1/500 of a turn
Verstellbremse	Locking: Locking brake
Material: Thermoplast	Material: Thermoplastic

Mounting	Mounting
Abzeichnung unten	See mounting instruction below
Einbaufestigkeit: min. 13 mm / max. 20 mm	Shaft extension beyond panel: min. 13 mm / max. 20 mm
Einbauführung über der Befestigungsplatte: max. 4,1 mm	Bushing extension beyond panel: max. 4.1 mm

Verwendung: Für Präzisionspotentiometer oder anderen rotierenden Bauteilen.

For use with precision-potentiometers or other rotating devices.



Ø d	Art.-Nr.	1
6	6622.1001	1
6,35	6622.1000	1

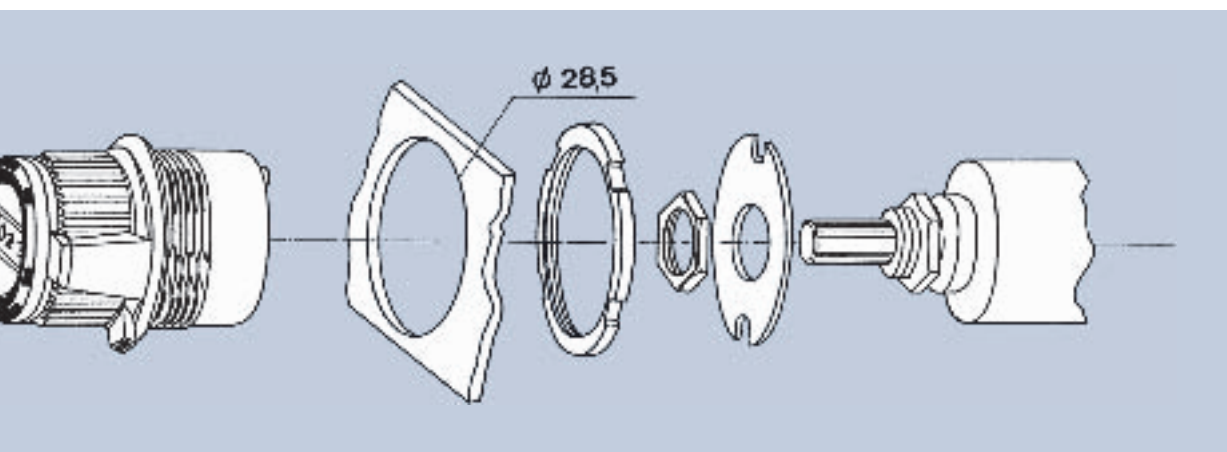
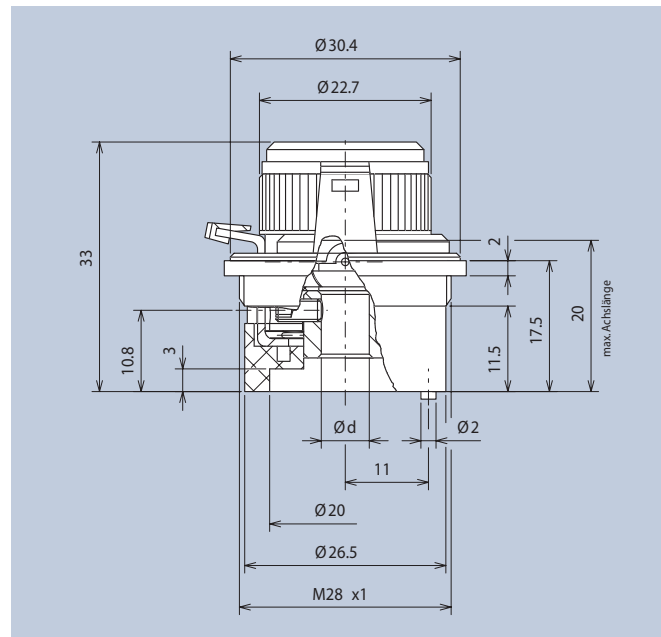


Abbildung · Mounting instruction

# g-Drehknöpfe

# Analog Turning Knobs

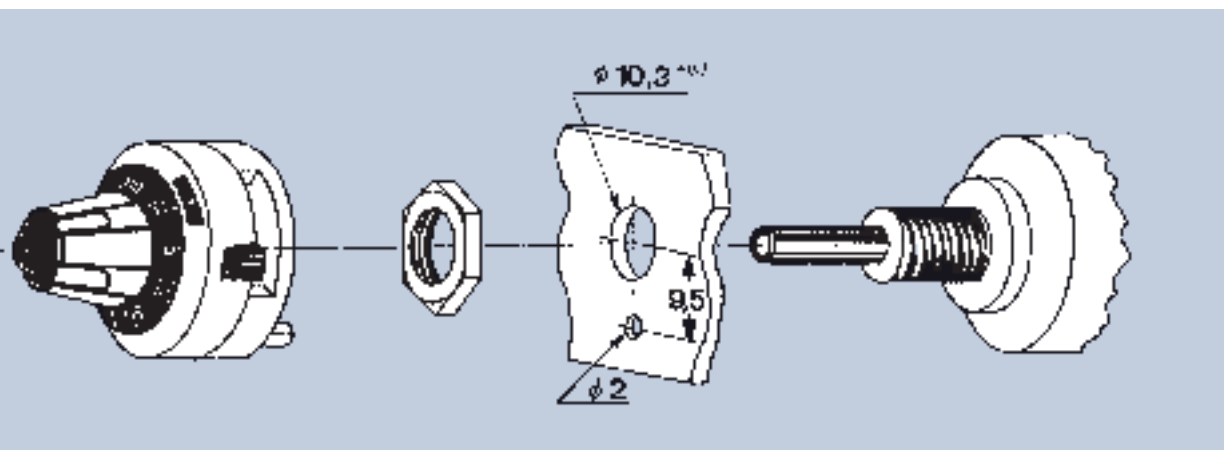
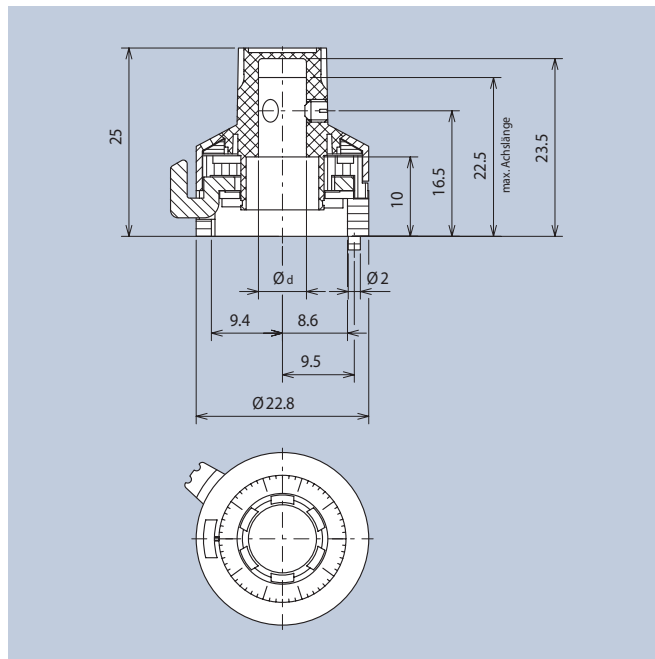
Technical Data	Technical Data
Number of turns: 15 · kein toter Gang	Number of turns: 15 · no backlash
Dial divisions: 50 je Umdrehung	Dial divisions: 50 per turn
Readability: 1/50 Umdrehung	Readability: within 1/50 of a turn
Locking: feststellbremse	Locking: Locking brake
Material: Thermoplast glasfaserverstärkt	Material: Glass-fibre reinforced Thermoplastic
Mounting	Mounting
See mounting instruction below	See mounting instruction below
Shaft extension beyond panel: min. 18 mm / max. 22,5 mm	Shaft extension beyond panel: min. 18 mm / max. 22.5 mm
Bushing extension beyond panel: max. 10 mm	Bushing extension beyond panel: max. 10 mm

Use with precision-potentiometers or other rotating devices.

For use with precision-potentiometers or other rotating devices.



Finish - Housing Ring	Ø d	Art.-Nr.
Finish matt-naturton-eloxiert Finish type mat-aluton-anodized	6,35	6623.1000
Finish matt-naturton-eloxiert Finish type mat-aluton-anodized	6	6623.1001
Finish hochglanz gedreht Finish type high-gloss turned	6,35	6623.1010
Finish hochglanz gedreht Finish type high-gloss turned	6	6623.1011
Finish matt-schwarz-eloxiert Finish type mat-black-anodized	6,35	6623.1030
Finish matt-schwarz-eloxiert Finish type mat-black-anodized	6	6623.1031



Mounting instruction

## X-ON Electronics

Largest Supplier of Electrical and Electronic Components

*Click to view similar products for [Knobs & Dials](#) category:*

*Click to view products by [Mentor](#) manufacturer:*

Other Similar products are found below :

[61-9028.20](#) [61-9028.9](#) [8529](#) [8573](#) [9-1437622-4](#) [11K5015-EMNB](#) [11K5019-ECNB](#) [11K5020-KLAB](#) [11K5028-JMNG](#) [11K5048-KMNB](#)  
[11K5014-EMNB](#) [11K5015-EMNG](#) [11K5019-EMNB](#) [11K5029-KMNG](#) [P400S-08-D6-N](#) [K6510](#) [KNSL500B1/8](#) [AL811BA18](#) [420031B18](#)  
[5006](#) [KB700BA1/4](#) [KS700B14](#) [411](#) [4-1437621-3](#) [420065A14AL](#) [5149A](#) [028-1-11](#) [52-928.20](#) [52-928.60](#) [52-928.9](#) [8517](#) [8546](#) [8570](#) [8572](#)  
[H-516-3A](#) [P861H-0X-S6](#) [8544](#) [11K5014-JMNG](#) [11K5014-KMNG](#) [11K5014-ECNG](#) [5700E](#) [KA500B18](#) [KFS600B14](#) [KN900AB14](#)  
[KFS500B14](#) [KNS501B18](#) [PKD60B1018](#) [PK1100B18](#) [PKES140B14](#) [PKES150B14](#)