

# RELAYS AND CONTACTORS

## General Purpose Relays-Type 91

Type 91



STANCOR PART NUMBER	Pole Form	Coil Voltage	Circuit Rating Terminals		Power Rating		DIMENSIONS-INCHES			Weight (oz.)	Agency * Certification
			1-2-3	4-5-6	Inductive	Resistive	L	Case W	H		
A 91-901	DPDT	24	Power		12 Amp. Continuous 60 Amp. Inrush 125 V.A.C.	15 Amp. 277 V.A.C. Max.	1.90	2.10	2.40	6.0	UL/CSA
91-902	DPDT	120	Power				1.90	2.10	2.40	6.0	UL/CSA
91-903	DPDT	208/240	Power				1.90	2.10	2.40	6.0	UL/CSA

\* Agency Certification Note: UL Recognized (File E12139)  
CSA Certified (File LR 13360)

For schematic diagram and outline drawings refer to page 63.

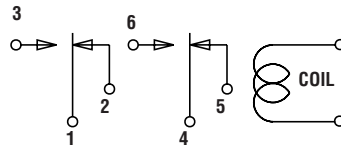


### Engineering Design Data

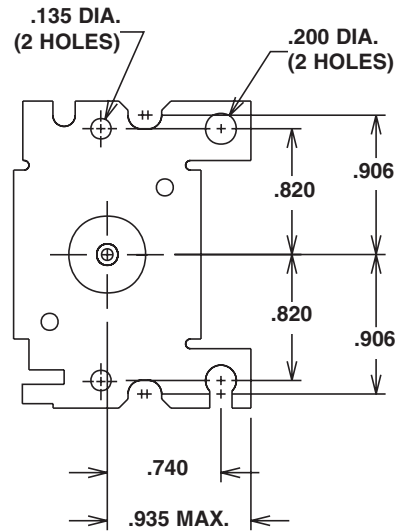
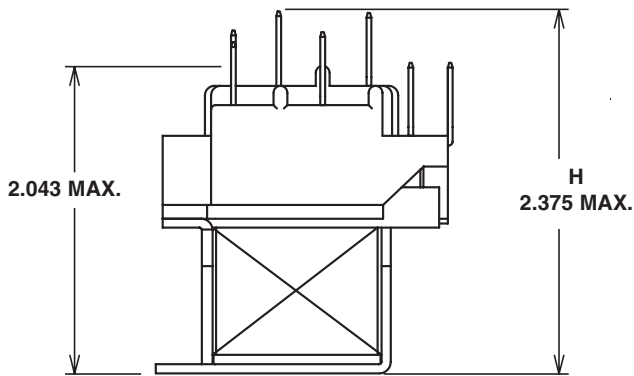
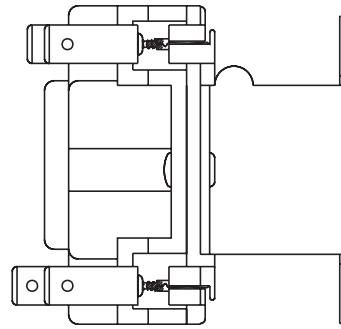
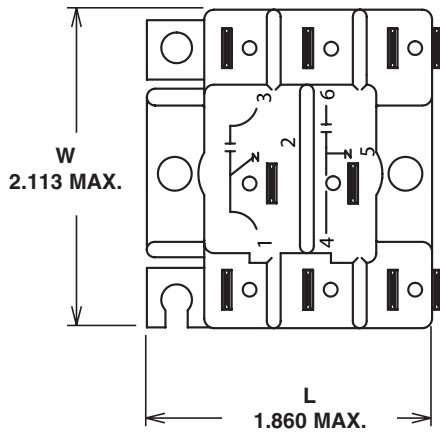
A.C. Type	Magnet Coil Rating (Volt Amperes)			Operation in % Nom. Coil Voltage Rating		Breakdown Voltages All Terminals - 60 Hz RMS			Contact Material		Electrical Life		Mechanical Life		Max. Oper. Amb. °F
	Inrush	Sealed Nom.	Max.	Pick-up	Max. Safe Operate	Opposite Polarity	Open Contacts Same Polarity	To Ground	Power	Pilot	Oper. At Rated Load	Oper. Per Min.	Oper. At No Load	Oper. Per Min.	
91	24	8	10	85%	110%	1500	1000	1500	Silver Alloy	Fine Silver Alloy	100,000†	6	750,000	60	130

† Load tests – making inrush ratings (0.4 to 0.5 P.F.) – breaking 125% continuous rating (0.65 to 0.8 P.F.)

**Schematic  
91 DPDT**



**Type 91**



BOTTOM VIEW

## X-ON Electronics

Largest Supplier of Electrical and Electronic Components

*Click to view similar products for [General Purpose Relays](#) category:*

*Click to view products by [White-Rodgers](#) manufacturer:*

Other Similar products are found below :

[APF30318](#) [JVN1AF-4.5V-F](#) [PCN-105D3MHZ](#) [5JO-10000S-SIL](#) [5JO-1000CD-SIL](#) [5JO-400CD-SIL](#) [LY2S-AC220/240](#) [LYQ20DC12](#)  
[6031007G](#) [6131406HQ](#) [6-1393099-3](#) [6-1393099-8](#) [6-1393122-4](#) [6-1393123-2](#) [6-1393767-1](#) [6-1393843-7](#) [6-1415012-1](#) [6-1419102-2](#) [6-](#)  
[1423698-4](#) [6-1608051-6](#) [6-1608067-0](#) [6-1616170-6](#) [6-1616248-2](#) [6-1616282-3](#) [6-1616348-2](#) [6-1616350-1](#) [6-1616350-8](#) [6-1616358-7](#) [6-](#)  
[1616359-9](#) [6-1616360-9](#) [6-1616931-6](#) [6-1617039-1](#) [6-1617052-1](#) [6-1617090-2](#) [6-1617090-5](#) [6-1617347-5](#) [6-1617353-3](#) [6-1617801-8](#) [6-](#)  
[1617802-2](#) [6-1618107-9](#) [6-1618248-4](#) [M83536/1-027M](#) [CX-4014](#) [MAHC-5494](#) [MAVCD-5419-6](#) [703XCX-120A](#) [7-1393100-5](#) [7-1393111-7](#)  
[7-1393144-5](#) [7-1393767-8](#)