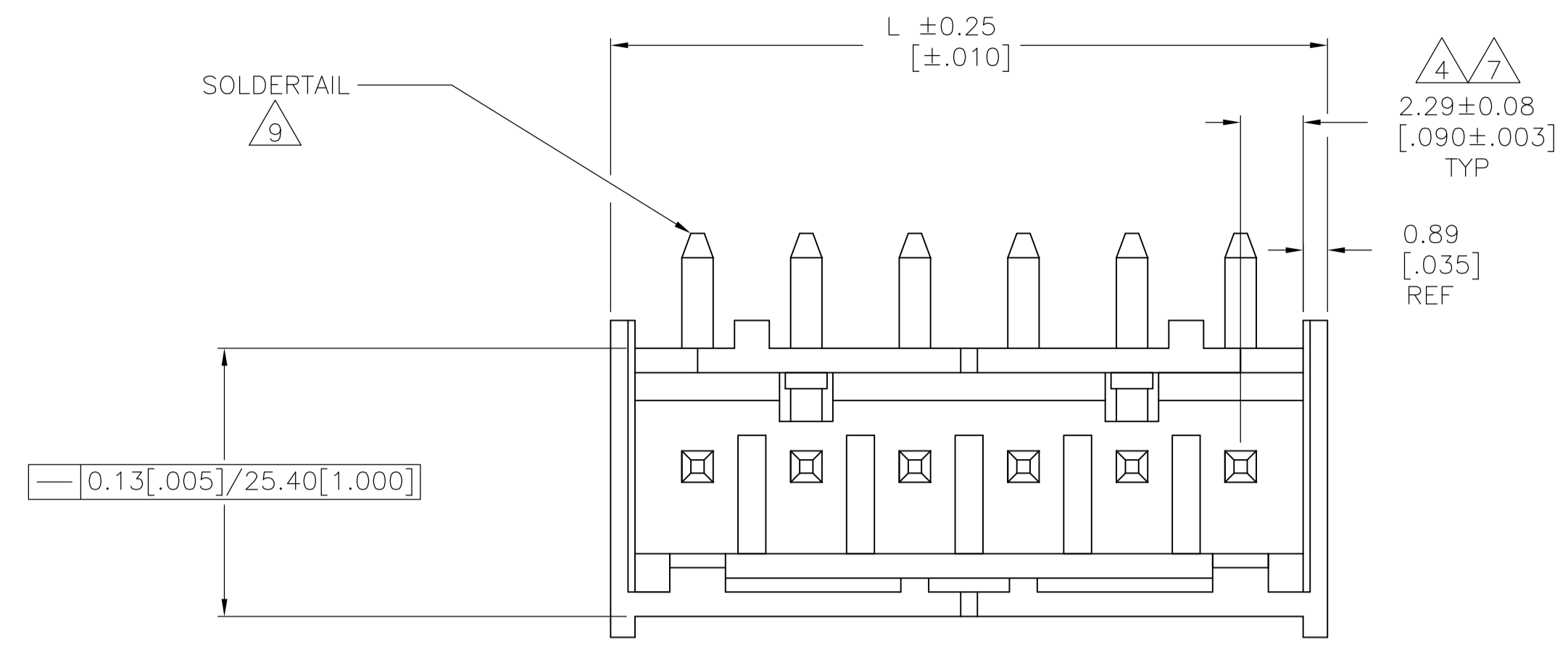


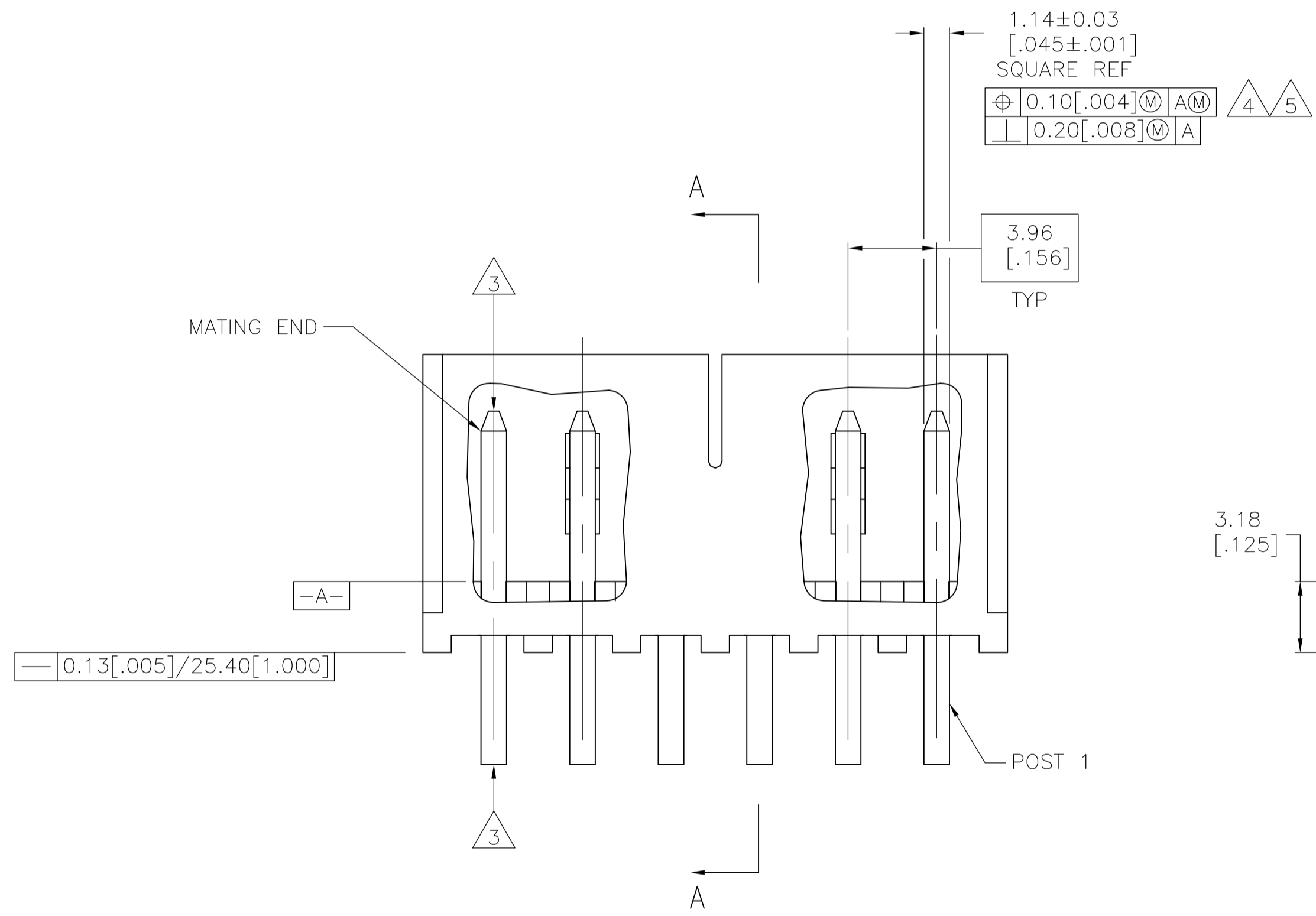
LOC		DIST		REVISIONS			
P	LTR	DESCRIPTION	DATE	DMN	APVD		
D		EC 0638 1113 04	29DEC05	BSV	DB		
D1		REVISED PER ECO-09-021510	14SEP09	KK	AEG		



4 7  
 2.29±0.08  
 [.090±.003]  
 TYP

0.89  
 [.035]  
 REF

0.13[.005]/25.40[1.000]

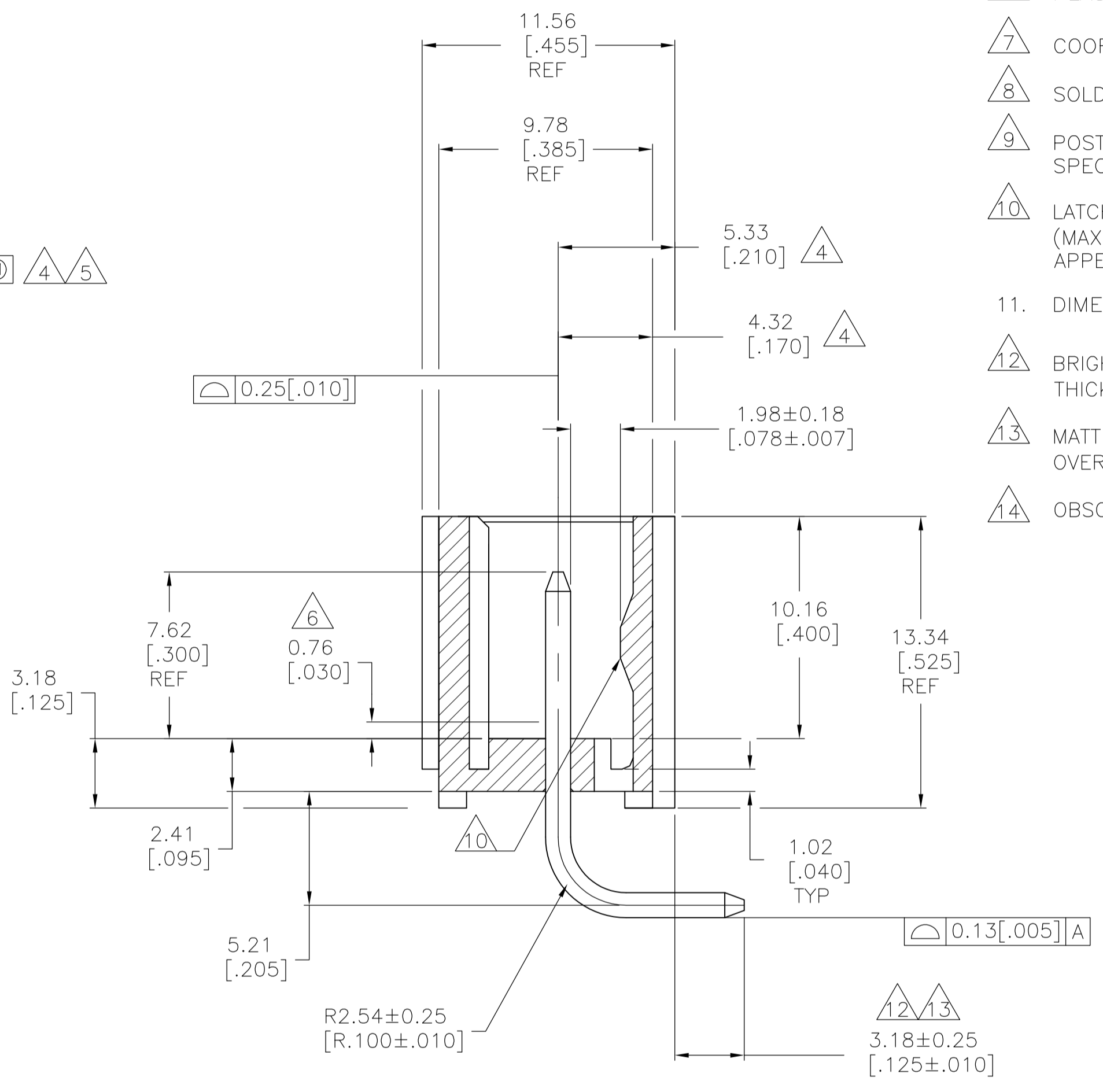


1.14±0.03  
 [.045±.001]  
 SQUARE REF

4 5  
 0.10[.004] M A M  
 0.20[.008] M A

3.96  
 [.156]  
 TYP

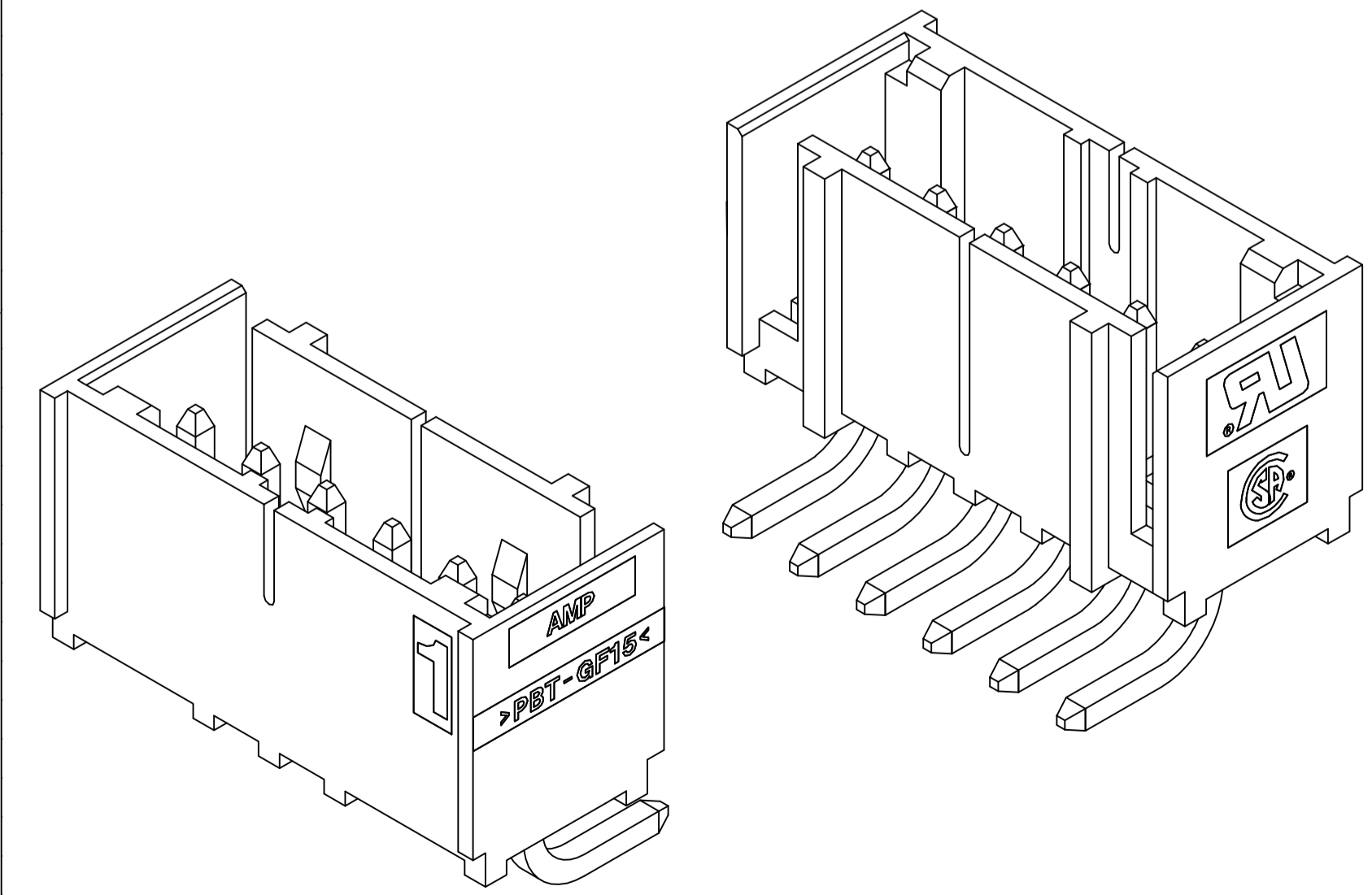
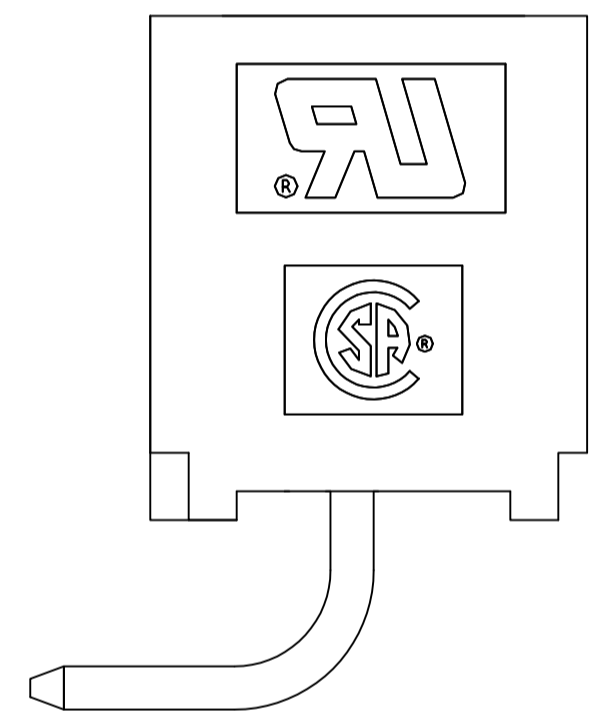
0.13[.005]/25.40[1.000]



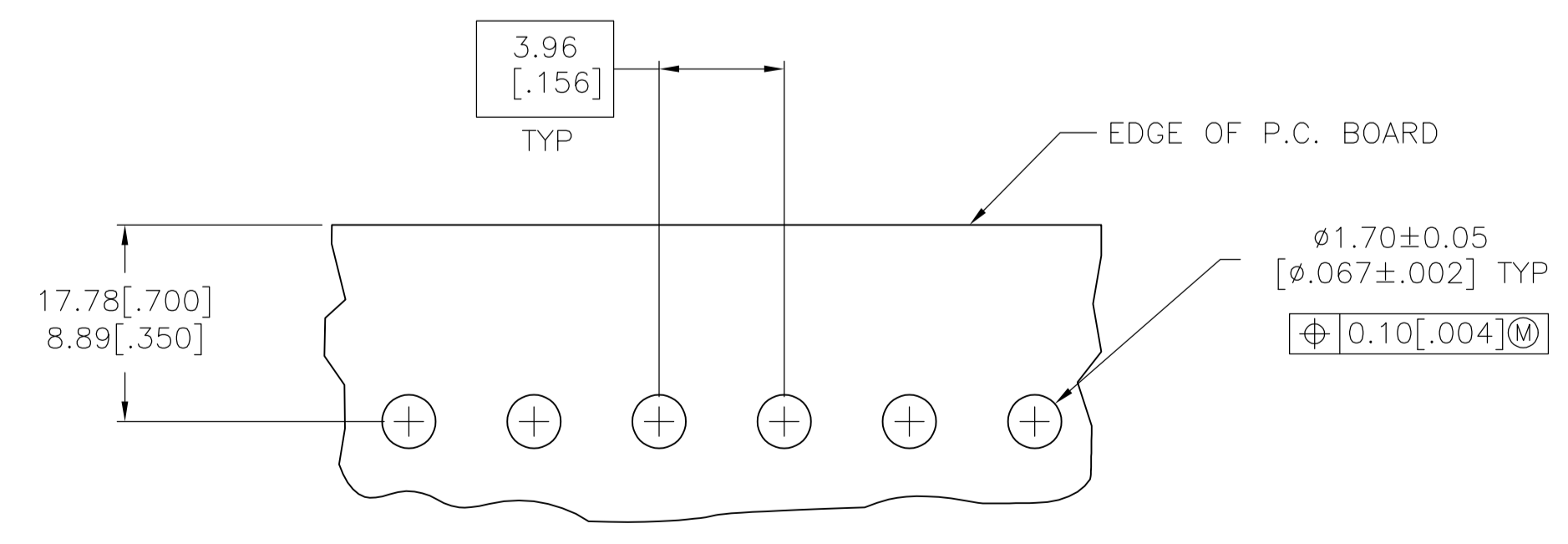
SECTION A-A

647126-6 SHOWN

- 1 MATERIAL:  
HOUSING - THERMOPLASTIC POLYESTER, GLASS FILLED, UL94-0.  
POST - COPPER ALLOY
- 2 FINISH:  
HOUSING - BLACK  
POST - SEE NOTES 12 AND 13.
- 3 POST TO WITHSTAND 3LBS (16N) MIN AXIAL FORCE IN THIS DIRECTION WITHOUT DISLODGING.
- 4 APPLIES AT -A- .
- 5 APPLIES WHEN HEADER IS STRAIGHT .
- 6 PLASTIC PROJECTIONS PERMITTED IN THIS ZONE.
- 7 COORDINATE DIMENSIONS APPLIES FROM CENTER OF ACTUAL FEATURE.
- 8 SOLDER SIDE OF BOARD IS SHOWN.
- 9 POST SOLDERTAIL MUST COMPLY WITH AMP SOLDERABILITY SPEC 109-11-2.
- 10 LATCH DETENT FEATURE APPEARS 1 PLACE ON EACH END OF PART (MAX OF 2 PER PART) ON ALL POSITIONS 4 THRU 12. THE LATCH APPEARS ONLY ONE PLACE ON 2 & 3 POSITION PARTS.
- 11. DIMENSIONS IN BRACKETS ARE IN INCHES.
- 12 BRIGHT TIN LEAD (93/7) PLATE 0.00381 - 0.00889 [.000150 - .000350] THICK, OVER NICKEL UNDERPLATE 0.00127 [.000050] MIN THICK.
- 13 MATTE TIN PLATE 0.00381 - 0.00889 [.000150 - .000350] THICK, OVER NICKEL UNDERPLATE 0.00127 [.000050] MIN THICK.
- 14 OBSOLETE PARTS: OBSOLETE CIS STREAMLINING PER D.RENAUD/D.SINISI

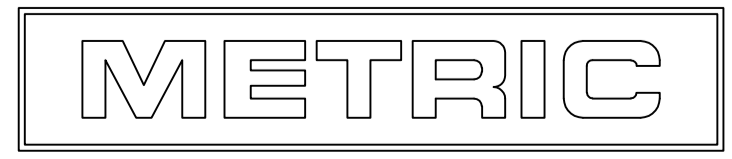


3-DIMENSIONAL MODEL NTS



RECOMMENDED MOUNTING HOLE PATTERN FOR 1.57[.062] THICK P.C. BOARD

PLATING	MM	IN	NO. OF POSN	PART NUMBER	
					L
SUPERSEDED	49.94	1.966	12	3-647126-2	
	45.97	1.810	11	3-647126-1	
	42.01	1.654	10	3-647126-0	
	38.05	1.498	9	2-647126-9	
	34.09	1.342	8	2-647126-8	
	30.12	1.186	7	2-647126-7	
	26.16	1.030	6	2-647126-6	
	22.20	.874	5	2-647126-5	
	18.24	.718	4	2-647126-4	
	14.27	.562	3	2-647126-3	
	10.31	.406	2	2-647126-2	
	SUPERSEDED	49.94	1.966	12	1-647126-2
		45.97	1.810	11	1-647126-1
42.01		1.654	10	1-647126-0	
38.05		1.498	9	647126-9	
34.09		1.342	8	647126-8	
30.12		1.186	7	647126-7	
	26.16	1.030	6	647126-6	
	22.20	.874	5	647126-5	
	18.24	.718	4	647126-4	
	14.27	.562	3	647126-3	
	10.31	.406	2	647126-2	



THIS DRAWING IS A CONTROLLED DOCUMENT.

DIN B LEWIS 17JUN98	Tyco Electronics Corporation Harrisburg, PA 17105-3608
CHK R SWING 17JUN98	NAME D CLARK 17JUN98
APVD D CLARK 17JUN98	PRODUCT SPEC
APPLICATION SPEC	SIZE CAGE CODE DRAWING NO
WEIGHT	A1 00779 C=647126
CUSTOMER DRAWING	SCALE 5:1 SHEET 1 OF 1 REV D1

## X-ON Electronics

Largest Supplier of Electrical and Electronic Components

*Click to view similar products for [Headers & Wire Housings](#) category:*

*Click to view products by [TE Connectivity](#) manufacturer:*

Other Similar products are found below :

[95000-104TRLF](#) [10135584-644402LF](#) [DF62W-EP2022PCA](#) [95000-106TRLF](#) [DF62W-2022SCA](#) [DF62W-EP2022PC](#) [2203348](#) [DF62W-2022SC](#) [1084018](#) [1029039](#) [1084017](#) [802-10-012-10-002000](#) [1112640](#) [1112639](#) [891-007-9SS-BST1T](#) [000-34000](#) [0008550134](#) [0009482033](#) [0009507031](#) [57102-F02-18ULF](#) [57102-S06-03LF](#) [57202-S52-04LF](#) [PCN6-15S-2.5E](#) [0039019024](#) [58102-G61-06LF](#) [582553-1](#) [0009485154](#) [0009508121](#) [0022285053](#) [0050291907](#) [018731A](#) [LY20-4P-DT1-P1E-BR](#) [02.125.8002.8](#) [60101931](#) [60598-1 \(Cut Strip\)](#) [M1625-3R/100](#) [61062-3](#) [61082-181009](#) [CSU011177004](#) [636-1427](#) [638009-1](#) [641938-9](#) [641991-4](#) [644168-1](#) [644827-2](#) [647662-1](#) [65039-019ELF](#) [65692-001LF](#) [65781-018](#) [65781-047](#)