

Part Number: L-7104GE/1LY1LGD-RV

Yellow  
Green

### Features

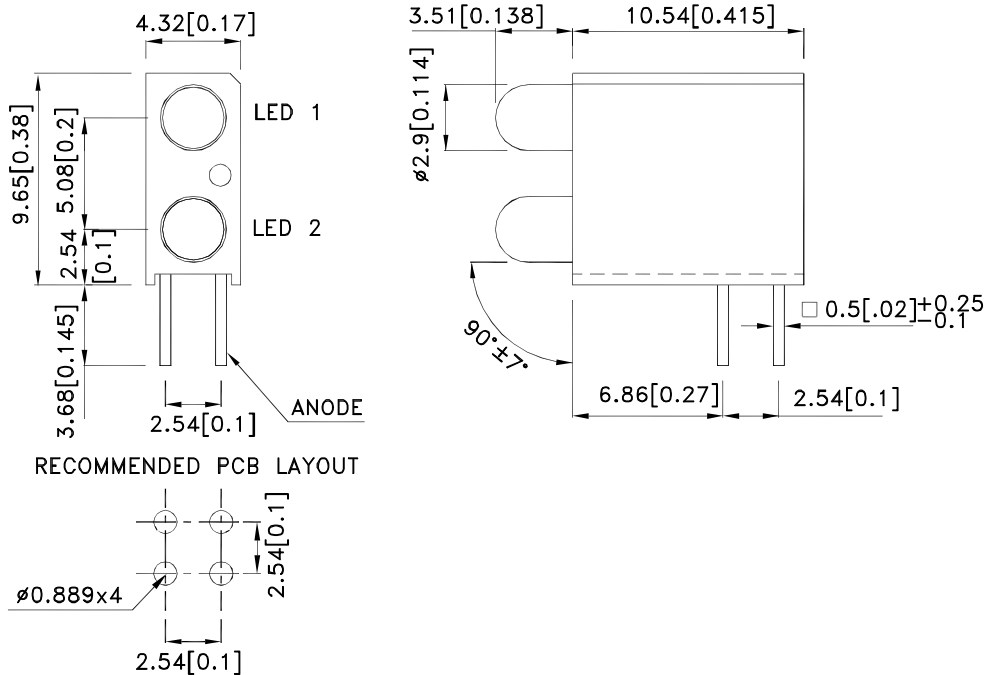
- Pre-trimmed leads for pc mounting.
- Black case enhances contrast ratio.
- Wide viewing angle.
- High reliability life measured in years.
- Housing UL rating:94V-0.
- Housing material: type 66 nylon.
- Low current IF=2mA operating.
- RoHS compliant.

### Descriptions

- The Yellow source color devices are made with Gallium Arsenide Phosphide on Gallium Phosphide Yellow Light Emitting Diode.
- The Green source color devices are made with Gallium Phosphide Green Light Emitting Diode.

### Package Dimensions

LED1: YELLOW  
LED2: GREEN



#### Notes:

1. All dimensions are in millimeters (inches).
2. Tolerance is  $\pm 0.25 (0.01")$  unless otherwise noted.
3. Lead spacing is measured where the leads emerge from the package.
4. The specifications, characteristics and technical data described in the datasheet are subject to change without prior notice.



## Selection Guide

| Part No.            | Dice               | Lens Type       | Iv (mcd) [2]<br>@ 2mA |      | Viewing<br>Angle [1] |
|---------------------|--------------------|-----------------|-----------------------|------|----------------------|
|                     |                    |                 | Min.                  | Typ. | 2θ1/2                |
| L-7104GE/1LY1LGD-RV | Yellow (GaAsP/GaP) | Yellow Diffused | 0.7                   | 1.5  | 40°                  |
|                     | Green (GaP)        | Green Diffused  | 1                     | 2    | 40°                  |

Notes:

1. θ1/2 is the angle from optical centerline where the luminous intensity is 1/2 of the optical peak value.
2. Luminous intensity/ luminous Flux: +/-15%.
3. Luminous intensity value is traceable to the CIE127-2007 compliant national standards.

## Electrical / Optical Characteristics at TA=25°C

| Symbol             | Parameter                | Device          | Typ.        | Max.       | Units | Test Conditions           |
|--------------------|--------------------------|-----------------|-------------|------------|-------|---------------------------|
| λ <sub>peak</sub>  | Peak Wavelength          | Yellow<br>Green | 590<br>565  |            | nm    | I <sub>F</sub> =2mA       |
| λ <sub>D</sub> [1] | Dominant Wavelength      | Yellow<br>Green | 588<br>568  |            | nm    | I <sub>F</sub> =2mA       |
| Δλ <sub>1/2</sub>  | Spectral Line Half-width | Yellow<br>Green | 35<br>30    |            | nm    | I <sub>F</sub> =2mA       |
| C                  | Capacitance              | Yellow<br>Green | 20<br>15    |            | pF    | V <sub>F</sub> =0V;f=1MHz |
| V <sub>F</sub> [2] | Forward Voltage          | Yellow<br>Green | 1.85<br>1.9 | 2.5<br>2.5 | V     | I <sub>F</sub> =2mA       |
| I <sub>R</sub>     | Reverse Current          | Yellow<br>Green |             | 10<br>10   | μA    | V <sub>R</sub> = 5V       |

Notes:

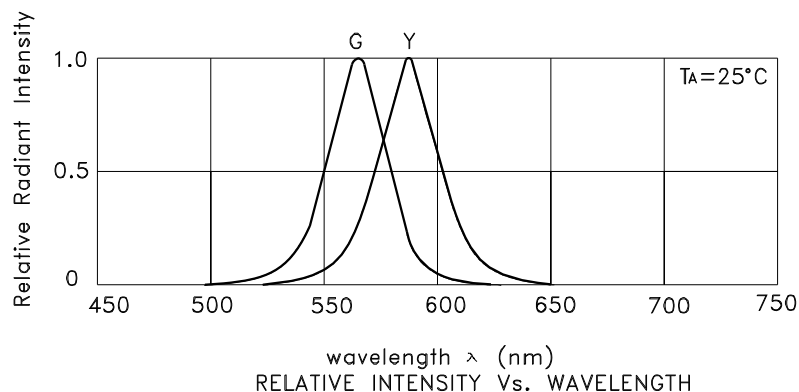
1. Wavelength: +/-1nm.
2. Forward Voltage: +/-0.1V.
3. Wavelength value is traceable to the CIE127-2007 compliant national standards.
4. Excess driving current and/or operating temperature higher than recommended conditions may result in severe light degradation or premature failure.

## Absolute Maximum Ratings at TA=25°C

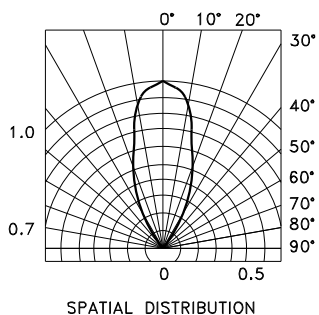
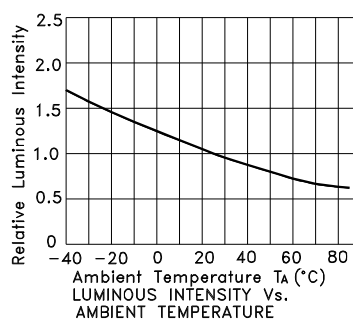
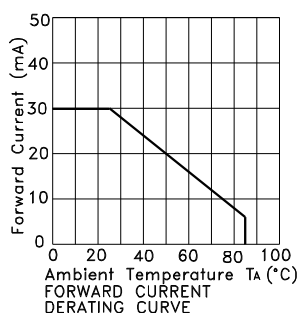
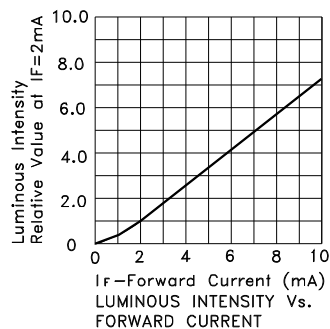
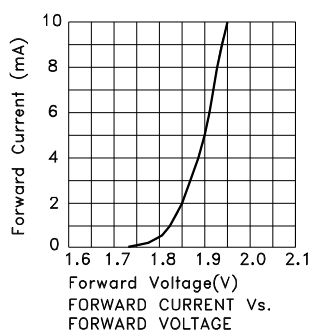
| Parameter                       | Yellow              | Green | Units |
|---------------------------------|---------------------|-------|-------|
| Power dissipation               | 75                  | 62.5  | mW    |
| DC Forward Current              | 30                  | 25    | mA    |
| Peak Forward Current [1]        | 140                 | 140   | mA    |
| Reverse Voltage                 | 5                   |       | V     |
| Operating / Storage Temperature | -40°C To +85°C      |       |       |
| Lead Solder Temperature [2]     | 260°C For 3 Seconds |       |       |
| Lead Solder Temperature [3]     | 260°C For 5 Seconds |       |       |

Notes:

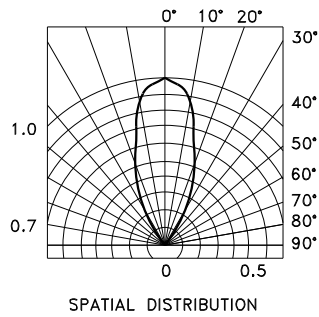
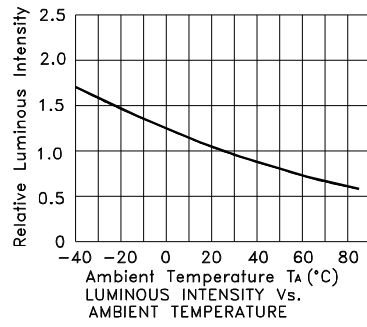
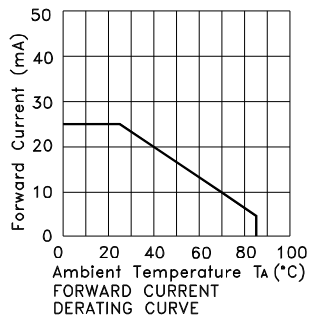
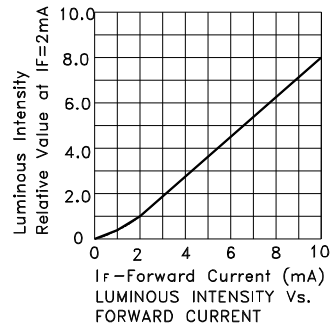
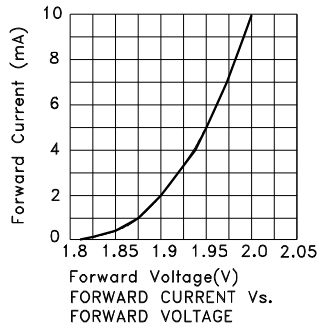
1. 1/10 Duty Cycle, 0.1ms Pulse Width.
2. 2mm below package base.
3. 5mm below package base.



## L-7104GE/1LY1LGD-RV Yellow

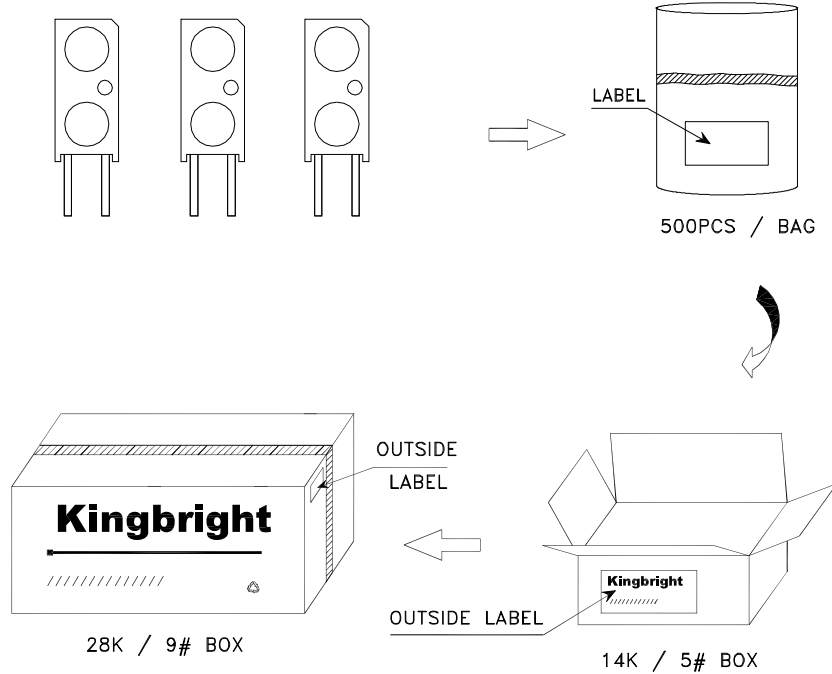



## Green



## PACKING & LABEL SPECIFICATIONS

## L-7104GE/1LY1LGD-RV



|  |   |     |            |        |
|--|---|-----|------------|--------|
| <b>Kingbright</b>  |   |     |            |        |
| P/NO: L-7104GExxx  |   |     |            |        |
| QTY: 500 pcs   | Q.C.  |     |            |        |
| S/N: XXXX  | <table border="1"> <tr> <td style="text-align: center;">Q C</td> </tr> <tr> <td style="text-align: center;">XX XX XXXX</td> </tr> <tr> <td style="text-align: center;">PASSED</td> </tr> </table> | Q C | XX XX XXXX | PASSED |
| Q C  |   |     |            |        |
| XX XX XXXX   |   |     |            |        |
| PASSED   |   |     |            |        |
| CODE: XXX  |   |     |            |        |
| LOT NO:  |   |     |            |        |
| <br><small>xxxxxxxxxxxxxxxxxxxxxxxxxxxxxxxx</small> |   |     |            |        |
| RoHS Compliant   |   |     |            |        |

### Terms and conditions for the usage of this document

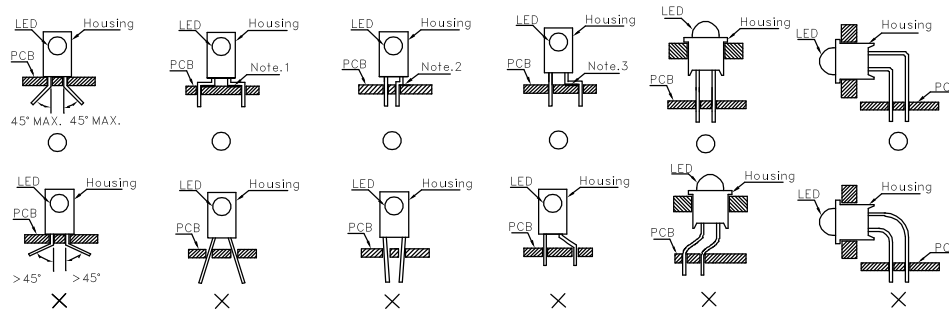
1. The information included in this document reflects representative usage scenarios and is intended for technical reference only.
2. The part number, type, and specifications mentioned in this document are subject to future change and improvement without notice. Before production usage customer should refer to the latest datasheet for the updated specifications.
3. When using the products referenced in this document, please make sure the product is being operated within the environmental and electrical limits specified in the datasheet. If customer usage exceeds the specified limits, Kingbright will not be responsible for any subsequent issues.
4. The information in this document applies to typical usage in consumer electronics applications. If customer's application has special reliability requirements or have life-threatening liabilities, such as automotive or medical usage, please consult with Kingbright representative for further assistance.
5. The contents and information of this document may not be reproduced or re-transmitted without permission by Kingbright.
6. All design applications should refer to Kingbright application notes available at [http://www.kingbright.com/application\\_notes](http://www.kingbright.com/application_notes)

## PRECAUTIONS

### 1. Storage conditions:

- a. Avoid continued exposure to the condensing moisture environment and keep the product away from rapid transitions in ambient temperature.
- b. LEDs should be stored with temperature  $\leq 30^{\circ}\text{C}$  and relative humidity  $< 60\%$ .
- c. Product in the original sealed package is recommended to be assembled within 72 hours of opening. Product in opened package for more than a week should be baked for 30 (+10/-0) hours at  $85 \sim 100^{\circ}\text{C}$ .

2. The lead pitch of the LED must match the pitch of the mounting holes on the PCB during component placement. Lead-forming may be required to insure the lead pitch matches the hole pitch. Refer to the figure below for proper lead forming procedures.



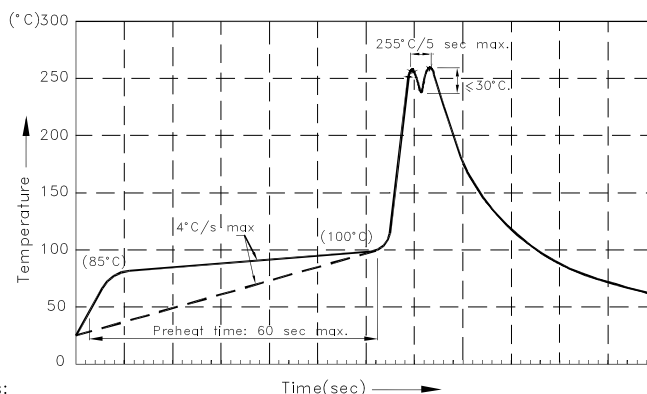
“O” Correct mounting method “X” Incorrect mounting method

Note 1-3: Do not route PCB trace in the contact area between the leadframe and the PCB to prevent short-circuits.

3. During soldering, component covers and holders should leave clearance to avoid placing damaging stress on the LED during soldering.



4. The tip of the soldering iron should never touch the lens epoxy.
5. Through-hole LEDs are incompatible with reflow soldering.
6. If the LED will undergo multiple soldering passes or face other processes where the part may be subjected to intense heat, please check with Kingbright for compatibility.
7. Recommended Wave Soldering Profiles:



Notes:

1. Recommend pre-heat temperature of  $105^{\circ}\text{C}$  or less (as measured with a thermocouple attached to the LED pins) prior to immersion in the solder wave with a maximum solder bath temperature of  $260^{\circ}\text{C}$
2. Peak wave soldering temperature between  $245^{\circ}\text{C} \sim 255^{\circ}\text{C}$  for 3 sec (5 sec max).
3. Do not apply stress to the epoxy resin while the temperature is above  $85^{\circ}\text{C}$ .
4. Fixtures should not incur stress on the component when mounting and during soldering process.
5. SAC 305 solder alloy is recommended.
6. No more than one wave soldering pass.

## X-ON Electronics

Largest Supplier of Electrical and Electronic Components

*Click to view similar products for [LED Panel Mount Indicators](#) category:*

*Click to view products by [Kingbright](#) manufacturer:*

Other Similar products are found below :

[607-1312-310F](#) [607-3232-140F](#) [6091M1-24V](#) [6091M5-24V](#) [6091M7-24V](#) [821-0331-503](#) [FL2870C8R](#) [FL2950WL7B](#) [FL589WL8R](#)  
[Q6P3BXXB12E](#) [H8630FBBA3](#) [MPC5ADW6.0](#) [DX1091GN](#) [NL177WL3G](#) [NL276C3G](#) [NL2950BWL3G](#) [NL2950CWL2R](#) [NL589WL2R](#)  
[NL67C3G](#) [NL67C3R](#) [2191L1-12V](#) [PB22SIOL0RG](#) [PB22SPPM41R](#) [PB22SPPM61R](#) [LE177C5B](#) [LH1048BSWL3702](#) [LH1048BWL3702](#)  
[LH382A](#) [LHM62B](#) [SSI-LXH387USBD-150](#) [SSI-LXH9ZIC40587](#) [SSP-LXS110818BA](#) [FL2950BWL7R](#) [FL2950WL7R](#) [FL2951WL8G](#)  
[FL2951WL8R](#) [FL589C7R](#) [FL67C7R](#) [FL67WL8G](#) [2191QU7-24V](#) [2191U1-12V](#) [2191U5-12V](#) [2191U5-6V](#) [2191U7-12V](#) [249-4167-3734-](#)  
[504F](#) [Q6P5BXXG02E](#) [3990A7](#) [5110F3-12V](#) [MPC5BCW18.0](#) [556-1237-801F](#)