

Fixed Machined Contact Connector

- Standards:
- UL File: E119881
 - Connectors according to MIL C24308

SPECIFICATIONS:

MATERIALS AND PLATINGS

Shells	Steel yellow chromated over zinc or tinned steel with or without dimples on plug connector
Insulator	Glass-filled thermoplastic, UL 94V-0
Rear Insert	Brass, 118µ" up to 197µ" (3µm up to 5µm) tinned over nickel 78µ" up to 118µ" (2µm up to 3µm)
Boardlock	Tin-lead plating 157µ" up to 236µ" (4µm up to 6µm) over nickel 78µ" up to 118µ" (2µm up to 3µm)
Screwlock	Brass, 236µ" up to 394µ" (6µm up to 10µm) tinned over nickel 78µ" up to 118µ" (2µm up to 3µm)
Contacts	D: brass DF: pin = brass Socket = copper alloy
Right Angle Version	Selective gold in mating area over 78µ" up to 118µ" (2µm up to 3µm) nickel; 118µ" up to 197µ" (3µm up to 5µm) tin-lead on termination area over 78µ" up to 118µ" (2µm up to 3µm) nickel
Straight Version	Full gold plating over 78µ" up to 118µ" (2µm up to 3µm) nickel

ELECTRICAL DATA

Current Rating	7.5 A
Voltage Rating	300 V AC/rms 50Hz
Withstanding Voltage	1000V AC/rms 50Hz for one minute
Insulation Resistance	5000MΩ
Contact Resistance	D: 8.5mΩ max. DF: 5mΩ max.

CLIMATIC DATA

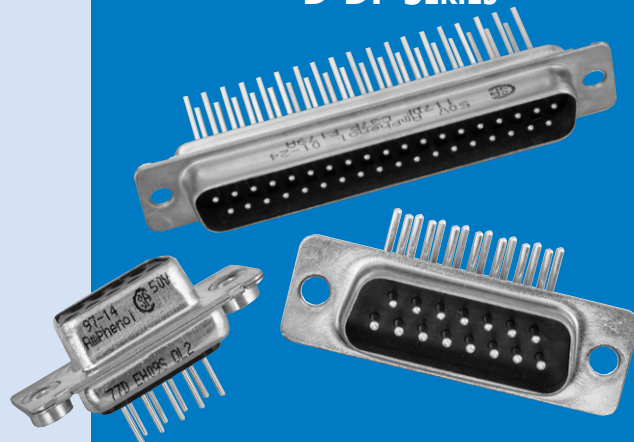
Operating Temperature	D: -67°F (-55°C) to +185°F (85°C), peak at 257°F (125°C) DF: -67°F (-55°C) to + 257°F (125°C)
-----------------------	--

MECHANICAL DATA

No. of Contacts	Mate (max.)	Unmate (min.)
9 (size E)	6.74 (3.05)	0.79 (0.36)
15 (size A)	11.24 (5.09)	1.01 (0.46)
25 (size B)	18.66 (8.44)	1.8 (0.81)
37 (size C)	27.65 (12.51)	2.47 (1.1)
50 (size D)	32.38 (14.65)	3.56 (1.6)

INCHES (MM)

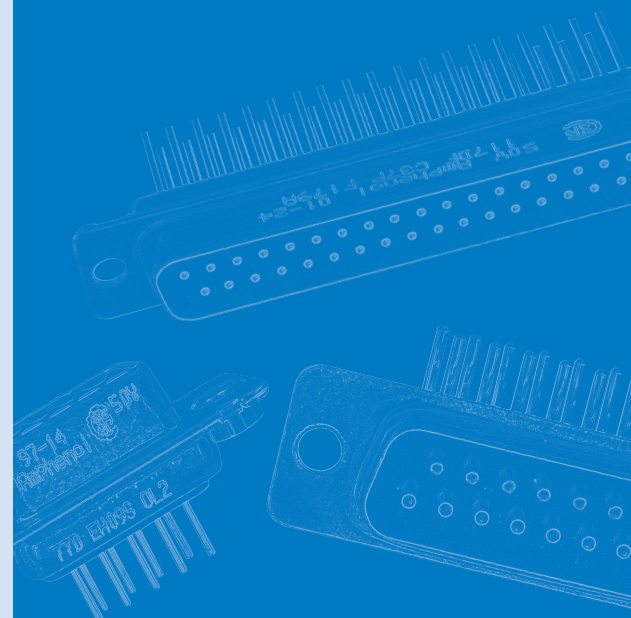
D-DF SERIES



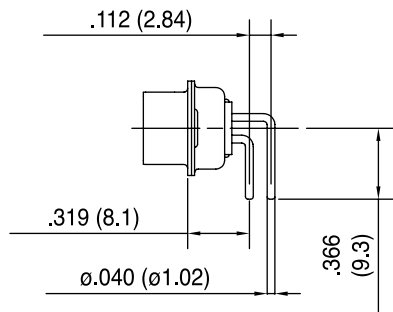
The Amphenol SD series features precision formed contacts, and 4 finger boardlocks.

This series gives you Amphenol's high standards of quality and reliability to meet all of your commercial requirements.

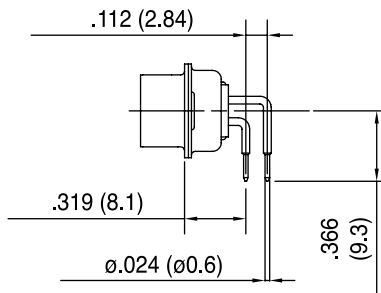
- Industrial
- Telecom
- Any industry standard I / O connections



Without bracket

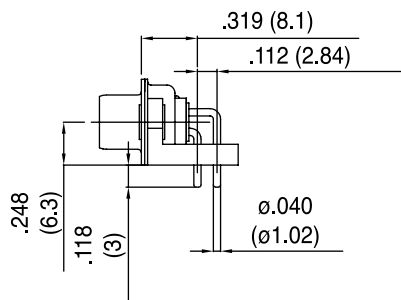


C

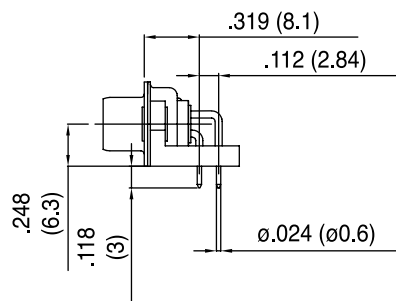


A4

Plastic bracket

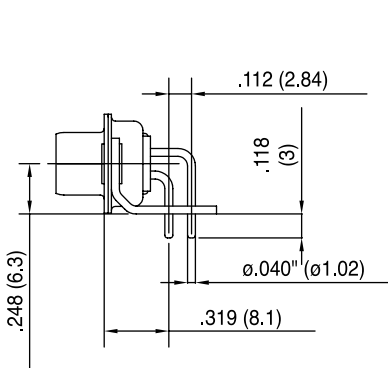


AJ3

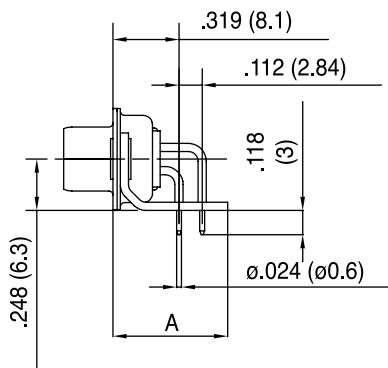


AJ4

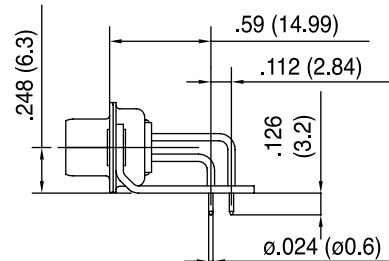
Metal bracket



A

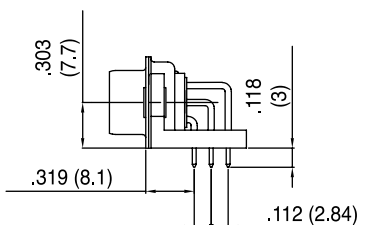


AM4 : A=.519 (13.2)
AZ4 : A=.453 (11.5)

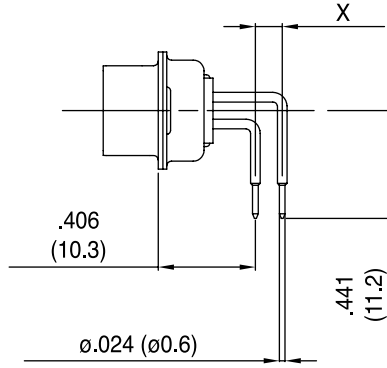


AM4B

50 contacts

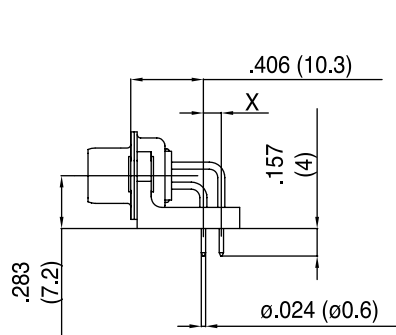


Without bracket

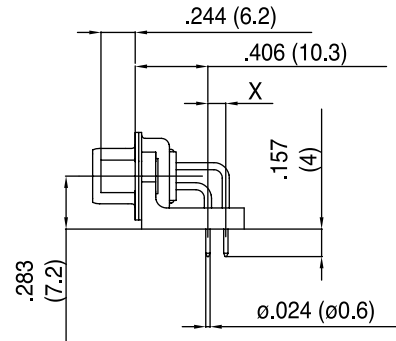


1AON : X= .100 (2.54)
1BON : X= .112 (2.84)

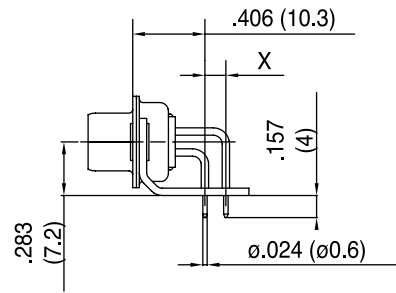
Plastic bracket



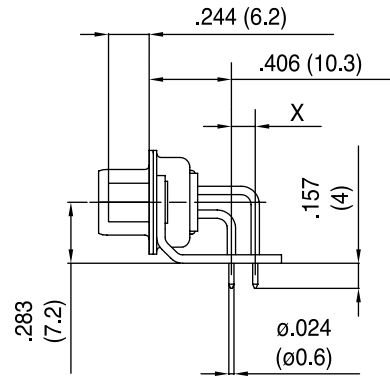
1APN : X= .100 (2.54)
1BPN : X= .112 (2.84)



1AUN : X= .100 (2.54)
1BUN : X= .112 (2.84)

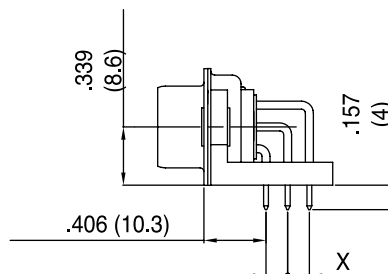


1AMN : X= .100 (2.54)
1BMN : X= .112 (2.84)



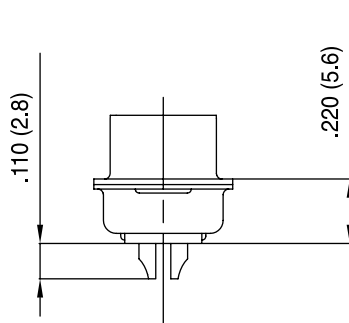
1ATN : X= .100 (2.54)
1BTN : X= .112 (2.84)

50 contacts

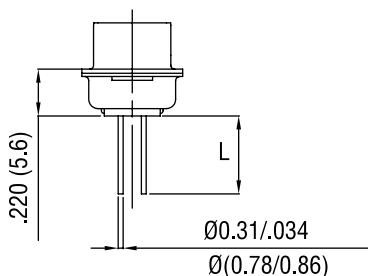


INCHES (MM)

Solder cup

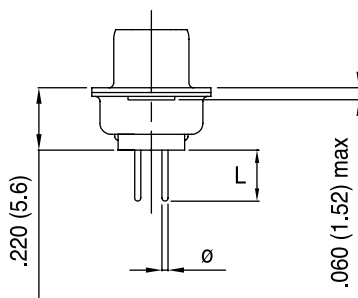


Wire Wrap



Termination	Nb of wraps	L
F179	2	.378 (9.6)
F179A	3	.512 (13)

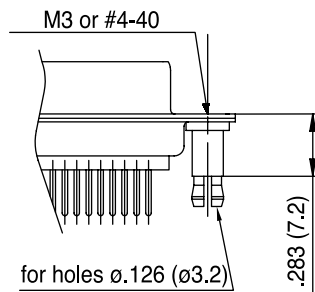
Straight PCB



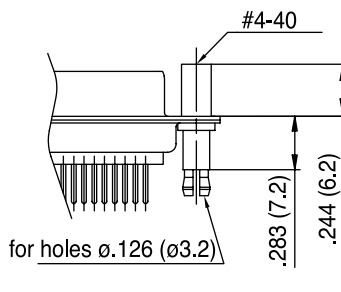
Termination	Ø	L
U	.024 (0.6)	.126 (3.2)
V	.040 (1.02)	.095 (2.4)
T	.024 (0.6)	.157 (4)
OL2	.02 (0.6)	.217 (5.5)

Grounding tabs

For straight termination



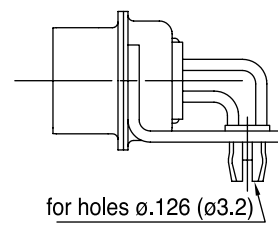
RM5



RM8

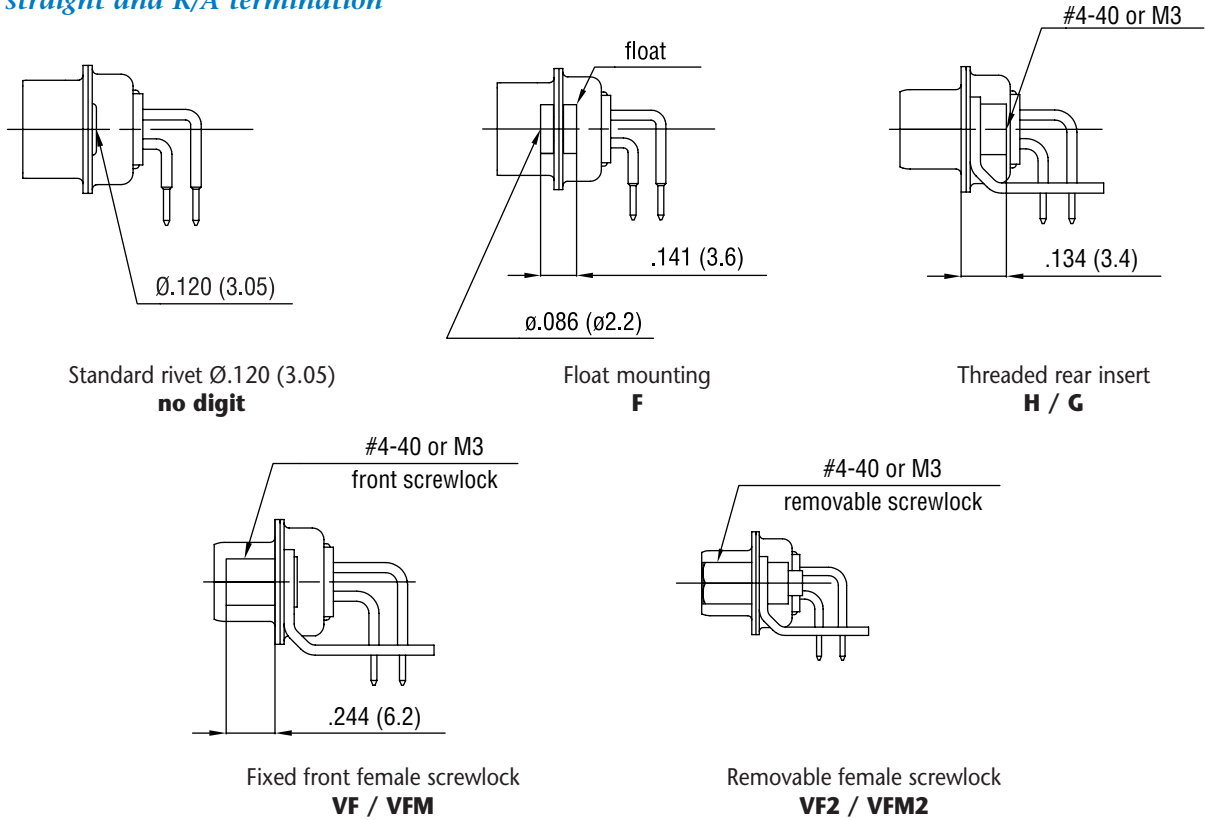
For R/A termination

FOR PCB .062 (1.6)

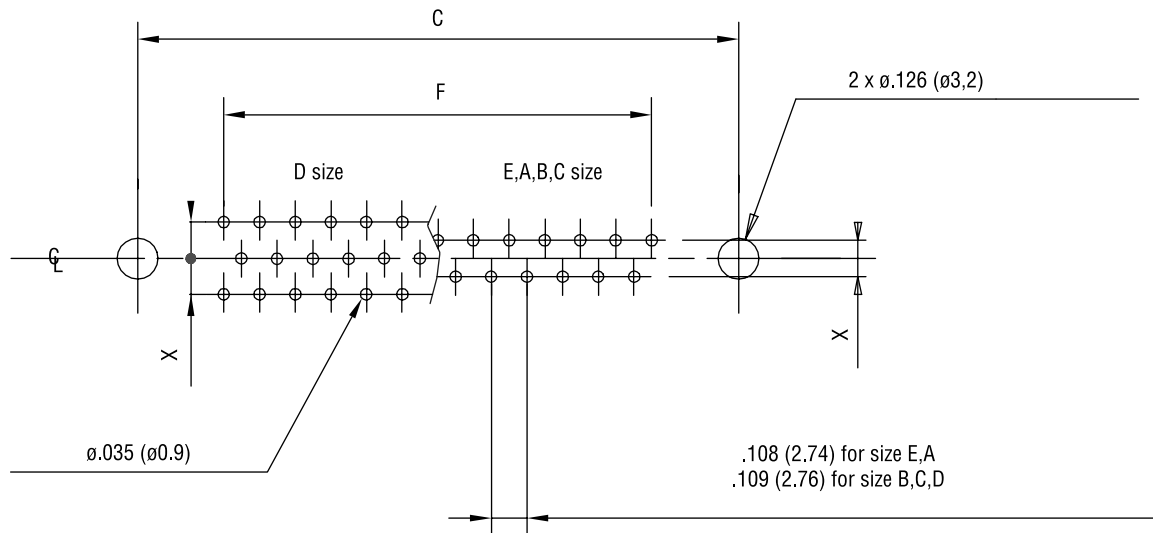


RM6

For straight and R/A termination



RECOMMENDED PCB LAYOUT



For straight PCB: $X = .112$ (2.84)
 For right angle PCB: MIL: $X = .112$ (2.84)
 European: $X = .100$ (2.54), $.112$ (2.84) in option

	size E	size A	size B	size C	size D
C $\pm .004$ (0.1)	.984 (25)	1.311 (33.3)	1.85 (47)	2.5 (63.5)	2.406 (61.1)
F $\pm .002$ (0.05)	.431 (10.96)	.755 (19.18)	1.304 (33.12)	1.956 (49.68)	1.74 (44.2)

INCHES (MM)

ORDERING INFORMATION

XXXXXX X X XX X XXXXX XXXX X

8µ" (0.2µm)	17D: yellow chromated shell 77D: tinned shell for receptacle 717D: tinned shell + dimples for plug
20µ" (0.5µm)	17DF: yellow chromated shell 77DF: tinned shell for receptacle 717DF: tinned shell + dimples for plug
30µ" (0.76µm)	117DF: yellow chromated shell 177DF: tinned shell for receptacle 777DF: tinned shell + dimples for plug

Shell size: E, A, B, C, D

Mounting Options:

- H rear insert 4-40
- G rear insert M3
- F float mounting
- no digit standard rivet .122 (ø 3.1)
- *H, G must also be used to specify the threading of RM5 grounding tabs.

Configuration: 09, 15, 25, 37, 50

Contact type:

- P pin
- S socket

For specific product

Grounding tabs:

- RM5 for straight PCB mounting*
- RM8 for straight PCB mounting + female lock
- RM6 for right angle PCB mounting
- VF front screwlock 4-40
- VFM front screwlock M3
- VF2 removable screwlock 4-40
- VF2M removable screwlock M3

Termination:

solder cup: no digit

Wire Wrap:

- F179 length .378 (9.6)
- F179A length .512 (13)

Straight PCB:

- U length .126 (3.2) tail ø.024 (ø0.6)
- V length .094 (2.4) tail ø.040 (ø1.02)
- T length .157 (4) tail ø.024 (ø0.6)
- OL2 length .216 (5.5) tail ø.024 (ø0.6)

Right Angle Connector:

- MIL footprint
- without bracket: C tail ø.040 (ø1.02)
 - A4 tail ø.024 (ø0.6)
- plastic bracket:
- AJ3 tail ø.040 (ø1.02)
 - AJ4 tail ø.024 (ø0.6)
- metal bracket:
- A tail ø.040 (ø1.02)
 - AM4 A ø.519 (13.2)
 - AZ4 A ø.453 (11.5)
 - AM4B footprint ø.590 (14.99)

European footprint

- without bracket:
- 1AON X .100 (2.54)
 - 1BON X .112 (2.84)
- plastic bracket:
- 1APN X .100 (2.54)
 - 1BPN X .112 (2.84)
 - 1AUN X .100 (2.54)
 - 1BUN X .112 (2.84)
- metal bracket:
- 1AMN X .100 (2.54)
 - 1BMN X .112 (2.84)
 - 1ATN X .100 (2.54)
 - 1BTN X .112 (2.84)

Standard options

For special request, please consult factory

For Filtered D-Sub, see page 56.

X-ON Electronics

Largest Supplier of Electrical and Electronic Components

Click to view similar products for [D-Sub Micro-D Connectors](#) category:

Click to view products by [Amphenol](#) manufacturer:

Other Similar products are found below :

[M243082311F](#) [M2430834F](#) [M24308/4-6F](#) [65-1920-15](#) [M83513/01-HN](#) [M83513/03-A10N](#) [M83513/03-B14C](#) [M83513/03-D09C](#) [M83513/03-D11N](#) [M83513/03-G02N](#) [M83513/03-G05N](#) [M83513/03-G08C](#) [M83513/03-G09N](#) [M83513/03-G12N](#) [M83513/03-H13N](#) [M83513/04-E15N](#) [M83513/04-G04C](#) [M83513/10-E01NP](#) [M83513/13-B01NP](#) [M83513/13-C01NN](#) [M83513/16-A01CP](#) [M83513/22-D01NP](#) [M83513/25-B01NP](#) [6R2004A30F015](#) [6R4006A28A120](#) [703006A13F060](#) [704002A03F200](#) [705001A13F120](#) [7-1532020-5](#) [748567-1-P](#) [MDB1-31SH003](#) [MDM-15PBS-L58](#) [MDM-15PCBRM7T](#) [MDM-15PH003B-A174](#) [75-068624-59S](#) [MDM-15PH034B](#) [MDM-15SH001L](#) [MDM-15SH004B](#) [MDM-21PH003K](#) [MDM-25PH003B-A174](#) [MDM-25PHW01F-A174](#) [MDM-37PH006L-A174](#) [MDM-37PH048M5-A174](#) [MDM-37SCBRP-A174](#) [MDM-51PBS-L56](#) [MDM-51PSF](#) [MDM-51SH003M7](#) [MDM-51SSM7-A174](#) [MDM-9PBSP-L58](#) [MDM-9PH003M7](#)