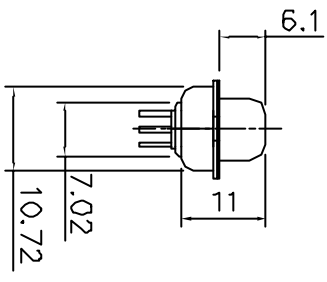
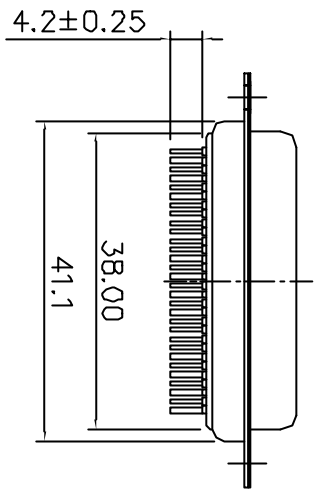
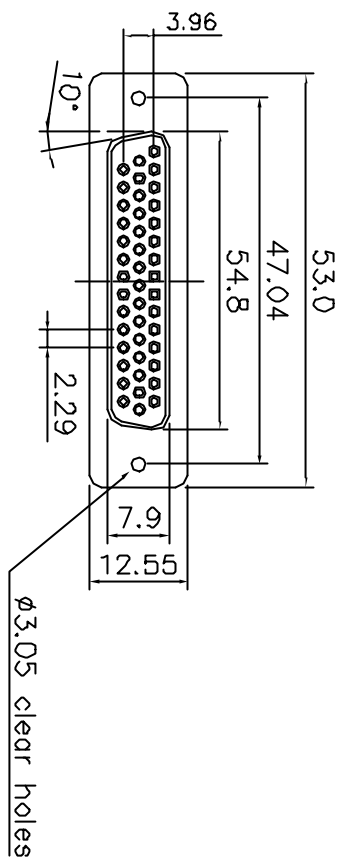


This document is the property of Amphenol Corporation and is delivered on the express condition that it is not to be disclosed, reproduced or used, in whole or in part, for the manufacture or sale by anyone other than Amphenol Corporation without its prior consent, and that no right is granted in disclosure or to use any information in this document.

FEMALE



Specifications
 Contact Resistance: 30m max. at DC 100mA
 Insulator Resistance: 1000M min. at DC 500V
 Current Rating: 3 AMP
 Dielectric Withstanding
 Voltage: AC 1000V For 1 minute
 Operating Temperature: -55°C ~ +125°C
 Contact: Brass, selective gold , see table below
 Tails : pure Tin over Nickel
 Housing: PBT & 30% Glass Fiber (UL 94V-0)
 RoHS compliant
 MSL components : level 3

Drawing number	Contact plating
L77HDB44SOL2	Gold flash
L177HDB44SOL2	15µInches
L77HDB44SOL2C309	30µInches

TOLERANCE	m/m	APPROVALS	DATE	TITLE	SCALE	REV.
X	±0.5	GDU	28/08/06	17HD SERIES HIGH DENSITY D-SUB CONNECTORS STRAIGHT PCB MOUNT SOCKET	A4	A
X.X	±0.3	JF.L	28/08/06			
X.XX	±0.2	JF.L	28/08/06			
				AMPHENOL AMPHENOL SOCAPEX Dole Plant	Scale N.A.	Sheet 1 of 1
				L--7HDB44SOL2----		

X-ON Electronics

Largest Supplier of Electrical and Electronic Components

Click to view similar products for [D-Sub High Density Connectors](#) category:

Click to view products by [Amphenol](#) manufacturer:

Other Similar products are found below :

[1484349-1](#) [163A16769X](#) [163A16809X](#) [163A17089X](#) [164A17199X](#) [164A17209X](#) [164A17479X](#) [164A18209X](#) [17BH-044S-AA110](#) [K86X-AD-26S](#) [KF66X-A26P-NJ](#) [KF66X-E15P-N](#) [241A17320X](#) [242A18390X](#) [242A25740X](#) [L717HDB44POL2R210](#) [L717HDCH62POL2RM5](#) [L717HDEH15POL2](#) [L777HDE15P](#) [L77HDC62S](#) [L77HDE15SC309](#) [163A16779X](#) [163A16839X](#) [163A17049X](#) [163A17079X](#) [164A17309X](#) [164A17329X](#) [164A18219X](#) [241A16440X](#) [241A16550X](#) [241A16680X](#) [241A17390X](#) [241A20810X](#) [241A25740X](#) [CT25-44P](#) [K66X-E15S-N30](#) [K86X-BA-44S](#) [K86X-ED-15S-BR15](#) [K86X-ED-15SK](#) [L177HDE15SOL2RM23](#) [L177HRC62S](#) [L177HRC62SVFM](#) [L177HRCG62S](#) [L717HDBH44POL2RM5](#) [L717HDEG15POL2RM5](#) [L77HDA26SVF](#) [L77HDE15SD1CO](#) [L77HDEH15SOL2RM832](#) [DAMA-15S-WS](#)
[443895-3](#)