

Products

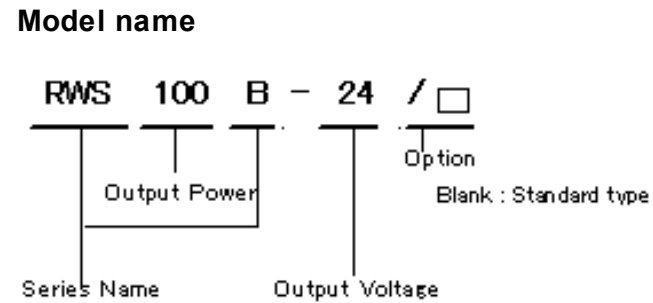
- ▶ [Products Search](#)
- ▶ [Unit Type](#)
- ▶ [PC Board Type](#)
- ▶ [Configurable](#)
- ▶ [Programmable](#)
- ▶ [Linear](#)
- ▶ [On-Board](#)
- ▶ [Power Module](#)
- ▶ [DC-AC Inverters](#)
- ▶ [Noise Filters](#)
- ▶ [Option Parts](#)

[Catalog](#) ▶

[Technical Data](#) ▶

[Discontinued Products](#) ▶

RWS-B-SERIES Single output 50-600W



■ Features

- It is the simple function model who this product maintains basic performance, and planned the optimization of the addition function.
- Long service life: Electrolytic capacitors rated for minimum 5 years (Ta = 40°C, lo = 100%, 24 h/day)
- The optional model with the DIN rail mounting bracket. And DIN rail mounting bracket option.
- Supports UL508 standard. (50-150W :5V/12V/24V output type. 300-600W:24V output type.)
- Withstand 300VAC input for 5 Second (Please refer instruction manual.)

■ Specifications [\(technical data download\)](#)

Model	RWS50B	RWS100B	RWS150B	RWS300B	RWS600B
					85~265VAC: (120~

Products Search

▼

▼

This product search is intended only for the Japanese market.

For products available in other markets, please access [the respective regional web site](#) or contact [your nearest sales office](#).

Contact

Featured Products

[Genesys Series Highest Power](#)

Input Voltage Range	85~265VAC (120~370VDC)			85~265VAC (120~370VDC) 330VDC)	
Nominal Output Voltage	5/12/24/48			5/12/15/24/36/48	
Efficiency 24V (200 VAC typ)	87%	87%	89%	88%	88%
Maximum Output Power	50W	100W	150W	300W	600W
Cooling	Convection Cooling			Forced air by blower fan	
Operating Temperature	50W:-20°C:50%, -10~+45°C:100%, +70°C:20% 100/150W:-10~+40°C:100%, +70°C:20% 300W:-10~+50°C:100%, +70°C:20% 600W:-20~+50°C:100%, +70°C:20%				
Leakage Current	<0.75mA				
EMI	Built to meet EN55022-B, CISPR22-B				
Safety	UL60950-1、CSA60950-1、CE (EN60950-1ベース)				
	UL508,CSA C22.2 No.107.1-01 (5V,12V,24V)			UL508,CSA C22.2 No.107.1-01 (24V)	
Dimension (WxHxD)mm	82×34×81.5	94×39×108	94×41×128	102×41×170	120×61×190



Density available
2400W in 1U



PFE-F SERIES
PFHC and DC-DC
converter are in
one package



■ Option lineup

Model		RWS50B	RWS100B	RWS150B	RWS300B	RWS600B
Option	/CO2	●	●	●	●	●
	/R	-	-	-	●	●
	/FO	-	-	-	-	●

	/RFO	-	-	-	-	•
	/DIN	•(5-24V)	•(24V)	•(24V)	-	-
Option guide	/CO2 : Double-sided coating /R : With remote ON/OFF control model /FO : With remote sensing, Low output voltage (LV) signal, Parallel Operation /RFO : With remote sensing, Low output voltage (LV) signal, Parallel Operation, Remote ON/OFF control /DIN : DIN rail mountable					

As for the mention contents of this page, understand beforehand because it sometimes changes.

▲ Page Top

TDK-Lambda group websites

ASIA

Country/Region	Language
JAPAN	Japanese
	English
CHINA	Chinese
KOREA	Korean
SINGAPORE	English

U.S.A.

Country/Region	Language
NORTH AMERICA	English(High Power)
	English(Low Power)
SOUTH AMERICA	Spanish
	Portuguese

EUROPE

Country/Region	Language
FRANCE	French
GERMANY	German
ISRAEL	Hebrew
ITALY	Italian
Netherlands	Nederlandse
RUSSIA	Russian
U.K.	English

[TDK-Lambda - the world's leading manufacturer of power supply](#)

| [Contact](#) | [Sitemap](#) | [TDK Corporate Website](#) |

Copyright © TDK-Lambda Corporation All rights reserved.

TDK logo is a trademark or registered trademark of TDK Corporation.

X-ON Electronics

Largest Supplier of Electrical and Electronic Components

Click to view similar products for [Switching Power Supplies](#) category:

Click to view products by [TDK-Lambda](#) manufacturer:

Other Similar products are found below :

[70841011](#) [73-551-0005](#) [AAD600S-4-OP](#) [R22095](#) [HWS50A-5/RA](#) [KD0204](#) [9021](#) [S-15F-12](#) [LDIN100150](#) [LPM000-BBAR-01](#) [LPX17S-C](#)
[EVS57-10R6/R](#) [FDC40-24S12](#) [FRV7000G](#) [22929](#) [CQM1IA121](#) [40370121900](#) [VI-PU22-EXX](#) [40370121910](#) [LDIN5075](#) [432703037161](#)
[WRB01X-U](#) [LPX140-C](#) [08-30466-1040G](#) [09-160CFG](#) [70841004](#) [70841025](#) [VPX3000-CBL-DC](#) [LPM000-BBAR-05](#) [LPM000-BBAR-08](#)
[LPM124-OUTA1-48](#) [LPM000-BBAR-07](#) [LPM109-OUTA1-10](#) [LPM616-CHAS](#) [08-30466-1055G](#) [08-30466-2175G](#) [DMB-EWG](#) [TVQF-](#)
[1219-18S](#) [6504-226-2101](#) [CQM1IPS01](#) [XPFM201A+](#) [MAP80-4000G](#) [LFP300F-24-TY](#) [SMP21-L20-DC24V-5A](#) [VI-MUL-ES](#) [08-30466-](#)
[0065G](#) [CME240P-24](#) [VI-RU031-EWWX](#) [08-30466-0028G](#) [S82Y-TS01](#)