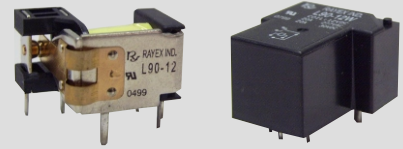


# L90 SERIES

## FEATURES

- Up to 30A switching capacity in 1PST and 20A switching in 1PDT arrangement
- Open-frame and plastic sealed types are available
- Using at home appliances, power switching appliances, car controller, heating, ventilating, and conditioning systems



UL FILE NO.: E126167  
 CUL FILE NO.: E126157  
 TUV FILE NO.: R50008132

## ORDERING INFORMATION

L90   A   S   —   12   A   W  
 1        2        3                    4        5        6

- |  |   |
|--|---|
| 1. Type  | 4. Coil Nominal Voltage                                 |
| 2. Contact Arrangement<br>Nil : 1 Form C(1PDT)<br>A : 1 Form A(1PST-NO)<br>B : 1 Form B(1PST-NC)         | 5. Coil Nominal Voltage Type<br>Nil : DC<br>A : AC      |
| 3. Common Terminals Type<br>Nil : Standard Type<br>S : Without Common Terminal<br>between coil terminals | 6. Enclosure Type<br>Nil : Open Type<br>W : Sealed Type |

## COIL DATA(at 25°C)

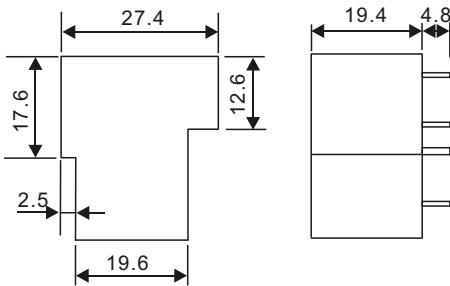
DC 0.9 W				AC 1.2 VA			
Coil Nominal Voltage (VDC)	Resistance Tol.±10% (Ohms)	Maximum Pick Up Voltage (V)	Minimum Drop Out Voltage (V)	Coil Nominal Voltage (50/60Hz)	Resistance Tol.±10% (Ohms)	Maximum Pick Up Voltage (V)	Minimum Drop Out Voltage (V)
5	27	3.75	0.5	6	10	5.1	0.6
6	40	4.5	0.6	12	43	10.2	1.2
9	97	6.75	0.9	24	160	20.4	2.4
12	155	9.0	1.2	110	3,160	93.5	11.0
18	380	13.5	1.8	220	13,490	187.0	22.0
24	660	18.0	2.4	277	19,900	235.4	27.7
48	2,560	36.0	4.8				

## CONTACT RATING

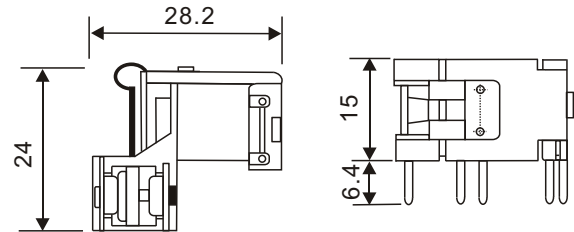
1A(1PST-NO)	Resistive (Cos. = 1)	AC 240V / 30A	AC 277V / 20A	DC 30V / 20A
1B(1PST-NC)	Resistive (Cos. = 1)	AC 240V / 20A	AC 277V / 15A	DC 30V / 10A
1C(1PDT)	Resistive (Cos. = 1)	NO : AC 240V / 30A	NO : AC 277V / 20A	NO:DC 30V / 20A
	Resistive (Cos. = 1)	NC : AC 240V / 20A	NC : AC 277V / 15A	NC:DC 30V / 10A

## DIMENSIONS(mm)

SEALED TYPE

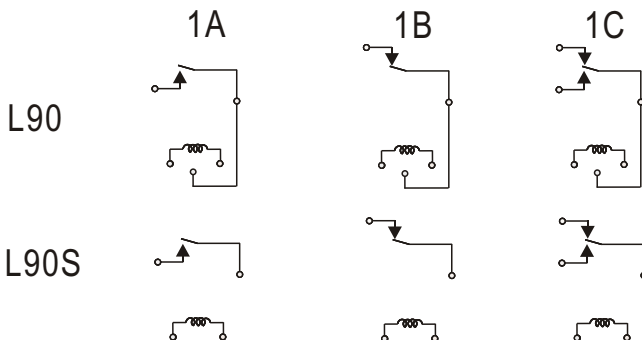


OPEN TYPE



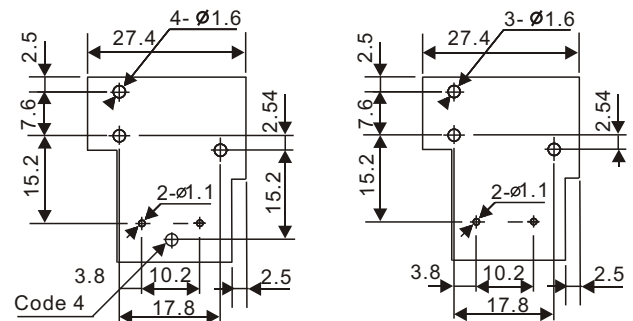
P.C.B LAYOUT  
(BOTTOM VIEW)

WIRING DIAGRAM(BOTTOM VIEW)



L90

L90S



## GENERAL DATA

Insulation Resistance	500 M Min. (DC 500V)
Dielectric Strength	1,500 VAC, 50/60Hz between contact.
	2,000 VAC(L90S:2500), 50/60Hz between all elements
Contact Material	Silver- Cadmium Oxide as standard.
Contact Resistance	50 milliohms max. (initial value)
Shock Resistance	Malfunction: 10G(11ms) ; Destructive: 100G(6ms)
Vibration Resistance	Malfunction: 10 to 55 Hz. at Double Amplitude of 1.5 mm
	Destructive: 10 to 55 Hz. at Double Amplitude of 1.5 mm
Operation Time	15 ms max.
Release Time	15 ms max.
Temperature Range	- 55°C ~ + 85°C
Expected Life	With operation rate 30/min.
	Mechanical - 10,000,000 operations min.
	Electrical - 100,000 operations min. at rated load.
Weight	25 grams

## X-ON Electronics

Largest Supplier of Electrical and Electronic Components

*Click to view similar products for [General Purpose Relays](#) category:*

*Click to view products by [Rayex](#) manufacturer:*

Other Similar products are found below :

[APF30318](#) [JVN1AF-4.5V-F](#) [PCN-105D3MHZ](#) [5JO-10000S-SIL](#) [5JO-1000CD-SIL](#) [5JO-400CD-SIL](#) [LY2S-AC220/240](#) [LYQ20DC12](#)  
[6031007G](#) [6131406HQ](#) [6-1393099-3](#) [6-1393099-8](#) [6-1393122-4](#) [6-1393123-2](#) [6-1393767-1](#) [6-1393843-7](#) [6-1415012-1](#) [6-1419102-2](#) [6-](#)  
[1423698-4](#) [6-1608051-6](#) [6-1608067-0](#) [6-1616170-6](#) [6-1616248-2](#) [6-1616282-3](#) [6-1616348-2](#) [6-1616350-1](#) [6-1616350-8](#) [6-1616358-7](#) [6-](#)  
[1616359-9](#) [6-1616360-9](#) [6-1616931-6](#) [6-1617039-1](#) [6-1617052-1](#) [6-1617090-2](#) [6-1617090-5](#) [6-1617347-5](#) [6-1617353-3](#) [6-1617801-8](#) [6-](#)  
[1617802-2](#) [6-1618107-9](#) [6-1618248-4](#) [M83536/1-027M](#) [CX-4014](#) [MAHC-5494](#) [MAVCD-5419-6](#) [703XCX-120A](#) [7-1393100-5](#) [7-1393111-7](#)  
[7-1393144-5](#) [7-1393767-8](#)