

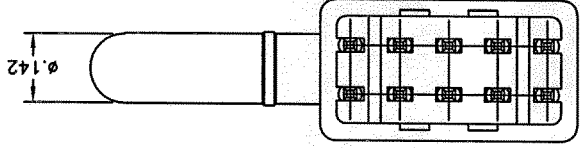
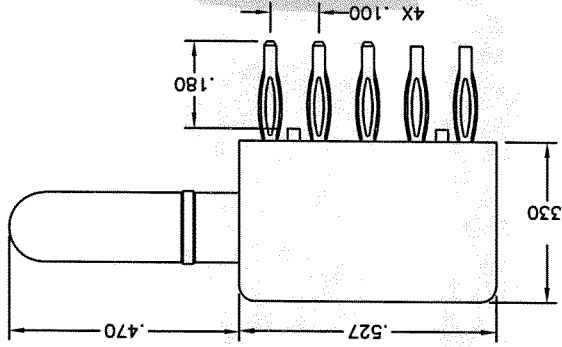
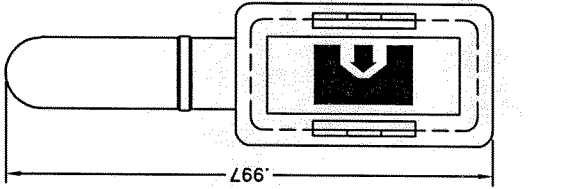
The drawing is the property of Tyco Electronics Corporation, and all design, manufacture, reproduction, use and right in it is limited for a specific purpose and the drawings are not to be reproduced, modified, copied and control and approved for sale without the express written permission of Tyco Electronics Corporation.

- REFERENCE TYCO ASSEMBLY PART NUMBER 6643223-1
 A FIVE-POUND (5lb) FORCES REQUIRED TO CORRECTLY SEAT THE CONNECTOR WITH PLATED THRU HOLES LESS THEN ϕ .040 INCH.
- FINISH:
 CROWN HOLDER - SILVER PLATED
 CROWN - GOLD PLATED
 PIN CONTACT - SILVER PLATED

- MATERIAL:
 INSULATOR - POLYESTER, GLASS FILLED, UL 94 V-0 RATED, COLOR-BLACK
 CROWN HOLDER - BECU
 CROWN - BECU
 PIN CONTACT - BRASS

- ITEMS PROVIDED TO THIS SPECIFICATION SHALL BE IDENTIFIED ON CONTAINER WITH THE FOLLOWING INFORMATION PART NUMBER AND DATE CODE OF MANUFACTURE.
- PART NUMBER CHANGES AND/OR DESIGN CHANGES AFFECTING ITEM INTERCHANGEABILITY REQUIRE PRIOR TYCO APPROVAL AND AUTHORIZATION BY REVISION TO THIS DRAWING.

NOTES: UNLESS OTHERWISE SPECIFIED



ϕ .142

REVISIONS			
EC	REV	DESCRIPTION	DATE
	A	NEW RELEASE	07.29.05

TYCO ELECTRONICS CORPORATION MEMPHIS, TENNESSEE

DATE 07.29.05

CHECKED

RHM/LOVATO

UNLESS OTHERWISE SPECIFIED DIMENSIONS ARE IN INCHES (METRIC)

TOLERANCES

ANGLES \pm .5°

DECIMALS .001

XX \pm .020 [.508]

ACAD FILE NUMBER C6643223A.DWG

DWG SCALE 4=1 SH 1 OF 2

REV. A

SIZE DWG NUMBER

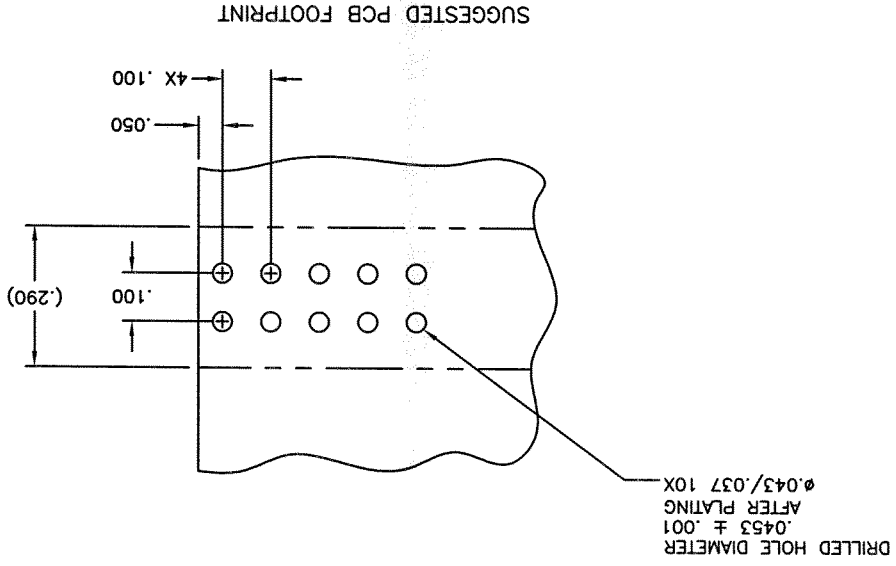
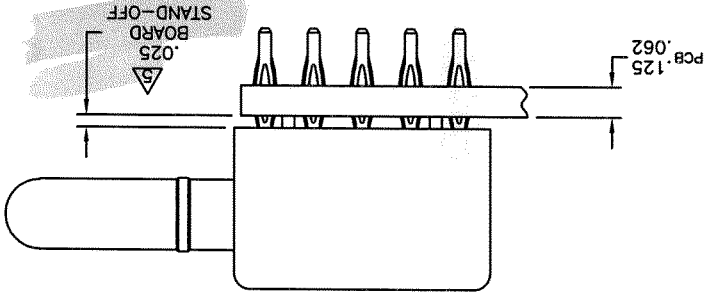
PARALLEL PIN, SLIMLINE ICON COMPLIANT, LOCKING, .470 PIN EXT

TITLE

TYCO ELECTRONICS CORPORATION MEMPHIS, TENNESSEE

ELGON

This drawing is the property of Tyco Electronics Corporation, and all design, manufacturing, reproduction, use and sale rights, including the name are expressly reserved. If it is submitted for a specific purpose and the recipient by accepting the drawing, assumes responsibility for its use. The drawing will be returned to the designer and the recipient and control and agreed to take responsibility for its use. The drawing will be returned to the designer and the recipient, or to any person assigned to make the part, or its contents revealed in any manner, for which it was delivered and (b) that any special feature peculiar to the design will not be incorporated in other products without the expressed written permission of Tyco Electronics Corporation.

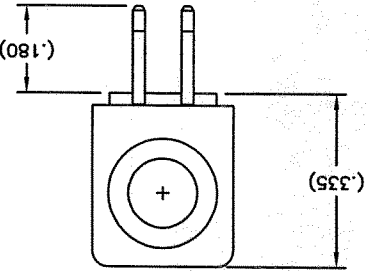


SUGGESTED PCB FOOTPRINT

MM OR INCH (MM)
 THIRD ANGLE PROJECTION
 UNLESS OTHERWISE SPECIFIED DIMENSIONS ARE IN INCHES (METRIC)
 TOLERANCES
 ANGLES ± .5°
 DECIMALS
 .XXX ± .020 [.508]

DRAWN	DATE	RHM/LOVATO	CHECKED	TITLE	SIZE	DWG NUMBER	REV.
	07.29.05			PARALLEL PIN, SLIMLINE ICON COMPLIANT, LOCKING, .470 PIN EXT	B	6643223	A
ACAD FILE NUMBER	06643223A.DWG						
DWG SCALE	4=1						
SH	2 OF 2						

tyco Electronics
 Tyco Electronics Corporation
 Merito Park, Ca 94025
ELCON



REVISIONS		
EC	REV	DESCRIPTION
		SEE SHEET 1
		DATE

X-ON Electronics

Largest Supplier of Electrical and Electronic Components

Click to view similar products for [Power to the Board](#) category:

Click to view products by [TE Connectivity](#) manufacturer:

Other Similar products are found below :

[10131318-08512GRLF](#) [6450171-4](#) [6450552-7](#) [6600323-8](#) [6643429-1](#) [6646040-2](#) [6651939-1](#) [6766604-1](#) [120959-1](#) [1393557-2](#) [1393532-2](#)
[1393532-3](#) [1393532-4](#) [1393557-1](#) [1600812-5](#) [1-6450861-2](#) [1645595-1](#) [1743490-1](#) [1744132-7](#) [1761122-1](#) [1766169-1](#) [1766250-1](#) [18362](#)
[1892109-1](#) [1-967627-6](#) [2226808-1](#) [2-6450860-5](#) [2-6450860-6](#) [2-6450870-0](#) [93003-0502](#) [953552-1](#) [1-6450161-4](#) [1-6450850-6](#) [1645526-2](#) [1-](#)
[6600130-0](#) [1743419-1](#) [1766150-1](#) [2005243-2](#) [211110-1](#) [2-6600130-2](#) [TE34-12-16P-F0](#) [51700-10201602AALF](#) [5-6450830-6](#) [5646956-4](#)
[36662-0005](#) [40585-3000](#) [4-6450830-9](#) [4-6600333-3](#) [51142-0214](#) [10125416-4050LF](#)