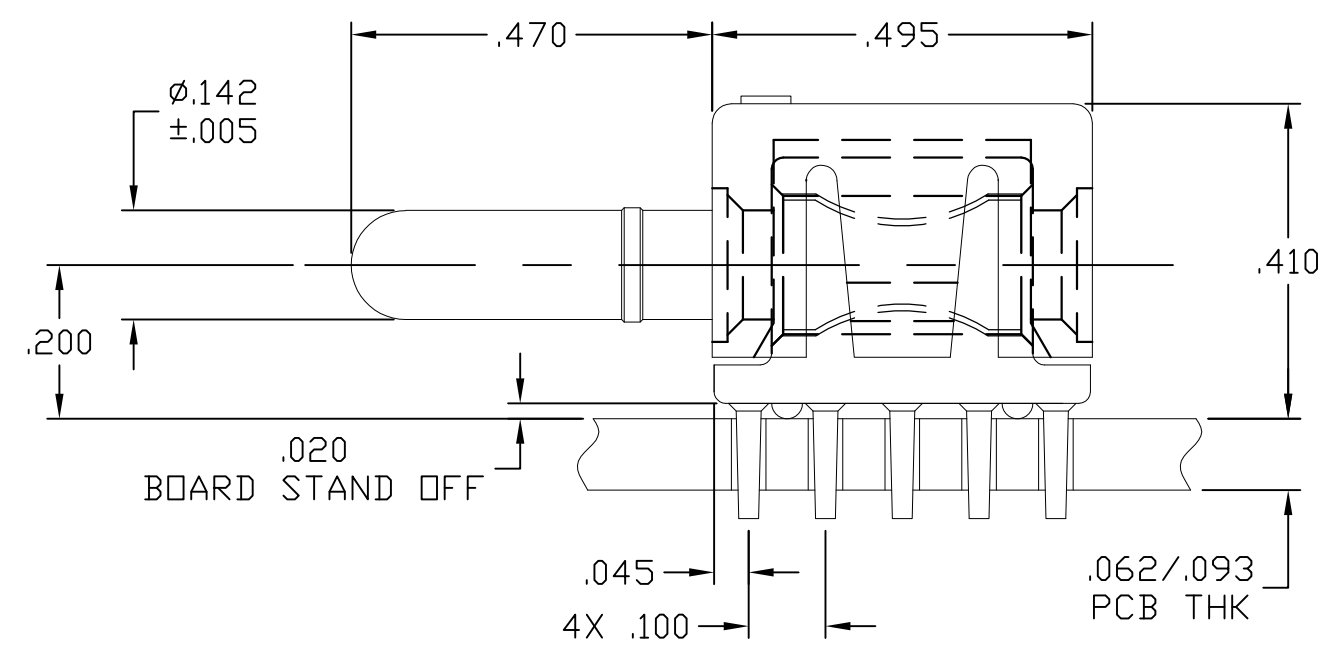
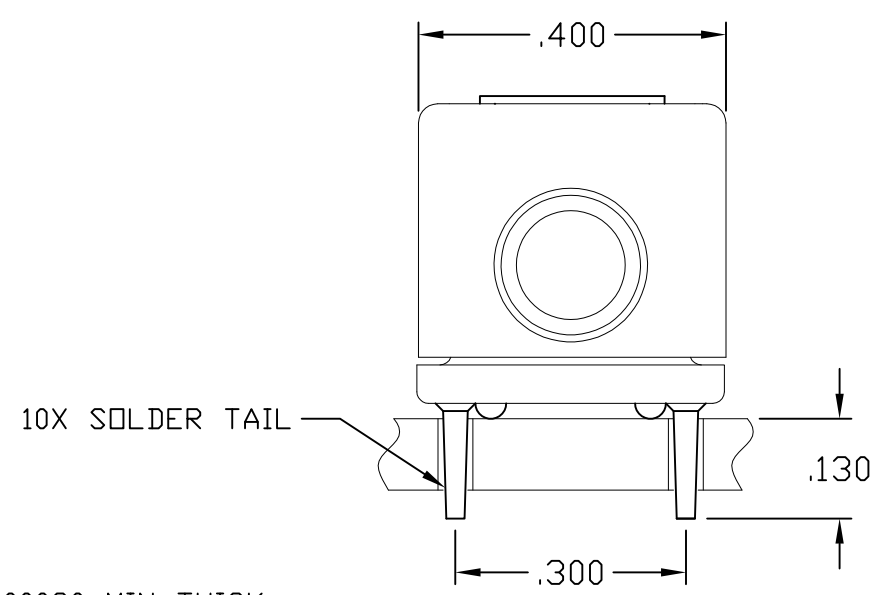
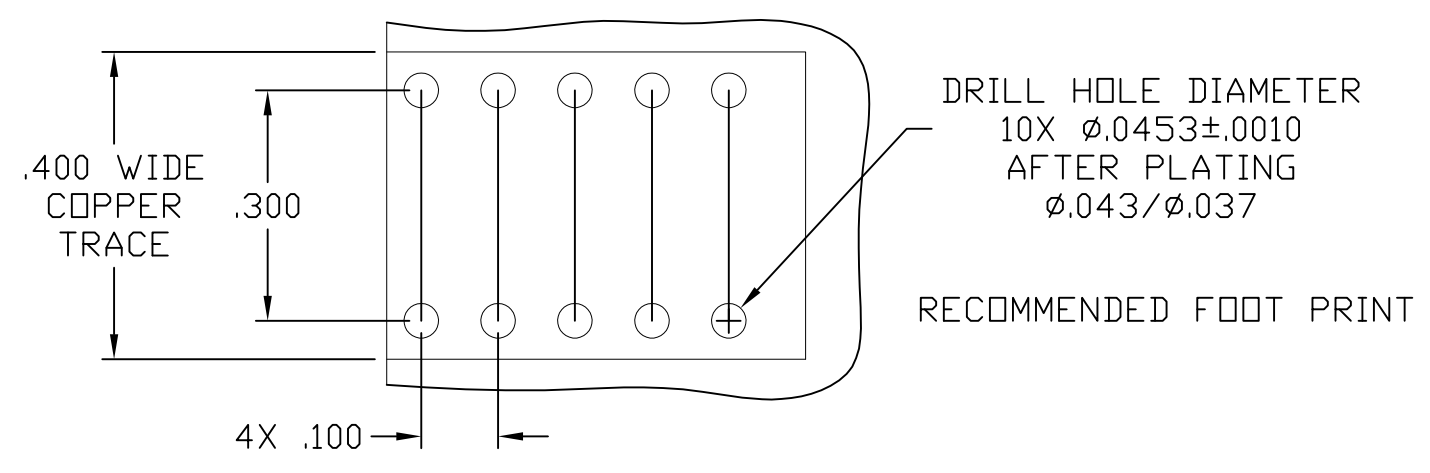


THIS DRAWING IS UNPUBLISHED. RELEASED FOR PUBLICATION  
 © COPYRIGHT - By - ALL RIGHTS RESERVED.

LOC	DIST	REVISIONS					
GP	00	P	LTR	DESCRIPTION	DATE	DWN	APVD
			C	REV PER ECO-11-007678	11MAY2011	RG	DO



4. FINISHES:  
 CROWN: GOLD PLATED, .000030 MIN THICK  
 OVER NICKEL PLATED, .000040 MIN THICK.  
 INSERT: SILVER PLATED, .000200 MIN THICK,  
 OVER NICKEL PLATED, .000040 MIN THICK.  
 CONTACT: SILVER PLATED, .000200 MIN THICK,  
 OVER NICKEL PLATED, .000040 MIN THICK.

3. MATERIALS:  
 HOUSING: THERMOPLASTIC, GLASS REINFORCED, COLOR-BLACK  
 UL94V-0 FLAMMABILITY RATED  
 INSERT: ZINC ALLOY, CASTING  
 CROWN: COPPER ALLOY  
 CONTACT: BRASS ALLOY

2. ITEMS PROVIDED TO THIS SPECIFICATION SHALL BE IDENTIFIED ON THE CONTAINER WITH THE FOLLOWING INFORMATION: PART NUMBER & DATE CODE OF MANUFACTURE.

1. INTERCHANGEABILITY REQUIRE PRIOR TE APPROVAL AND AUTHORIZATION BY REVISION TO THIS DRAWING.

5. A FIVE POUND (5lb) FORCE IS REQUIRED TO CORRECTLY SEAT THE CONNECTOR WITH PLATED THRU HOLES LESS THAN  $\phi.040$  INCH.

6643276-1  
 PART NUMBER

THIS DRAWING IS A CONTROLLED DOCUMENT.		DWN HA/GRZYBOWSKI 06/19/06	TE Connectivity														
DIMENSIONS: INCHES		CHK - APVD FLICKINGER 06/19/06					NAME ICCON, PIN, SIZE No.8 PARALLEL SOLDER TAIL, 10 PIN FOOT PRINT LOCKING STYLE, .470 PIN EXT										
TOLERANCES UNLESS OTHERWISE SPECIFIED:		PRODUCT SPEC -	APPLICATION SPEC -														
<table border="1"> <tr><td>0 PLC</td><td>± -</td></tr> <tr><td>1 PLC</td><td>± -</td></tr> <tr><td>2 PLC</td><td>± .02</td></tr> <tr><td>3 PLC</td><td>± .010</td></tr> <tr><td>4 PLC</td><td>± -</td></tr> <tr><td>ANGLES</td><td>± .5</td></tr> </table>		0 PLC	± -	1 PLC	± -	2 PLC	± .02	3 PLC	± .010	4 PLC	± -	ANGLES	± .5	SIZE A3	CAGE CODE 00779	DRAWING NO C-6643276	RESTRICTED TO -
0 PLC	± -																
1 PLC	± -																
2 PLC	± .02																
3 PLC	± .010																
4 PLC	± -																
ANGLES	± .5																
MATERIAL -		FINISH -	WEIGHT -		CUSTOMER DRAWING												
			SCALE 4:1	SHEET 1 OF 1	REV C												

## X-ON Electronics

Largest Supplier of Electrical and Electronic Components

*Click to view similar products for [Power to the Board](#) category:*

*Click to view products by [TE Connectivity](#) manufacturer:*

Other Similar products are found below :

[10131318-08512GRLF](#) [6450171-4](#) [6450552-7](#) [6600323-8](#) [6643429-1](#) [6646040-2](#) [6651939-1](#) [6766604-1](#) [120959-1](#) [1393557-2](#) [1393532-2](#)  
[1393532-3](#) [1393532-4](#) [1393557-1](#) [1600812-5](#) [1-6450861-2](#) [1645595-1](#) [1743490-1](#) [1744132-7](#) [1761122-1](#) [1766169-1](#) [1766250-1](#) [18362](#)  
[1892109-1](#) [1-967627-6](#) [2226808-1](#) [2-6450860-5](#) [2-6450860-6](#) [2-6450870-0](#) [93003-0502](#) [953552-1](#) [1-6450161-4](#) [1-6450850-6](#) [1645526-2](#) [1-](#)  
[6600130-0](#) [1743419-1](#) [1766150-1](#) [2005243-2](#) [211110-1](#) [2-6600130-2](#) [TE34-12-16P-F0](#) [51700-10201602AALF](#) [5-6450830-6](#) [5646956-4](#)  
[36662-0005](#) [40585-3000](#) [4-6450830-9](#) [4-6600333-3](#) [51142-0214](#) [10125416-4050LF](#)