

Receptacle Contacts

**Technical Features**

**Contact Material:**

CuSn, CuFe, CuNiSi  
Cantilever Spring: Stainless Steel

**Contact Finish:**

- tin plated
- silver plated
- selective gold plated

**Wire Size Range:**

0.2-2.5 mm<sup>2</sup>  
FLK and FLR

**Contact Resistance**

(New State):

CuFe: <2 mΩ  
CuSn: <3 mΩ

**Total Temperature max.:**

- 40 °C to +130 °C (tin plated)
- 40 °C to +140 °C (silver plated)
- 40 °C to +150 °C (gold plated)

**Mating Cycles:**

- 10 (tin plated)
- 50 (silver plated)
- 100 (gold plated)

**Insertion Force:**

max. 15 N

**Extraction Force:**

min. 1.5 N

**Retention Force:**

- from housings without second locking device min. 100 N
- from housings only second locking device min. 60 N

**Dimensions of Male Contacts:**

2.8 mm x 0.8 mm

**Centerlines**  
(Standard/SWS):

5.0 x 5.5 mm  
5.0 x 5.0 mm (Staggered)

**Extraction Tool:**

Part No. **968107-1**

**Product Group Drawing:**

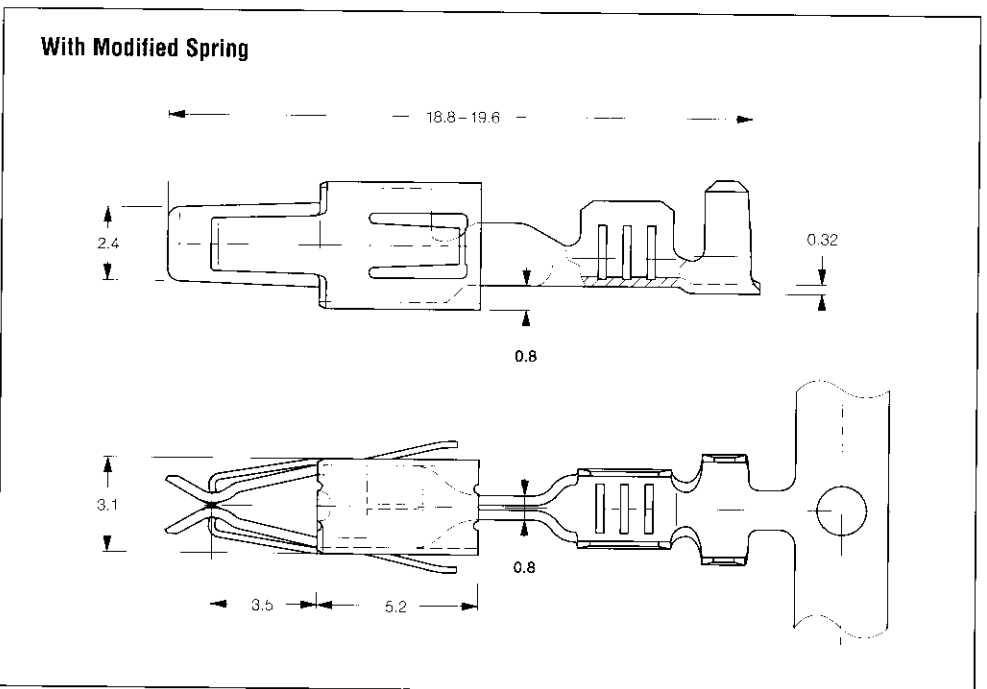
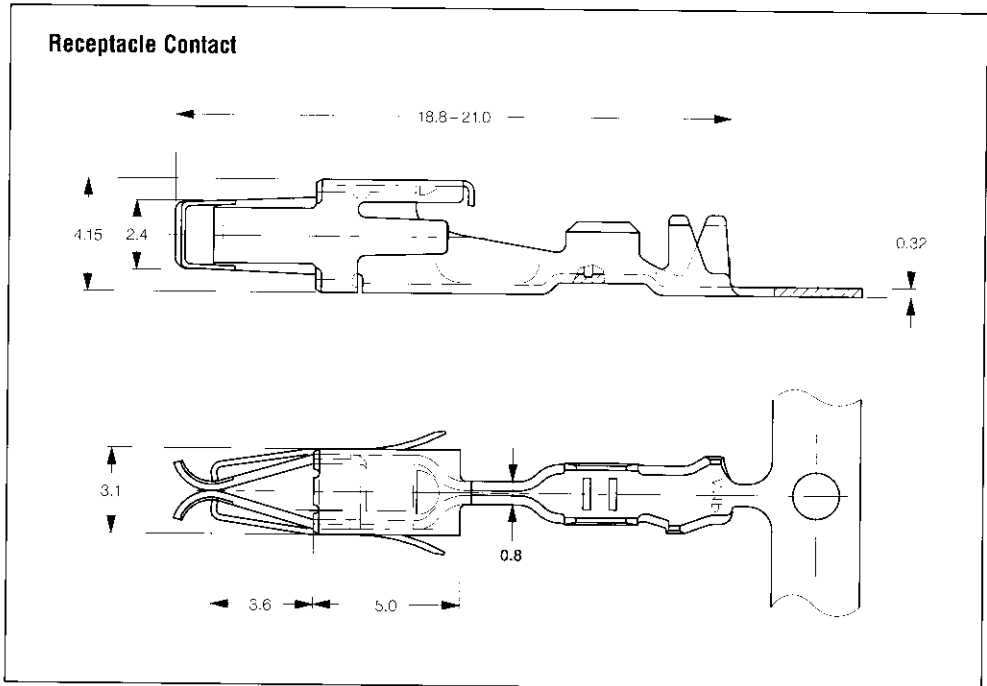
1355046  
1355047 (Modified Spring)

**Product Specification:**

108-18013

**Application Specification:**

114-18050



**Max. Current in 7 Positions Housing**

Material	Temperature (° C)	Current Carrying Capacity (Ampere)		
		1.0 mm <sup>2</sup>	1.5 mm <sup>2</sup>	2.5 mm <sup>2</sup>
CuFe	20	16.0	20.0	25.0
	90	7.5	9.5	12.0
CuSn	20	15.0	19.0	22.5
	90	7.0	9.0	11.0

## X-ON Electronics

Largest Supplier of Electrical and Electronic Components

*Click to view similar products for te connectivity manufacturer:*

Other Similar products are found below :

[570416-000](#) [CLTEQ-M81CE-SSRELAY-4-20V](#) [4-1633138-8](#) [D38999/24FJ4AN](#) [4-1195131-0](#) [650069-000](#) [SMD100-2](#) [2EDL4CM](#)  
[DTS20W19-11PD-3028](#) [DTS20W19-11PD-3028-LC](#) [DTS20W19-32SD-3028-LC](#) [DTS20W19-32SD-3028](#) [NC6-P104-06](#) [TXR64AB90-](#)  
[3616AI](#) [DTS26F21-41HE](#) [DTS26F21-41AE](#) [DTS26F21-41PE-LC](#) [DTS26F21-11SE-3028-LC](#) [D38999/24WF32JE](#) [D38999/24WF32SE-LC](#)  
[DTS24W19-32HE](#) [D38999/20JB35HA](#) [D38999/24WJ20PA](#) [164-8033-08](#) [D38999/24FF32JE](#) [D38999/24FF32SE-LC](#) [D38999/24WF32JB](#)  
[D38999/24WG11HA](#) [D38999/24WG11HN](#) [MS27467T21F11H](#) [DJT16E21-11HA](#) [DTS24F19-32HE](#) [DTS20W19-32SA-3028-LC](#) [DTS24F19-](#)  
[11SC-3028-LC](#) [DTS24F19-11SC-3028](#) [DJT14E13-98HB](#) [D38999/20WC8BB](#) [1-330599-5](#) [DTS24F21-41HN-LC](#) [DTS24F21-41HN](#)  
[DTS24F21-41AN](#) [DTS24F21-39HN](#) [DTS24F21-41PN-LC](#) [AFD50-10-6SN-1A-LC](#) [DJT10F17-26HC](#) [DTS24W19-32HB](#) [ACT20JE99HA](#)  
[DJT10E17-26HC](#) [DJT10E17-26HN](#) [DJT10F17-26HA](#)