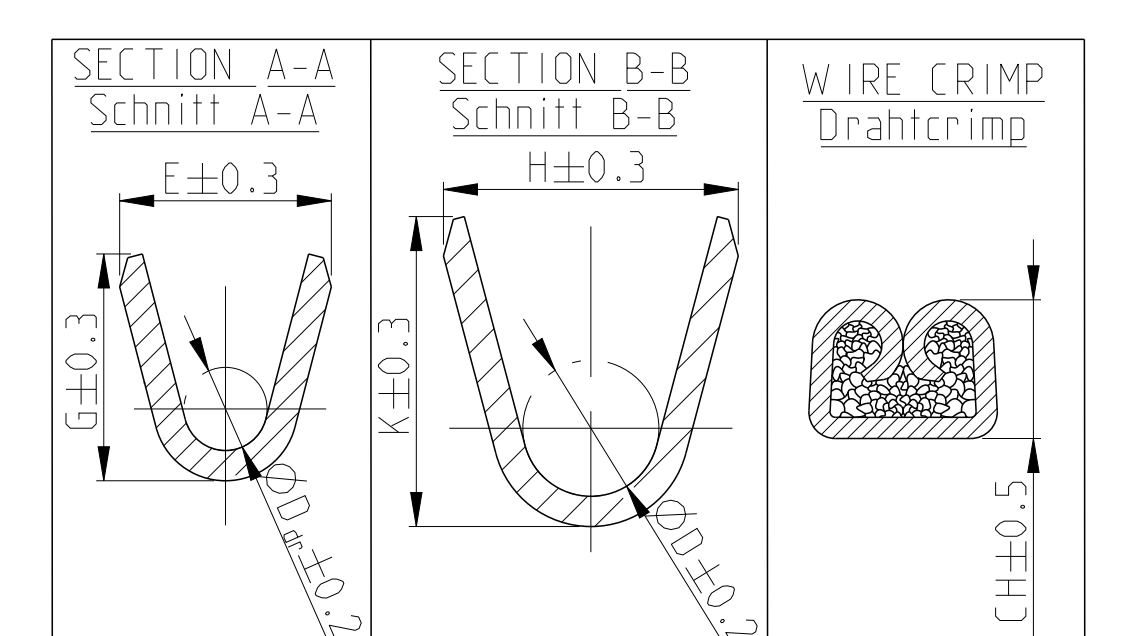
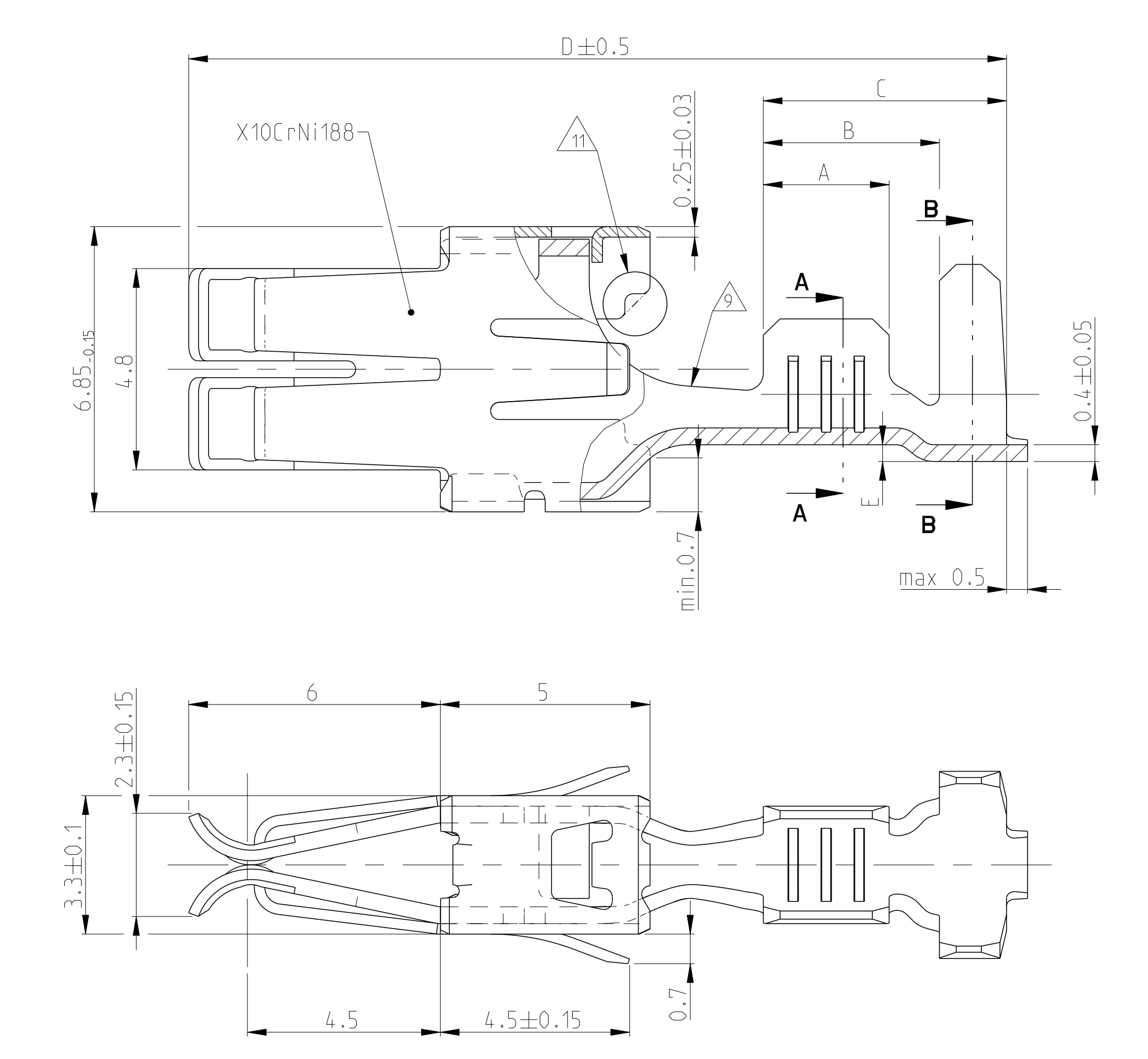


REV	DATE	DESCRIPTION	BY	CHK	APPD
B3	12-01-2011	SEE ECR 12-016501	MSB/2012	JS	RS
B4	14-01-2015	ECR-14-010155	MAG/2014	S.K	J.P
B5	15-01-2017	ECR-15-012070	MAG/2016	J.B.H	B.K
B6	15-01-2021	ECR-15-012291	ODDC/2016	J.B.H	J.P



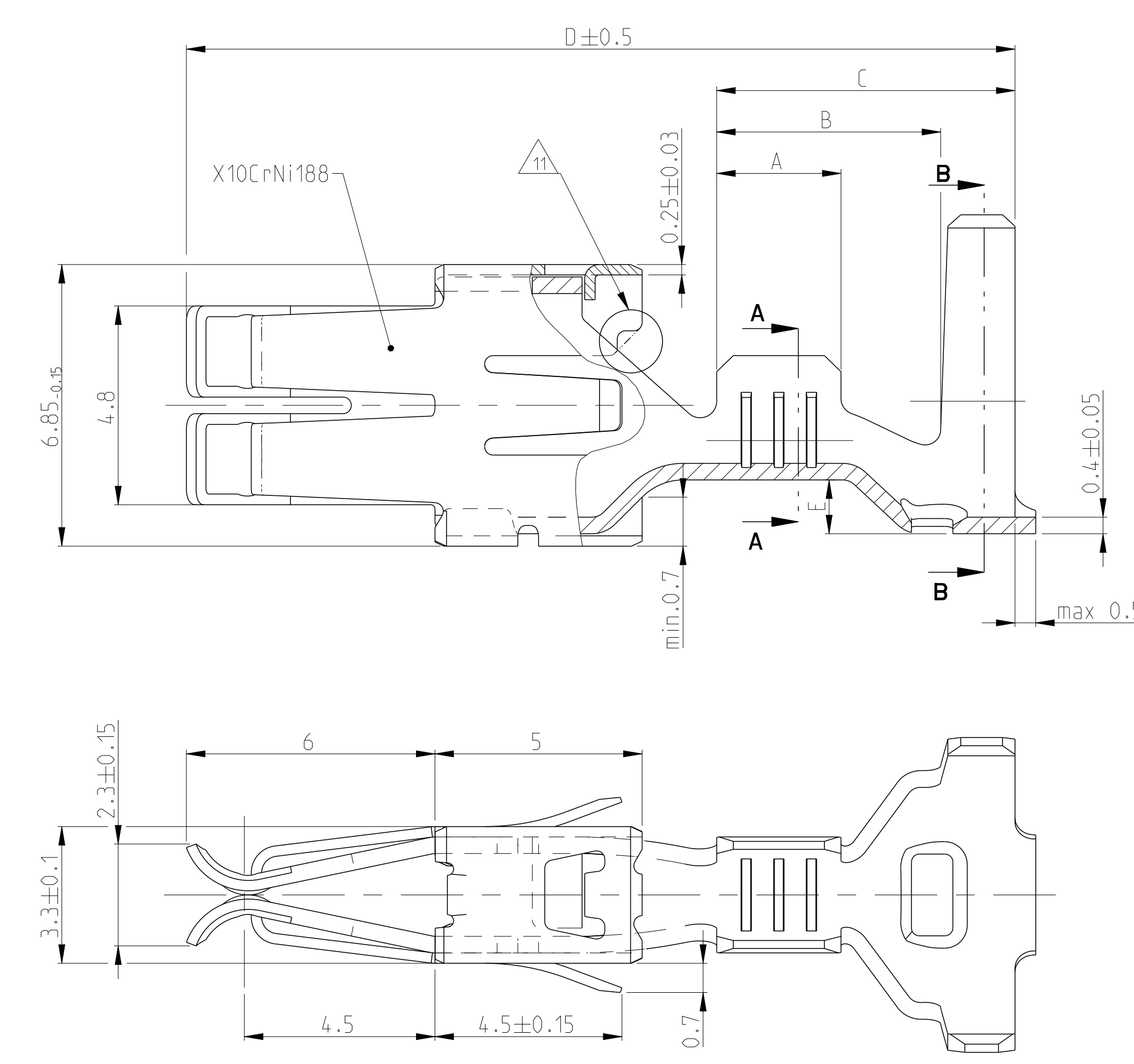
PART NO.	REV	MATERIAL	SURFACE	Dwg WIRE RANGE	WIRE CRIMP			MQC- Applicator	EXTRACTION TOOL	HAND TOOL	A	B	C	D	E
					WIRE CRIMP Drahtcrimp	INSUL. CRIMP Iso- crimp	CRIMP HEIGHT Crimp-Hoehe								
927839-5	C	CuFe2	vorversilbert PRESILVERED	0.2 - 0.5 FLK	E = 2.2 G = 2.2 D = 0.8	H = 3.7 K = 3.8 D = 2.0	0.20mm ² = 1.13 0.25mm ² = 1.15 0.35mm ² = 1.19 0.50mm ² = 1.26	MQC - Applicator 878426-2	539635-1 WITH DIE: mit Matrize 539744-2	2.5	3.8	6.6	19.5	0.3	
927827-2	C	CuSn4	vorverzinkt PRE TINNED	0.5 - 1.0 FLK	E = 2.8 G = 4.1 D = 1.1	H = 4.5 K = 4.7 D = 2.4	0.5mm ² = 1.38 0.75mm ² = 1.47 1.0mm ² = 1.56	MQC - Applicator 2-541689-2	539733-2 WITH DIE: mit Matrize 734249-0	3	4.2	5.8	19.5	0.4	
927833-5	D	CuFe2	vorverzinkt PRE TINNED	>1.0 - 2.5 FLK	E = 3.8 G = 4.1 D = 1.6	H = 5.7 K = 5.8 D = 3.6	1.5mm ² = 1.76 2.0mm ² = 1.90 2.5mm ² = 2.04	MQC - Applicator 878367-2	539635-1 WITH DIE: mit Matrize 539733-2	3.5	4.7	6.3	19.5	0.4	
927824-2	C	CuSn4	vorverzinkt PRE TINNED	>2.5 - 4.0 FLK	E = 4.6 G = 4.8 D = 2.4	H = 6.3 K = 6.4 D = 4.0	3.0mm ² = 2.13 4.0mm ² = 2.35	MQC - Applicator 2-878314-2	539635-1 WITH DIE: mit Matrize 539734-2	4	5.2	6.8	19.5	0.6	
963709-5	C	CuFe2	vorversilbert PRESILVERED	4.0 - 6.0 FLK	E = 5.2 G = 5.5 D = 2.9	H = 7.3 K = 7.6 D = 4.5	4.0mm ² = 2.17 5.0mm ² = 2.36 6.0mm ² = 2.55	MQC - Applicator 2-878738-2	-	4.2	5.6	7.7	20	0.6	
963709-4	C	CuSn4	vorverzinkt PRE TINNED												
963709-3	C	CuSn4	vorverzinkt PRE TINNED												
1241818-6	B	CuNiSi	vorversilbert PRESILVERED	0.2 - 0.5 FLR	E = 2.2 G = 2.2 D = 0.8	H = 2.8 K = 2.8 D = 1.4	0.2mm ² = 1.13 0.35mm ² = 1.19 0.5mm ² = 1.26	MQC - Applicator 878427-2	-	2.5	3.8	6.4	19.5	0.3	
1241818-5	B	CuFe2	vorverzinkt PRE TINNED												
927831-5	C	CuFe2	vorversilbert PRESILVERED	0.5 - 1.0 FLR	E = 2.8 G = 3.0 D = 1.1	H = 3.9 K = 4.1 D = 1.8	0.5mm ² = 1.43 0.75mm ² = 1.52 1.0mm ² = 1.61	MQC - Applicator 878328-2	WITH DIE: mit Matrize 734781-1	3	4.2	5.8	19.5	0.4	
927831-4	C	CuSn4	vorverzinkt PRE TINNED												
927831-2	C	CuSn4	vorverzinkt PRE TINNED												
927837-6	D	CuFe2	vorversilbert PRESILVERED	>1.0 - 2.5 FLR	E = 3.8 G = 4.1 D = 1.6	H = 4.8 K = 4.9 D = 2.6	1.25mm ² = 1.69 1.5mm ² = 1.76 2.0mm ² = 1.90 2.5mm ² = 2.04	MQC - Applicator 878356-2	WITH DIE: mit Matrize 734251-0	3.5	4.7	6.3	19.5	0.4	
927837-5	D	CuFe2	vorversilbert PRESILVERED												
927837-4	D	CuSn4	vorverzinkt PRE TINNED												
927829-5	D	CuFe2	vorverzinkt PRE TINNED	>2.5 - 4.0 FLR	E = 4.6 G = 4.8 D = 2.4	H = 5.5 K = 5.7 D = 3.3	3.0mm ² = 2.13 3.5mm ² = 2.24 4.0mm ² = 2.35	MQC - Applicator 2-878384-2	WITH DIE: mit Matrize 734251-0	4	5.2	6.8	19.5	0.6	
927829-1	D	CuFe2	vorverzinkt PRE TINNED												

VERSION A (UNSEALED / ungedichtet)

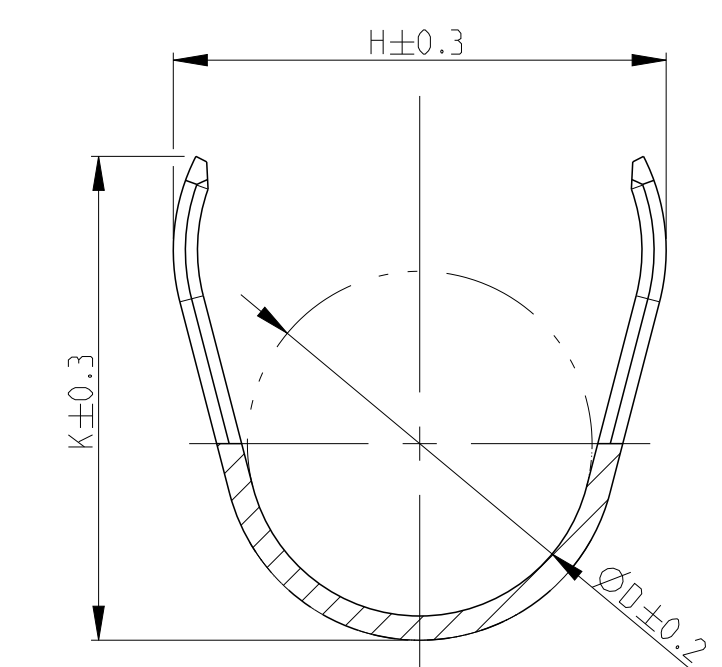


PART NO.	REV	MATERIAL	SURFACE	Dwg WIRE RANGE	WIRE CRIMP			MQC- Applicator	EXTRACTION TOOL	HAND TOOL	A	B	C	D	E
					WIRE CRIMP Drahtcrimp	INSUL. CRIMP Iso- crimp	CRIMP HEIGHT Crimp-Hoehe								
927836-2	C	CuSn4	vorverzinkt PRE TINNED	0.5 - 1.0 FLR	E = 2.8 G = 3.0 D = 1.1	H = 7.6 K = 7.7 D = 5.6	0.5mm ² = 1.43 0.75mm ² = 1.52 1.0mm ² = 1.61	MQC - Applicator 878337-2	539635-1 WITH DIE: mit Matrize 739736-2	3	5.4	7.2	20	1.25	
927835-2	C	CuSn4	vorverzinkt PRE TINNED	>1.0 - 2.5 FLR	E = 3.8 G = 4.1 D = 1.6	H = 7.6 K = 7.7 D = 5.6	1.5mm ² = 1.76 2.0mm ² = 1.90 2.5mm ² = 2.04	MQC - Applicator 878338-2	WITH DIE: mit Matrize 539736-2	3.5	5.9	7.7	20	1.25	
927835-1	C	CuSn4	vorverzinkt PRE TINNED												
928966-1	D	CuSn4	vorverzinkt PRE TINNED	>2.5 - 4.0 FLR	E = 4.6 G = 4.8 D = 2.4	H = 7.6 K = 7.7 D = 5.6	3.0mm ² = 2.13 4.0mm ² = 2.35	MQC - Applicator 878441-2	WITH DIE: mit Matrize 539736-2	4	5.9	7.7	20	1.25	
928966-2	D	CuSn4	vorverzinkt PRE TINNED												
1241962-1	B	CuFe2	vorverzinkt PRE TINNED	>3.0 - 5.0 FLR	E = 4.8 G = 5.2 D = 2.5	H = 8.15 K = 7.8 D = 6.0	3.0mm ² = 2.25 4.0mm ² = 2.50 5.0mm ² = 2.75	MQC - Applicator -	WITH DIE: mit Matrize	4	5.9	7.7	20	1.25	

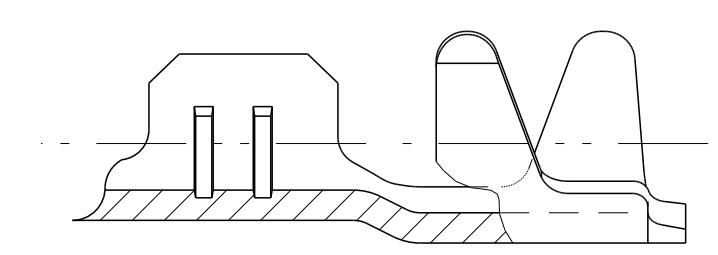
VERSION B (SINGLE WIRE SEAL / Einzel-Dichtungs-System)



- CONTACT ZONE SELECTIVE PRE SILVER PLATED MIN 3-4.5 µm Kontaktzone selektiv vorversilbert min. 3-4.5 µm
- CONTACT ZONE SELECTIVE PRE SILVER PLATED MIN 1-1.5 µm Kontaktzone selektiv vorversilbert min. 1-1.5 µm
- CONTACT BODY: ELECTRO TIN PLATED OVER NICKEL CONTACT AREA: GOLD PLATED Kontaktkoerper: gal. verzinkt ueber Nickel Kontaktzone: vergoldet
- CONTACT BODY: ELECTRO TIN PLATED OVER NICKEL CONTACT AREA: SELECTIVE NICKEL PLATED 2-4 µm Kontaktkoerper: gal. verzinkt ueber Nickel Kontaktzone: selektiv vernickelt 2-4 µm
- CONTACT BODY: ELECTRO TIN PLATED OVER NICKEL TOUCHING AREA TO CANTILEVER SPRING: SELECTIVE AU PLATED OVER NICKEL CANTILEVER SPRING: COMPLETELY AU PLATED Kontaktkoerper: gal. verzinkt ueber Nickel Anlageflaeche zur Ueberfederer selektiv Au ueber Ni beschichtet Ueberfederer: komplett Au beschichtet
- PREFORMT ISO-AREA ONLY FOR PN: 1241962-1 Isoflanken vorgeformt nur bei PN:1241962-1



- WRAP CRIMP ONLY FOR PN: 927839, 927840, 928989 AND 928990 Umfassungscrimp nur bei PN: 927839, 927840, 928989 und 928990



- TRANSITION ONLY FOR PN: 927827, 927828, 927829, 927830, 927833, 927834, 927837, AND 927838 Uebergang nur fuer PN: 927827, 927828, 927829, 927830, 927833, 927834, 927837, und 927838
- 1-3 µm Sn20M LAYER FOR HIGHER TEMPERATURE REQUIREMENTS 1-3 µm Sn20M Schicht fuer hoehere Temperaturanforderungen
- DOTTED LINE IS ALTERNATIVE SHAPE Gestrichelte Linie alternative Form
- OBSOLETE

X-ON Electronics

Largest Supplier of Electrical and Electronic Components

Click to view similar products for [Automotive Connectors](#) category:

Click to view products by [TE Connectivity](#) manufacturer:

Other Similar products are found below :

[003-018-000](#) [600858](#) [60403001](#) [60993906-B](#) [60993913-B](#) [629515004020001](#) [M902-2131](#) [M902-2161](#) [M902-2344](#) [72.330.1035.1](#)
[73.353.4028.0](#) [F118010](#) [F119300-B](#) [F132210](#) [F132210-B](#) [F166900](#) [F180100](#) [F258300](#) [F258300-B](#) [F294300-B](#) [F339100](#) [F339700](#) [F358300-](#)
[B](#) [F374110](#) [F407400](#) [F412210](#) [F427600](#) [F444110](#) [F487000](#) [F495100-B](#) [F500900-B](#) [F509500B-B](#) [770444-1](#) [776880-1](#) [827153-1](#) [881735-1](#)
[8N1515-32-24P](#) [9-1326727-8](#) [9-1326729-8](#) [925467-1](#) [925474-1](#) [928905-1](#) [936398-2](#) [964562-1](#) [964562-4](#) [964731-2](#) [965051-1](#) [968782-1](#)
[GT17SA-8DS-HU](#) [GT17VS-10DP-5.2CF](#)