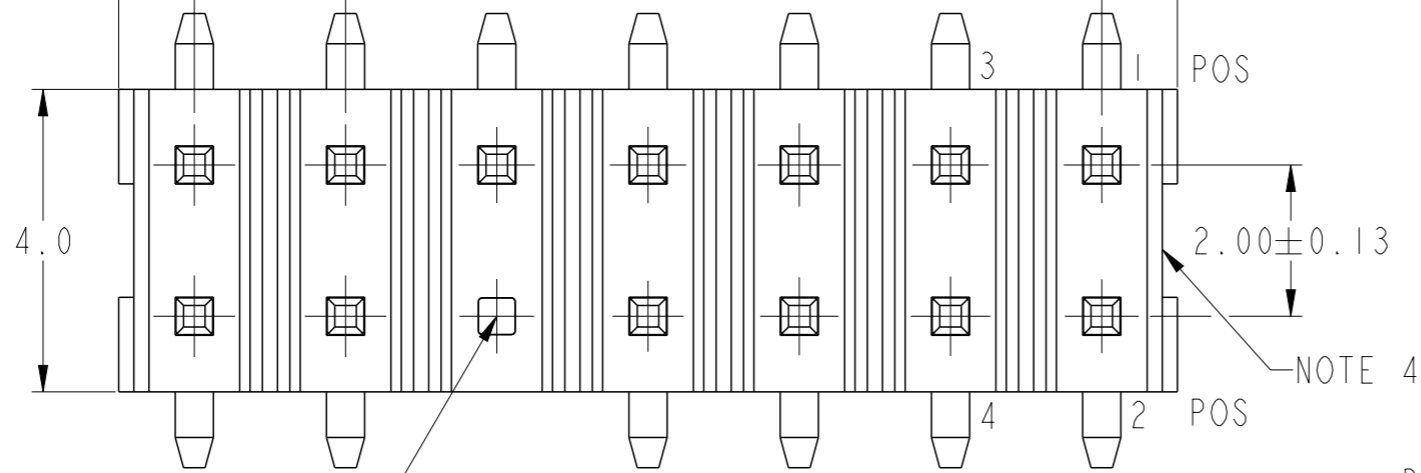


DIM X ± 0.2 ON TIP
 ± 0.13 ON BASE

DIM Y REF

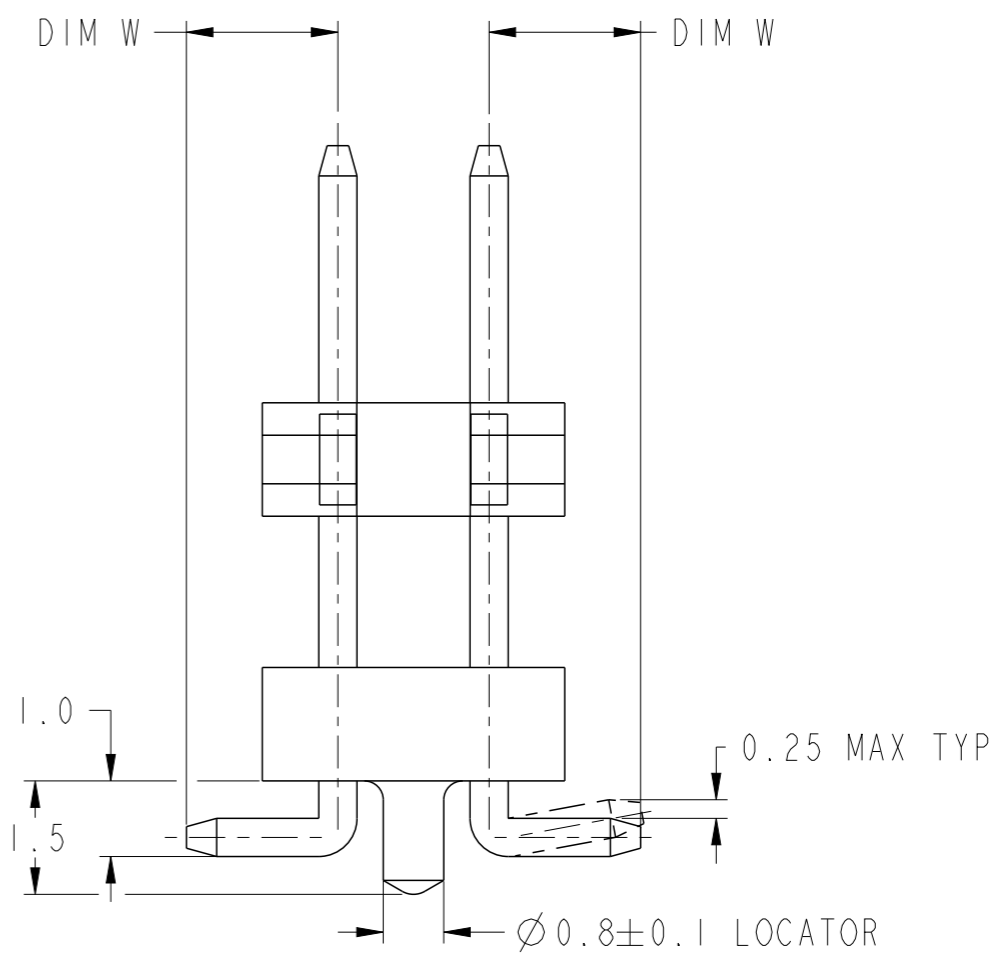
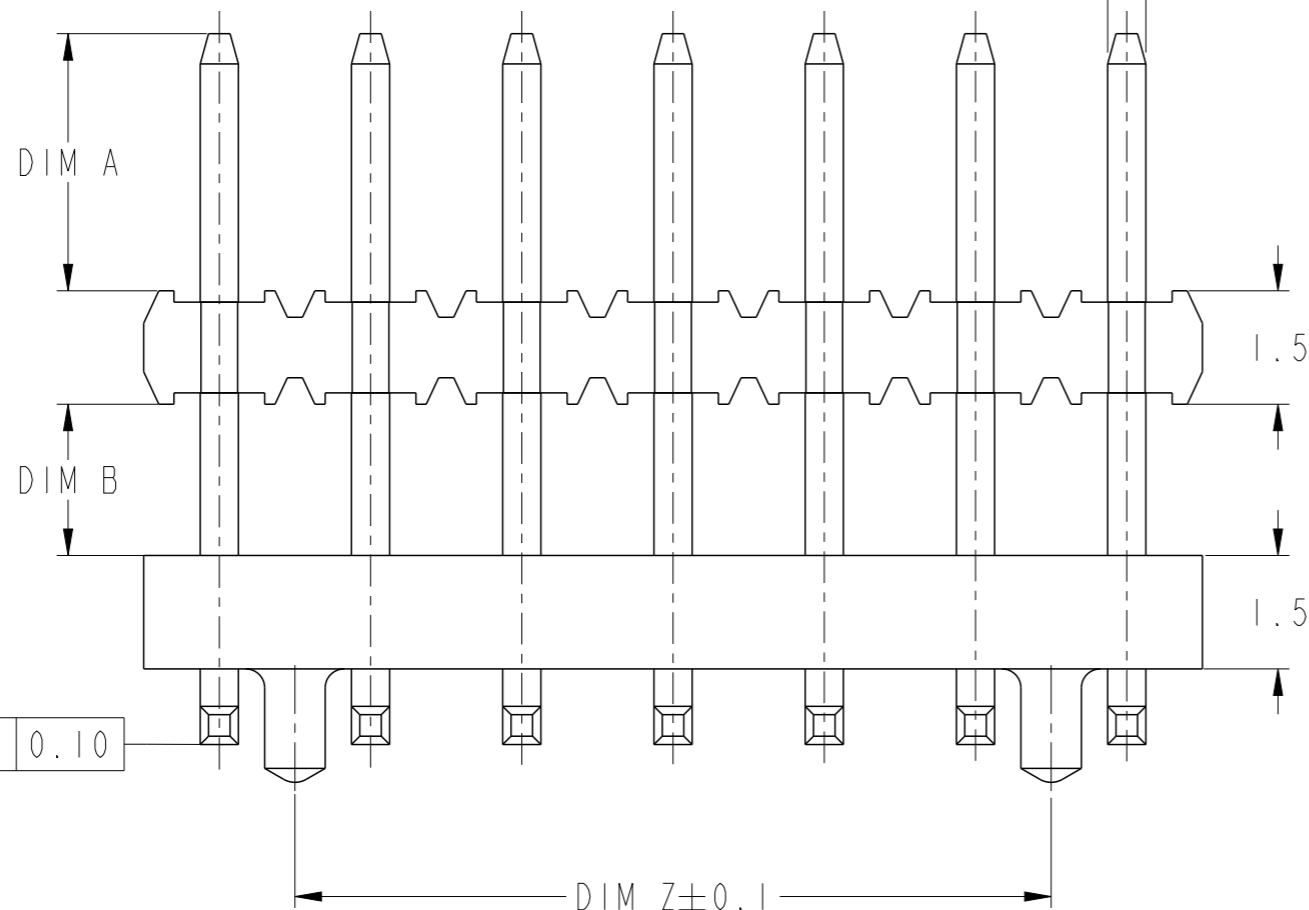
NOTE 3

2.00 ± 0.2 ON TIP
 ± 0.13 ON BASE TYP



NOTE 5

0.51 ± 0.02 SQ PIN



| | | | | | | | | | | | |
|---------------------------------------|---|------|----------|------------|--|---------|-------------|---------------|----------|------------------------|--------------|
| spec ref | - | dr | wcadmin | 2010/11/01 | projection | MM | size | A3 | scale | 10:1 | |
| tolerance std | ISO 406 ISO 1101 | eng | Tim Yang | 2015/04/30 | | | ecn no | ELX-N-20784-1 | | | |
| TOLERANCES UNLESS OTHERWISE SPECIFIED | | chr | - | - | | | rel level | Released | | | |
| surface | ISO 1302 | appr | Tim Yao | 2015/04/30 | product family | MINITEK | | rel level | Released | | |
| linear | 0.X \pm - 0.XX ± 0.25 0.XXX \pm - | | | | MINITEK II R/R SMT STR HDR WITH LOCATOR | | dwg no | 92813 | | rev | AX |
| angular | 0° \pm - | | | | | | www.fci.com | cat. no. | - | Product - Customer Drw | sheet 1 of 4 |

| | 1 | | | 2 | | | | 3 | | | 4 | |
|---|-------------|------|-------|-------|-------|-------|-------|-------|----------|-----------------|--------------------|------------|
| | PRODUCT NO. | POS | DIM X | DIM Y | DIM Z | DIM A | DIM B | DIM W | POL. POS | CONTACT PLATING | SOLDERTAIL PLATING | MATERIAL |
| A | 92813-001 | 2X19 | 36 | 38 | 34 | 3.4 | 5.4 | 2.1 | - | 0.38um MIN GXT | 0.38um MIN GXT | SEE NOTE 1 |
| | -002 | 2X8 | 14 | 16 | 12 | 3.4 | 5.4 | 2.1 | - | 0.38um MIN GXT | 0.38um MIN GXT | ↑ |
| | -003 | 2X15 | 28 | 30 | 26 | 3.5 | 6.5 | 2.4 | - | 0.38um MIN GXT | 0.38um MIN GXT | |
| | -004 | 2X7 | 12 | 14 | 10 | 3.4 | 2.0 | 2.0 | - | 0.38um MIN Au | 0.38um MIN Au | |
| | -005 | 2X8 | 14 | 16 | 12 | 3.4 | 2.0 | 2.0 | - | 0.38um MIN Au | 0.38um MIN Au | |
| | -006 | 2X12 | 22 | 24 | 20 | 3.6 | 5.5 | 2.1 | - | 0.38um MIN GXT | 0.38um MIN GXT | |
| | -007 | 2X20 | 38 | 40 | 36 | 4.0 | 9.5 | 2.1 | - | 0.38um MIN GXT | 0.38um MIN GXT | |
| | -008 | 2X4 | 6 | 8 | 4 | 5.5 | 2.0 | 2.1 | - | 0.38um MIN Au | 0.38um MIN Au | |
| | -009 | 2X8 | 14 | 16 | 12 | 4.7 | 2.0 | 2.0 | - | 0.38um MIN GXT | 0.38um MIN GXT | |
| | -010 | 2X12 | 22 | 24 | 20 | 4.0 | 5.5 | 2.0 | - | 0.38um MIN GXT | 0.38um MIN GXT | |
| B | -011 | 2X10 | 18 | 20 | 16 | 4.0 | 5.5 | 2.0 | - | 0.38um MIN GXT | 0.38um MIN GXT | |
| | -012 | 2X16 | 30 | 32 | 28 | 4.0 | 2.0 | 2.0 | - | 0.38um MIN GXT | 0.38um MIN GXT | |
| | -013 | 2X5 | 8 | 10 | 6 | 3.5 | 0 | 2.0 | - | 0.76um MIN GXT | 0.76um MIN GXT | |
| | -014 | 2X4 | 6 | 8 | 4 | 4.0 | 5.5 | 2.0 | - | 0.38um MIN GXT | 0.38um MIN GXT | |
| | -015 | 2X15 | 28 | 30 | 26 | 4.0 | 5.5 | 2.0 | - | 0.38um MIN GXT | 0.38um MIN GXT | |
| | -016 | 2X13 | 24 | 26 | 22 | 4.0 | 4.0 | 2.0 | - | 0.38um MIN GXT | 0.38um MIN GXT | |
| | -017 | 2X18 | 34 | 36 | 32 | 4.0 | 4.0 | 2.0 | - | 0.38um MIN GXT | 0.38um MIN GXT | |
| C | -018 | 2X6 | 10 | 12 | 8 | 2.8 | 1.0 | 2.0 | - | 0.38um MIN GXT | 0.38um MIN GXT | |
| | -019 | 2X15 | 28 | 30 | 26 | 6.0 | 4.0 | 2.0 | - | 0.38um MIN GXT | 0.38um MIN GXT | |
| | -020 | 2X15 | 28 | 30 | 26 | 4.0 | 6.0 | 1.8 | - | 0.38um MIN GXT | 0.38um MIN GXT | |
| | -021 | 2X13 | 24 | 26 | 22 | 4.0 | 2.0 | 1.8 | - | 0.38um MIN GXT | 0.38um MIN GXT | |
| | -022 | 2X14 | 26 | 28 | 24 | 2.0 | 6.5 | 2.4 | - | 0.38um MIN GXT | 0.38um MIN GXT | |
| | -023 | 2X25 | 48 | 50 | 46 | 4.0 | 5.4 | 2.1 | - | 0.38um MIN GXT | 0.38um MIN GXT | |
| | -024 | 2X15 | 28 | 30 | 26 | 3.4 | 2.0 | 2.0 | - | 0.38um MIN Au | 0.38um MIN Au | |
| | -025 | 2X3 | 4 | 6 | 2 | 4.0 | 2.0 | 2.0 | - | 0.76um MIN Au | 0.76um MIN Au | |
| | -026 | 2X13 | 24 | 26 | 22 | 4.0 | 4.0 | 2.1 | - | 0.76um MIN GXT | 0.76um MIN GXT | ↓ |
| | -027 | 2X4 | 6 | 8 | 4 | 4.65 | 8.7 | 2.0 | - | 0.38um MIN Au | 0.38um MIN Au | SEE NOTE 1 |



Copyright FCI.

| | | | | | | | | |
|-------------|----------|------------|--|----|------------------------|--------------|-------|--------------|
| dr | wcadmin | 2010/11/01 | projection | MM | size | A3 | scale | 10:1 |
| eng | Tim Yang | 2015/04/30 | | | ecn no ELX-N-20784-1 | | | |
| chr | - | - | | | rel level Released | | | |
| appr | Tim Yao | 2015/04/30 | product family | | MINITEK | | | |
| | | | title MINITEK II R/R SMT STR HDR WITH LOCATOR | | | dwg no 92813 | | rev AX |
| www.fci.com | | | cat. no. | | Product - Customer Drw | | | sheet 2 of 4 |

| 1 | | | | 2 | | | | 3 | | | 4 | |
|-------------|------|-------|-------|-------|-------|-------|-------|----------|-----------------|--------------------|------------|--|
| PRODUCT NO. | POS | DIM X | DIM Y | DIM Z | DIM A | DIM B | DIM W | POL. POS | CONTACT PLATING | SOLDERTAIL PLATING | MATERIAL | |
| 92813-028 | 2X5 | 8 | 10 | 6 | 4.0 | 2.0 | 2.0 | - | 0.76um MIN GXT | 0.76um MIN GXT | SEE NOTE 1 | |
| -029 | 2X22 | 42 | 44 | 40 | 4.0 | 6.0 | 2.0 | - | 0.38um MIN GXT | 0.38um MIN GXT | SEE NOTE 1 | |
| -030 | 2X7 | 12 | 14 | 10 | 3.4 | 2.0 | 2.0 | - | 0.38um MIN GXT | 0.38um MIN GXT | SEE NOTE 1 | |
| -031 | 2X15 | 28 | 30 | 26 | 3.4 | 2.0 | 2.0 | - | 0.38um MIN GXT | 0.38um MIN GXT | SEE NOTE 1 | |
| -032 | 2X4 | 6 | 8 | 4 | 4.5 | 3.0 | 2.25 | - | 0.76um MIN Au | 2.54um MIN 100% Sn | SEE NOTE 1 | |
| -033 | 2X16 | 30 | 32 | 28 | 4.1 | 3.7 | 2.25 | - | 0.76um MIN Au | 2.54um MIN 100% Sn | SEE NOTE 1 | |
| -034 | 2X16 | 30 | 32 | 28 | 3.7 | 0.5 | 2.25 | - | 0.76um MIN Au | 2.54um MIN 100% Sn | SEE NOTE 1 | |
| -035 | 2X4 | 6 | 8 | 4 | 4.0 | 4.4 | 2.00 | - | 0.38um MIN Au | 0.38um MIN Au | SEE NOTE 1 | |
| -036 | 2X20 | 38 | 32 | 28 | 4.0 | 6.5 | 2.00 | - | 0.38um MIN GXT | 0.38um MIN GXT | SEE NOTE 1 | |
| -037 | 2X14 | 26 | 28 | 24 | 4.0 | 9.5 | 2.1 | - | 0.76um MIN Au | 2.54um MIN 100% Sn | SEE NOTE 1 | |
| -038 | 2X14 | 26 | 28 | 24 | 4.0 | 9.5 | 2.1 | - | 0.76um MIN GXT | 2.54um MIN 100% Sn | SEE NOTE 1 | |
| -039 | 2X10 | 18 | 20 | 16 | 4.1 | 3.75 | 2.1 | - | 0.76um MIN GXT | 2.54um MIN 100% Sn | SEE NOTE 1 | |
| -040 | 2X5 | 8 | 10 | 6 | 4.0 | 5.0 | 2.1 | - | 0.76um MIN GXT | 2.54um MIN 100% Sn | SEE NOTE 1 | |
| -041 | 2X15 | 28 | 30 | 26 | 4.0 | 5.5 | 2.0 | - | 0.76um MIN GXT | 0.76um MIN GXT | SEE NOTE 1 | |
| -042 | 2X8 | 14 | 16 | 12 | 4.0 | 11.5 | 2.1 | - | 0.38um MIN GXT | 0.38um MIN GXT | SEE NOTE 1 | |
| -043 | 2X22 | 42 | 44 | 40 | 4.0 | 11.5 | 2.1 | - | 0.38um MIN GXT | 0.38um MIN GXT | SEE NOTE 1 | |



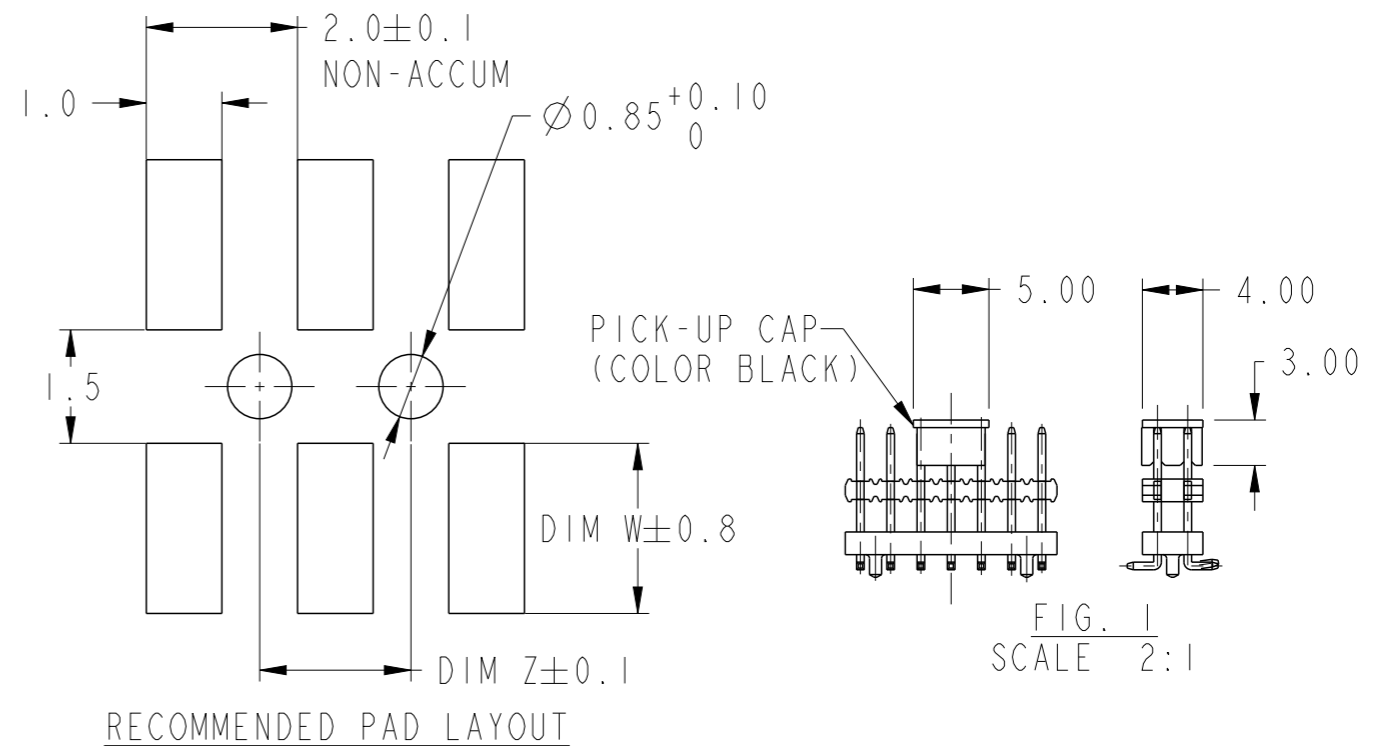
Copyright FCI.

| | | | | | | | | |
|-------------|----------|---|----------------|--------|------------------------|---------------|--------------|------|
| dr | wcadmin | 2010/11/01 | projection | MM | size | A3 | scale | 10:1 |
| eng | Tim Yang | 2015/04/30 | | | ecn no | ELX-N-20784-1 | | |
| chr | - | - | | | rel level | Released | | |
| appr | Tim Yao | 2015/04/30 | | | product family | MINITEK | | |
| | | title MINITEK II R/R SMT STR HDR WITH LOCATOR | | | dwg no 92813 | rev AX | | |
| www.fci.com | | cat. no. | - | | Product - Customer Drw | | sheet 3 of 4 | |

NOTES:

1. MATERIAL:
 BODY : GLASS FILLED PCT UL 94V-0 NATURAL (BEIGE)
 PIN : PHOSPHOR BRONZE
2. TOLERANCE UNLESS OTHERWISE NOTED ± 0.25
3. DIM 1.0 ± 0.15 APPLIES TO MOLDED SIDE(S) ONLY. IF SIDE(S) ARE BROKEN, DIM 1.5 MAX APPLIES.
4. RECESS APPLIES TO MOLDED SIDE(S) ONLY.
5. POLARISATION BY OMISSION OF PIN. POSITION REFER TO TABLE.
6. P/N 92813-XXXT TO BE PACKED IN TUBE.
7. P/N 92813-011TC, 014TC, 023TC & 024TC TO BE PACKED IN TUBE WITH PICK-UP CAP INSTALLED IN THE CENTRE OF THE PRODUCT. SEE FIG. 1.
8. P/N 92813-XXXTR TO BE PACKED IN TAPE & REEL WITH PICK-UP CAP INSTALLED IN THE CENTRE OF THE PRODUCT. SEE FIG. 1.
9. PRODUCT PART NUMBER DESCRIPTIONS:
 92813 - XXX LF
 LEAD FREE. SEE NOTE 10
 NO. OF POSITIONS (RANDOM)
10. P/N:92813-XXXLF IS SAME TO 92813-XXX. THE SUFFIX 'LF' IS ADDED JUST FOR EASY LEAD FREE IDENTIFICATION.
11. THE HOUSING WILL WITHSTAND EXPOSURE TO 255°C PEAK TEMPERATURE FOR 10 SECONDS IN A CONVECTION, INFRA-RED OR VAPOR PHASE REFLOW OVEN

12. THE HOUSING WILL WITHSTAND EXPOSURE TO 260°C PEAK TEMPERATURE FOR 10 SECONDS IN A WAVE SOLDER APPLICATION WITH A MINIMUM 1.57mm THICK CIRCUIT BOARD.
13. THIS PRODUCT MEETS EUROPEAN UNION DIRECTIVES AND OTHER COUNTRY REGULATIONS AS DESCRIBED IN GS-22-008.
14. PN 92813-04ITRS TO BE PACKED IN TAPE&REEL WITH PICK-UP(L*W=8MM*7MM)



| | | | | | | | | |
|-------------|----------|------------|---|----|----------------|---------------|--|----------|
| dr | wcadmin | 2010/11/01 | projection | MM | size | A3 | scale | 5:2 |
| eng | Tim Yang | 2015/04/30 | | | ecn no | ELX-N-20784-1 | | |
| chr | - | - | | | product family | MINITEK | rel level | Released |
| appr | Tim Yao | 2015/04/30 | | | dwg no | 92813 | | rev |
| www.fci.com | | | title MINITEK II R/R SMT STR HDR WITH LOCATOR | | cat. no. - | | Product - Customer Drw sheet 4 of 4 | |



X-ON Electronics

Largest Supplier of Electrical and Electronic Components

Click to view similar products for [Headers & Wire Housings](#) category:

Click to view products by [FCT Electronics](#) manufacturer:

Other Similar products are found below :

[95000-104TRLF](#) [10135584-644402LF](#) [DF62W-EP2022PCA](#) [95000-106TRLF](#) [DF62W-2022SCA](#) [DF62W-EP2022PC](#) [2203348](#) [DF62W-2022SC](#) [1084018](#) [1029039](#) [1084017](#) [802-10-012-10-002000](#) [1112640](#) [1112639](#) [891-007-9SS-BST1T](#) [000-34000](#) [0008550134](#) [0009482033](#) [0009507031](#) [57102-F02-18ULF](#) [57102-S06-03LF](#) [57202-S52-04LF](#) [PCN6-15S-2.5E](#) [0039019024](#) [58102-G61-06LF](#) [582553-1](#) [0009485154](#) [0009508121](#) [009176003701906](#) [0022285053](#) [0050291907](#) [018731A](#) [LY20-4P-DT1-P1E-BR](#) [02.125.8002.8](#) [60101931](#) [60598-1 \(Cut Strip\)](#) [M1625-3R/100](#) [61062-3](#) [61082-181009](#) [CSU011177004](#) [636-1427](#) [638009-1](#) [641938-9](#) [641991-4](#) [644168-1](#) [644827-2](#) [647662-1](#) [65039-019ELF](#) [65692-001LF](#) [65781-018](#)