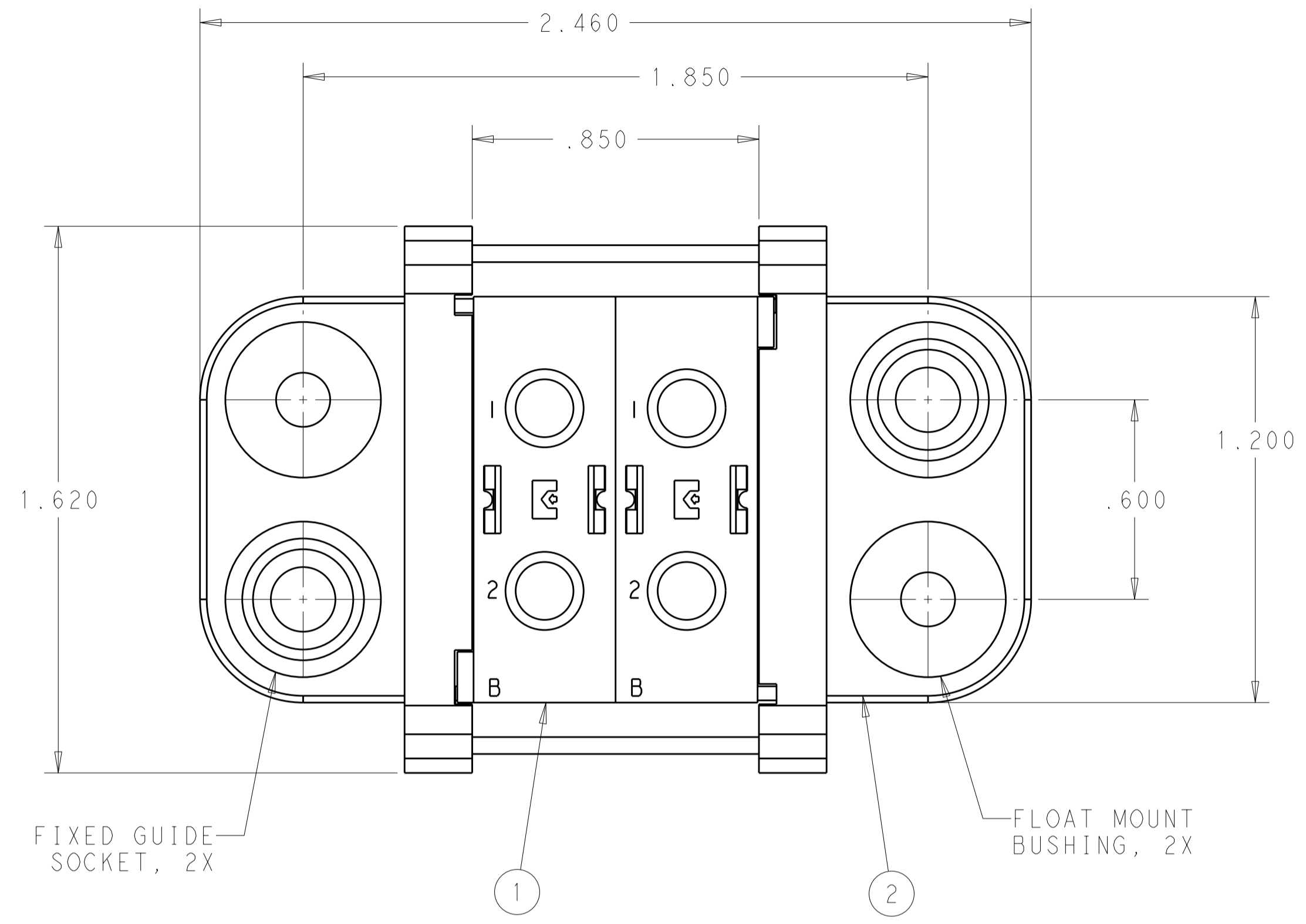


THIS DRAWING IS UNPUBLISHED. RELEASED FOR PUBLICATION 20  
 © COPYRIGHT 20 TE ALL RIGHTS RESERVED.

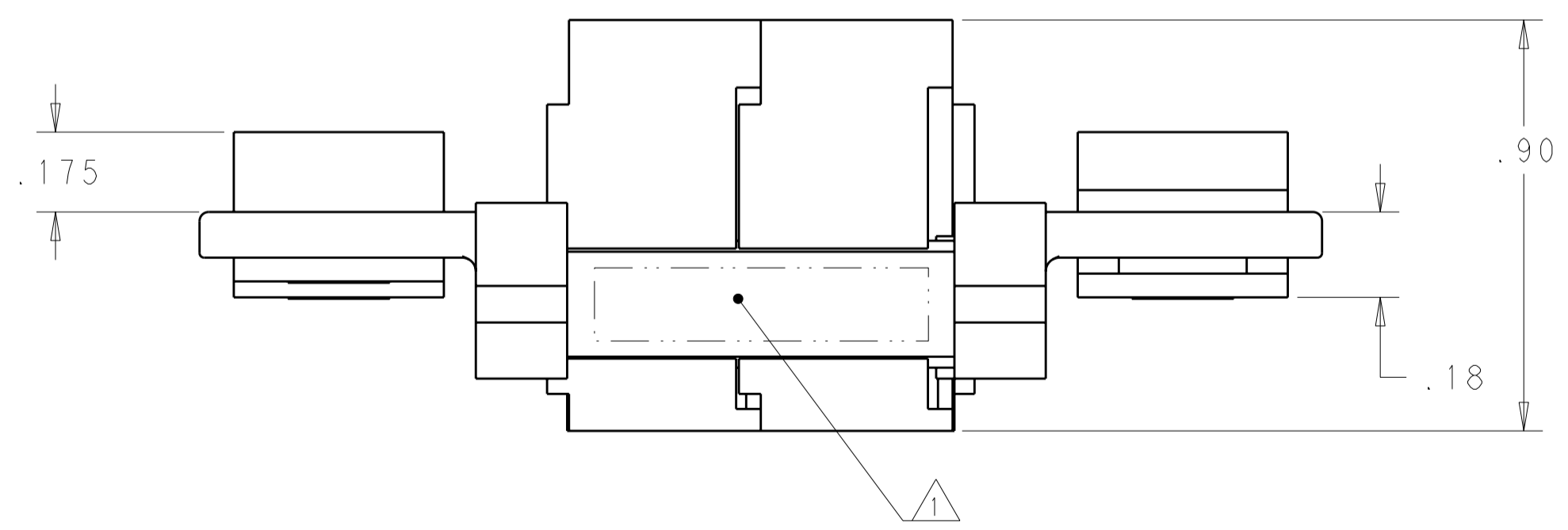
LOC	DIST	REVISIONS					
GP	00	P	LTR	DESCRIPTION	DATE	DWN	APVD
		B		REV PER ECO-11-020009	04OCT2011	RG	DO



△ ITEMS PROVIDED TO THIS SPECIFICATION TO BE PERMANENTLY IDENTIFIED PER THE FOLLOWING IDENTIFIER:

YEAR 1 WEEK 1  
 TE PART NUMBER XXXXXXXX-X DATE CODE (e.g. 0212) XXXX

- △ MODULES NOTED ARE CRIMP REMOVABLE STYLE CONTACT. CONTACTS ARE PACKAGED AND SHIPPED LOOSE PIECE.
- △ MOUNTING FLANGE BUSHING ACCEPTS 6/32 SCREW (Ø.156 CLEARANCE HOLE, FLOAT MOUNT) OR 8/32 SCREW (Ø.173 CLEARANCE HOLE, FIXED MOUNT) USER SUPPLIED



QTY	PART NUMBER	DESCRIPTION	ITEM
4	6648317-1	SOCKET CONTACT, SIZE No.8	3
2	6648252-1	GUIDE SOCKET, FLOAT MOUNT	2
2	1648467-1	B MODULE, No.8	1

THIS DRAWING IS A CONTROLLED DOCUMENT.

DWN R.GRZYBOWSKI 04OCT2011	TE Connectivity	
CHK S.FLICKINGER 04OCT2011		
APVD S.FLICKINGER/04OCT2011		
FLICKINGER/ORRIS		
DIMENSIONS: INCHES	TOLERANCES UNLESS OTHERWISE SPECIFIED:	NAME: SOCKET CONNECTOR DOMINO W/ PANEL CUT-OUT
0 PLC ±-	1 PLC ±.032	SIZE: A2
2 PLC ±.016	3 PLC ±.016	CAGE CODE: 00779
4 PLC ±-	ANGLES ±-	DRAWING NO: 6646040
MATERIAL: -	FINISH: -	RESTRICTED TO: -
CUSTOMER DRAWING		SCALE: 3:1
		SHEET 1 OF 2
		REV B

4

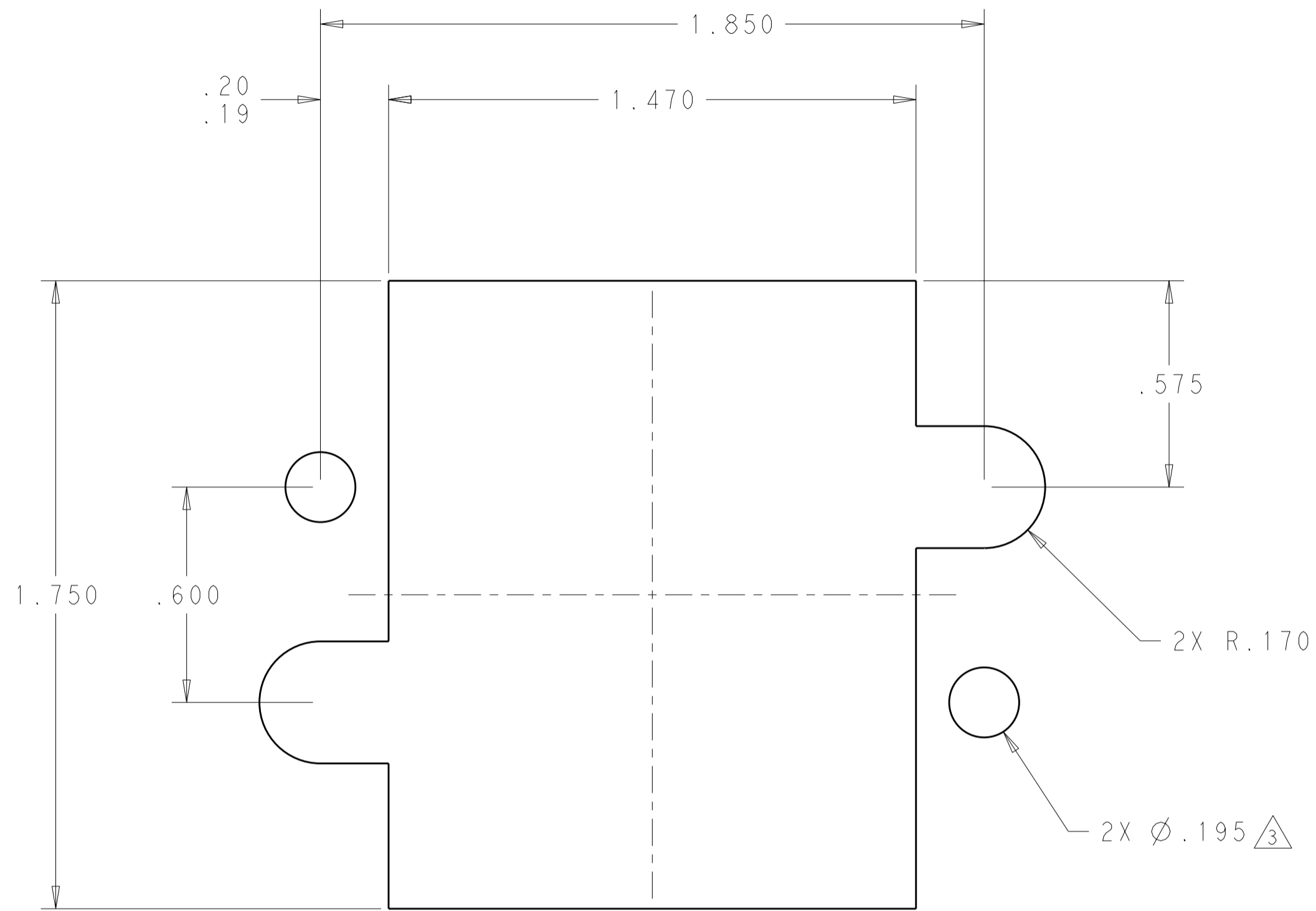
3

2

1

THIS DRAWING IS UNPUBLISHED.      RELEASED FOR PUBLICATION      20  
 © COPYRIGHT 20      TE      ALL RIGHTS RESERVED.

LOC	DIST	REVISIONS			
P	LTR	DESCRIPTION	DATE	DWN	APVD
GP	00	-	SEE SHEET 1	-	-



SOCKET PANEL MOUNT CUT-OUT

THIS DRAWING IS A CONTROLLED DOCUMENT.		DWN R. GRZYBOWSKI 04OCT2011	<b>STE</b> TE Connectivity	
DIMENSIONS: INCHES		CHK S. FLICKINGER 04OCT2011		
TOLERANCES UNLESS OTHERWISE SPECIFIED:		APVD FLICKINGER/ORRIS 04OCT2011	NAME SOCKET CONNECTOR DOMINO W/ PANEL CUT-OUT	
0 PLC ± 1 PLC ± 2 PLC ±.032 3 PLC ±.016 4 PLC ±		PRODUCT SPEC -	SIZE A200779	
ANGLES ± FINISH		APPLICATION SPEC -	DRAWING NO 6646040	
MATERIAL -		WEIGHT -	RESTRICTED TO -	
CUSTOMER DRAWING		SCALE 3:1		SHEET 2 OF 2 REV B

## X-ON Electronics

Largest Supplier of Electrical and Electronic Components

*Click to view similar products for [Power to the Board](#) category:*

*Click to view products by [TE Connectivity](#) manufacturer:*

Other Similar products are found below :

[10131318-08512GRLF](#) [6450171-4](#) [6450552-7](#) [6600323-8](#) [6643429-1](#) [6646040-2](#) [6651939-1](#) [6766604-1](#) [120959-1](#) [1393557-2](#) [1393532-2](#)  
[1393532-3](#) [1393532-4](#) [1393557-1](#) [1600812-5](#) [1-6450861-2](#) [1645595-1](#) [1743490-1](#) [1744132-7](#) [1761122-1](#) [1766169-1](#) [1766250-1](#) [18362](#)  
[1892109-1](#) [1-967627-6](#) [2226808-1](#) [2-6450860-5](#) [2-6450860-6](#) [2-6450870-0](#) [93003-0502](#) [953552-1](#) [1-6450161-4](#) [1-6450850-6](#) [1645526-2](#) [1-](#)  
[6600130-0](#) [1743419-1](#) [1766150-1](#) [2005243-2](#) [211110-1](#) [2-6600130-2](#) [TE34-12-16P-F0](#) [51700-10201602AALF](#) [5-6450830-6](#) [5646956-4](#)  
[36662-0005](#) [40585-3000](#) [4-6450830-9](#) [4-6600333-3](#) [51142-0214](#) [10125416-4050LF](#)