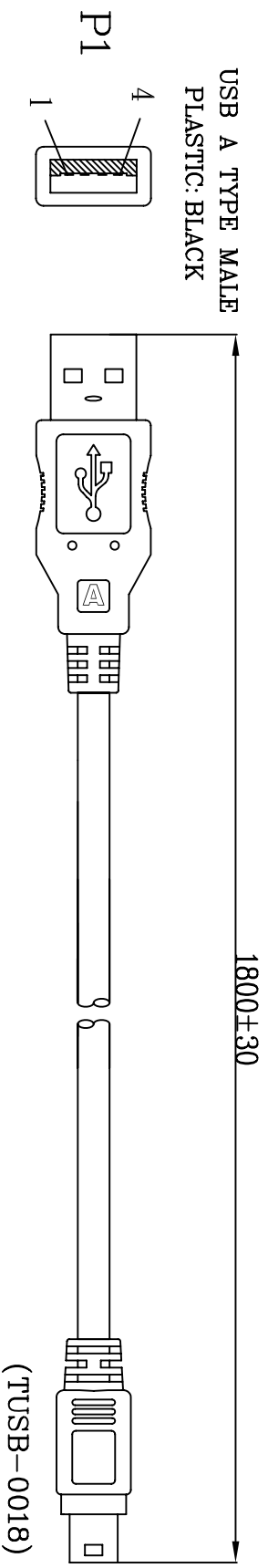


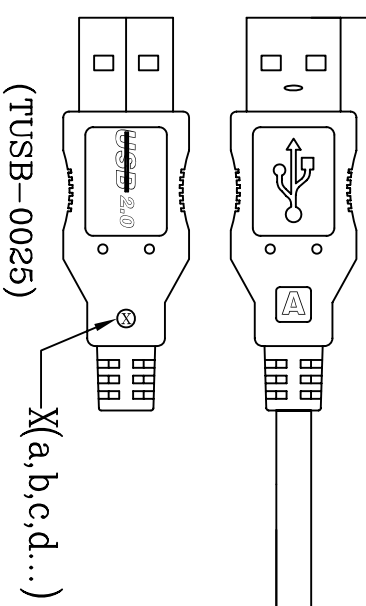
ROHS-COMPLIANT

LTR	REV.	DESCRIPTION	DATE

USB A TYPE MALE
PLASTIC: BLACK



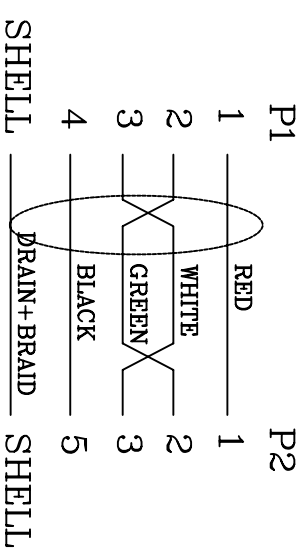
MINI USB 5P/M
PLASTIC: BLACK



NOTE:

1. CABLE: UL-2725 [28AWG(7/0.127)T.C*1P+28AWG(7/0.127)T.C*2C + AL-FOIL/MYLAR+DRAIN WIRE+BRAID(65% ALUMINUM)]PVC JACKET;
OD: $\phi 3.8 \pm 0.15$ mm COLOR: MATT BLACK (NK-K01), REV 2.0.(C2725525BA)
2. CONNECTOR:
 - P1: USB A TYPE MALE GOLD FLASH CONTACT, NICKEL PLATED SHELL.
 - P2: MINI USB B TYPE 5P MALE GOLD FLASH CONTACT, NICKEL PLATED SHELL.
3. HOOD: MOULDED TYPE, PVC 45P, COLOR: BLACK(NK-K01)
4. ELECTRICAL TEST:

- <1>.100% OPEN SHORT & MIS WIRE TEST .
- <2>.CONTACT RESISTANCE 3 Ohms MAX
- <3>.INSULATION RESISTANCE 10M Ohms MIN.
- 5. PACKING: <1>EACH PC / POLYBAG + EAN CODE LABEL & ROHS LABEL
- <2>EACH CARTON / ROHS LABEL(L*W=35*22mm) + EAN CODE LABEL
- <3>EAN CODE: 4260113564158.



Tolerance	Inch	M/M
X	.015	.30
XX	.010	.10
XXX	.005	.05

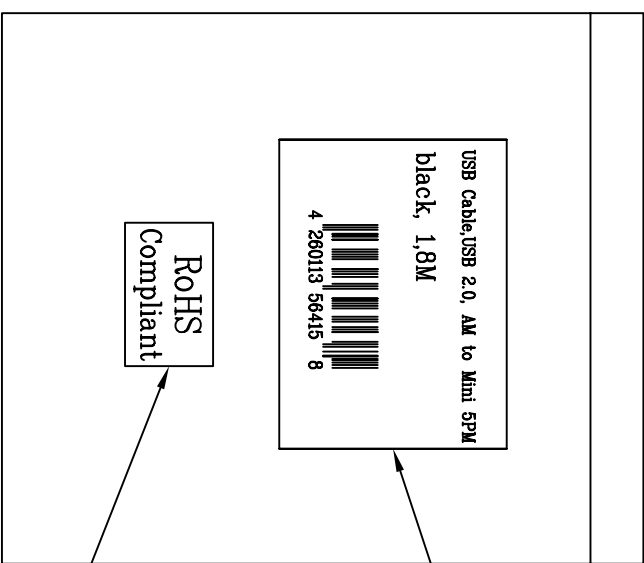
Draw	PANNIE 02/26/07
Check	Customer P/N: CU0014
Engr	App'd
	Scale NONE Units m/m Third Angle Projection
	Dwg No. 170-3045 REV: A Sheet 1/2

2DIRECT GMBH

Title
USB A(M)-MINI USB 5P(M) REV2. 0 CABLE

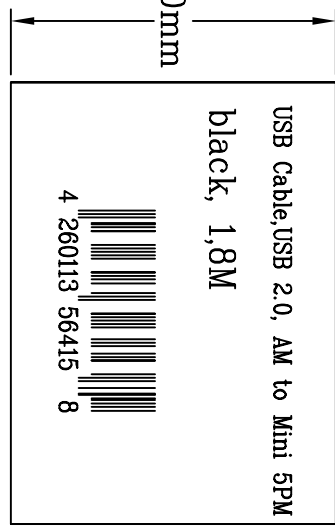
LTR	REV.	DESCRIPTION	DATE

POLYBAG



50mm

40mm



(#=CABLE LENGHTH)

LABEL POSITION

WHITE BASE BLACK WORDS
(L*W= 35*22mm)

Tolerance	Inch	M/M
X	.015	.30
XX	.010	.10
XXX	.005	.05

2DIRECT GMBH	
Title USB A(M)-MINI USB 5P(M) REV2. 0 CABLE	
Customer P/N: CU0014	
App'd	Customer: E-DIR
Scale	NONE Units m/m Third Angle Projection
Dwg No.	170-3045 REV:A Sheet 2/2

X-ON Electronics

Largest Supplier of Electrical and Electronic Components

Click to view similar products for [USB Cables / IEEE 1394 Cables](#) category:

Click to view products by [Logilink](#) manufacturer:

Other Similar products are found below :

[68768-0173](#) [FNY-W6003-01](#) [88764-0800](#) [13805532](#) [148700-1](#) [17-200621](#) [17-250051P](#) [954](#) [AC102012-2](#) [IP-USB1\(C10\)S-RW](#)
[CABLE/RTP/USB/DT](#) [0847290003](#) [10115240-12200LF](#) [RS232-GTD](#) [USBFTVX2SA2N03A](#) [USBFTV2SA2N03A](#) [1689404-1](#) [FTP-](#)
[629Y401](#) [FTP-628Y402](#) [943301-001](#) [FNY-W6022](#) [FNY-W6003-03](#) [1310-1015-05](#) [1310-1019-04](#) [0887283402](#) [UA-30AMFM-SL7B02](#) [UA-](#)
[30AMFM-SL7B01](#) [UA-30AFM-LD7B03](#) [UA-30AMFM-SL7B03](#) [USBAPSCC7202A](#) [UES-1001A160](#) [UES-1003A160](#)
[USBFTVX7SA2N20A](#) [USBFTVX2SA2N20A](#) [USBFTV2PEMSA2N10A](#) [FTP-629Y602](#) [USBCAMCM100](#) [USB A/F*2 to 2.54 2*5P-SH](#)
[L=400mm](#) [EP-CBUSB10P2FLT](#) [1310-1033-01](#) [1310-1037-04](#) [ASR-USB](#) [68784-0075](#) [17-241361](#) [17-230471](#) [217B-BC02](#) [USB-29](#) [19800-](#)
[010500-200-RS](#) [USB+MINI DIN 6P WITH BKT](#) [84729-0025](#)