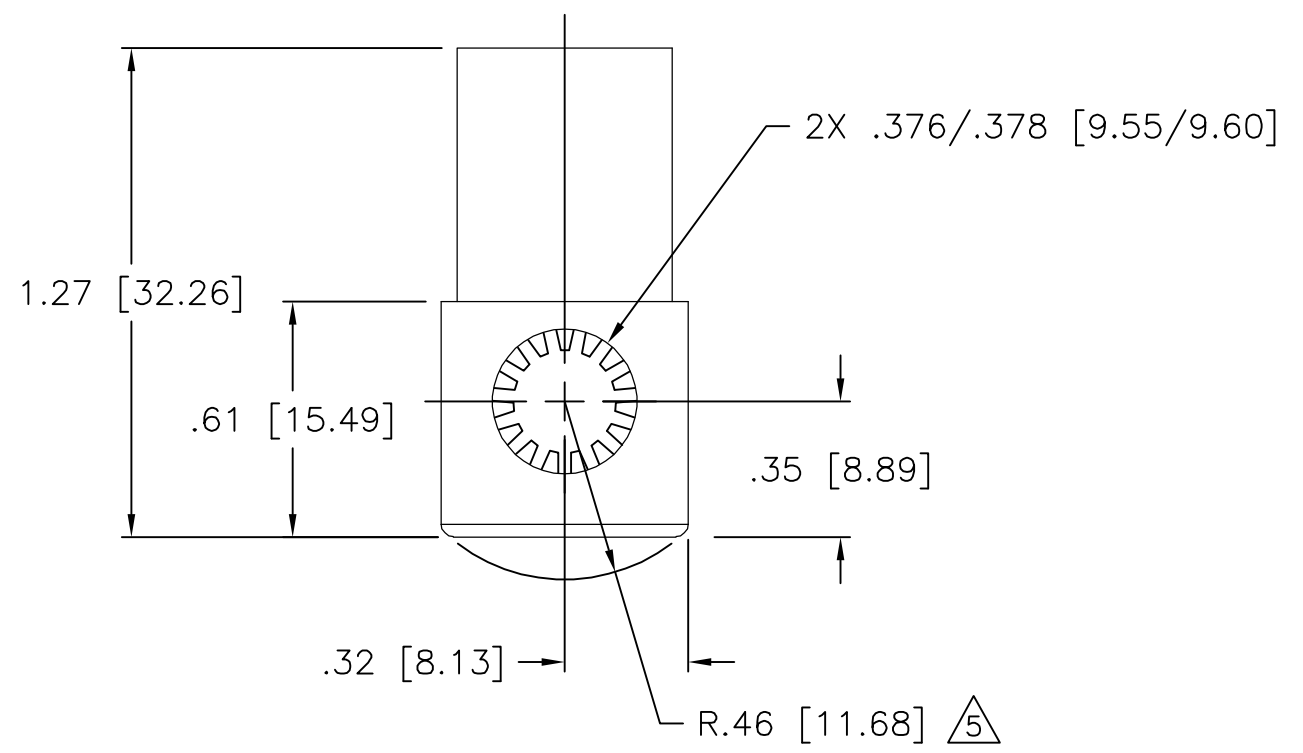
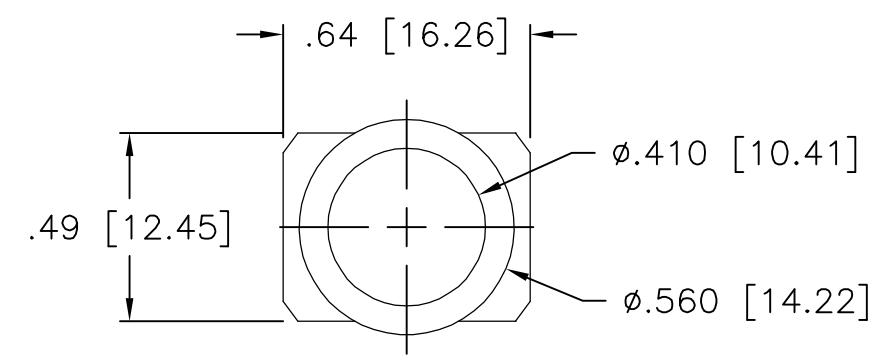


THIS DRAWING IS UNPUBLISHED. RELEASED FOR PUBLICATION  
 © COPYRIGHT - BY TYCO ELECTRONICS CORPORATION. ALL RIGHTS RESERVED.

| LOC | DIST | REVISIONS |     |             |         |     |      |
|-----|------|-----------|-----|-------------|---------|-----|------|
| GP  | 00   | P         | LTR | DESCRIPTION | DATE    | DWN | APVD |
|     |      |           | A   | RELEASED    | 02MAR06 | RG  | MP   |



- 6. FOR TERMINATION REFER TO 1926079-1
- △ 5 ROTATION ARC.
- 4. FINISH:  
 SOCKET HOUSING - SILVER PLATED .000200 MIN THK.  
 OVER ELECTROLESS NICKEL PLATE .000040 MIN THK.  
 CROWN - GOLD PLATED .000030 MIN THK OVER  
 ELECTROLESS NICKEL PLATE .000040 MIN. THK
- 3. MATERIAL:  
 CROWN CONTACT - BERYLLIUM COPPER  
 SOCKET HOUSING - TELLURIUM COPPER ALLOY  
 INSULATOR - THERMOPLASTIC, 94V-0, COLOR PER TABLE
- 2. ITEMS PROVIDED TO THIS SPECIFICATION SHALL BE IDENTIFIED ON THE CONTAINER WITH THE FOLLOWING INFORMATION:  
 PART NUMBER AND DATE CODE OF MANUFACTURE.
- 1. PART NUMBER CHANGES AND/OR DESIGN CHANGES AFFECTING ITEM INTERCHANGEABILITY REQUIRE PRIOR TYCO APPROVAL AND AUTHORIZATION BY REVISION TO THIS DRAWING.

|       |             |
|-------|-------------|
| BLUE  | 6648238-3   |
| RED   | 6648238-2   |
| BLACK | 6648238-1   |
| COLOR | PART NUMBER |

|  |   |                                  |  |                              |
|--|---|----------------------------------|--|------------------------------|
| THIS DRAWING IS A CONTROLLED DOCUMENT. |   | DWN<br>R.GRZYBOWSKI<br>03MAR2006 | Tyco Electronics Corporation<br>Harrisburg, PA 17105-3608    |                              |
| DIMENSIONS:<br>INCHES                  | TOLERANCES UNLESS OTHERWISE SPECIFIED:  | CHK<br>M.PERCHERKE<br>02MAR06    | NAME<br>JUMPER, CROWN SOCKET<br>SIZE #2 WITH #2 CRIMP BARREL |                              |
|  | 0 PLC ± -<br>1 PLC ± -<br>2 PLC ± .02<br>3 PLC ± .006<br>4 PLC ± -<br>ANGLES ± .5 | APVD<br>M.PERCHERKE<br>02MAR06   | PRODUCT SPEC<br>-  |                              |
| MATERIAL<br>-                          | FINISH<br>-   | APPLICATION SPEC<br>-            | SIZE<br>A3   | RESTRICTED TO<br>-           |
| RAPID LOCK ELCON                       |   | WEIGHT<br>-                      | CAGE CODE<br>00779   | DRAWING NO<br>6648238        |
| AMP 1470-19 REV 31MAR2000              |   | CUSTOMER DRAWING                 |  | SCALE 1:1 SHEET 1 OF 1 REV A |

## X-ON Electronics

Largest Supplier of Electrical and Electronic Components

*Click to view similar products for [Heavy Duty Power Connectors](#) category:*

*Click to view products by [TE Connectivity](#) manufacturer:*

Other Similar products are found below :

[1424439](#) [1424438](#) [09330062652](#) [2-8675P1](#) [580129-2](#) [605601-1](#) [6340G1](#) [6341G1](#) [6360G1](#) [6373G1](#) [6374g2](#) [6396G1](#) [647757-1](#) [66394-4](#)  
[6643411-1](#) [6646058-2](#) [6646137-1](#) [6646138-1](#) [6646348-1](#) [6646479-1](#) [6646608-1](#) [6646786-1](#) [6646940-1](#) [6651091-1](#) [6651525-1](#) [6651529-1](#)  
[6651778-1](#) [6651788-1](#) [696465-1](#) [696475-1](#) [73000005059](#) [73000005349](#) [73000005642](#) [73080255059](#) [73080965046](#) [765-15-0080A](#)  
[765-16-0080B](#) [789.700-44](#) [789.700-54](#) [80-1010](#) [80-9](#) [827381-1](#) [829992-1](#) [902-77-02113](#) [PL00U-301-10D10](#) [PM103MOOLOO](#)  
[PM16S1620S32-50](#) [PM212MOOLOO](#) [PM309FOOLOO](#) [PM324FOOLCH](#)