

### ◆ Features

- Small footprint.
- Miniature PCB surge cube relay.
- Reverse contact terminal position version is available.
- SPNO, SPNC, SPDT and Sealed flux free & sealed Washable type are available.

### ◆ Coil Data [at 20°C]

Rated voltage ( V )	Coil Resistance $\pm 10\%$ ( $\Omega$ )	Rated Current $\pm 10\%$ (mA)	Pick up Voltage (Max)	Drop out Voltage (Min)	Max continuous Voltage	Power consumption At rated Voltage
3	23	130	75% of rated voltage	5% of rated voltage	150% Max of Rated voltage	Approx.0.4W
5	63	79				
6	90	67				
9	203	44				
12	360	33				
18	810	22				
24	1440	17				
36	3240	11				
48	5760	8				

### ◆ High sensitivity Type

Rated voltage ( V )	Coil Resistance $\pm 10\%$ ( $\Omega$ )	Rated Current $\pm 10\%$ (mA)	Pick up Voltage (Max)	Drop out Voltage (Min)	Max continuous Voltage	Power consumption At rated Voltage
3	25	120	75% of rated voltage	5% of rated voltage	110% Max of Rated voltage	Approx.0.36W
5	70	72				
6	100	60				
9	225	40				
12	400	30				
18	900	20				
24	1600	15				
36	3600	10				
48	6400	7.5				

### ◆ Contact Rating

Resistive load	20A 277VAC, 17A 250VAC, 20A 125VAC, 16A 30VDC, 17A 24VDC, TV-10 125VAC
----------------	--

# ◆ S22 RELAY

## ◆ SHORI

### ◆ Type List

Terminal style	Contact form	Designation(provided with)	
		Sealed type	Sealed type washable
PCB terminal	1A (SPNO)	S22-12-1A	S22-12-1AS
	1B (SPNC)	S22-12-1B	S22-12-1BS
	1C (SPDT)	S22-12-1C	S22-12-1CS

### ◆ Ordering information

S22 - 12 - 1A S  
1 2 3 4

1. S22 -- Basic series designation

2. 12 -- Coil Voltage (3V~48V)  
12B -- High Sensitivity type

3. 1A -- Form A, normally open (SPNO)  
1B -- Form B, normally closed (SPNC)  
1C -- Form C, double-throw (SPDT)

4. Blank -- Sealed type  
S -- Sealed type washable

### ◆ Specification

Contact material	Silver Alloy	
Contact resistance	100m Ω Max	
Operate time	15ms Max	
Release time	10ms Max	
Insulation resistance	100 M Ω Min. (DC 500V)	
Dielectric strength	Between open contact : AC 1000V ,50/60Hz 1 min.	
	Between contact and coil : AC 2500V, 50/60Hz 1 min.	
Vibration resistance	Operating extremes	10~50Hz, amplitude 1.0 mm
	Damage limits	10~50Hz, amplitude 1.0 mm
Shock resistance	Operating extremes	10G
	Damage limits	100G
Life expectancy	Mechanical	10,000,000 operations (frequency 18,000 operations/hr)
	Electrical	100,000 operations (frequency 360 operations/hr)
Operating ambient temperature	-40~+85°C (no freezing)	
Weight	Approx. 13g	

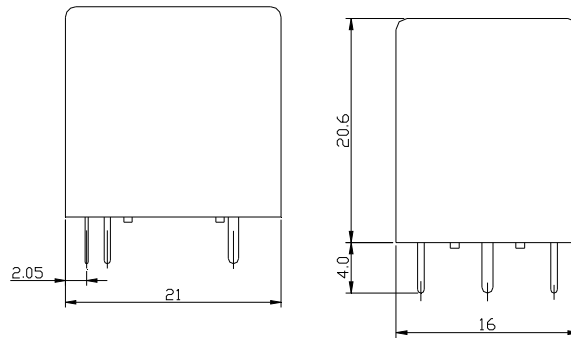
### ◆ Safety Approval

Certified	UL/CUL	TUV
File No.	E188091	

## ◆ Safety Approval Rating

UL/CUL		VDE
1A	20A 277VAC 17A 250VAC	20A 125VAC 17A 250VAC 16A 30VDC 17A 24VDC
	16A 30VDC 17A 24VDC	
20A 125VAC TV-10 125VAC		
1B	20A 277VAC 15A 250VAC	
	15A 30VDC 15A 24VDC	
	20A 125VAC TV-8 125VAC	
1C	NO:20A 125VAC 17A 250VAC 16A 30VDC	
	NC:16A 125VAC 15A 250VAC 15A 30VDC	

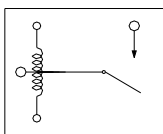
## ◆ Outline dimensions



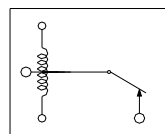
## ◆ Wiring Diagram

BOTTOM VIEW

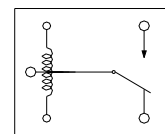
1A



1B

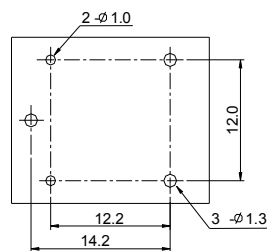


1C



## ◆ PC BOARD LAYOUT

BOTTOM VIEW



## X-ON Electronics

Largest Supplier of Electrical and Electronic Components

*Click to view similar products for [General Purpose Relays](#) category:*

*Click to view products by [Shori](#) manufacturer:*

Other Similar products are found below :

[APF30318](#) [JVN1AF-4.5V-F](#) [PCN-105D3MHZ](#) [5JO-10000S-SIL](#) [5JO-1000CD-SIL](#) [5JO-400CD-SIL](#) [LY2S-AC220/240](#) [LYQ20DC12](#)  
[6031007G](#) [6131406HQ](#) [6-1393099-3](#) [6-1393099-8](#) [6-1393122-4](#) [6-1393123-2](#) [6-1393767-1](#) [6-1393843-7](#) [6-1415012-1](#) [6-1419102-2](#) [6-](#)  
[1423698-4](#) [6-1608051-6](#) [6-1608067-0](#) [6-1616170-6](#) [6-1616248-2](#) [6-1616282-3](#) [6-1616348-2](#) [6-1616350-1](#) [6-1616350-8](#) [6-1616358-7](#) [6-](#)  
[1616359-9](#) [6-1616360-9](#) [6-1616931-6](#) [6-1617039-1](#) [6-1617052-1](#) [6-1617090-2](#) [6-1617090-5](#) [6-1617347-5](#) [6-1617353-3](#) [6-1617801-8](#) [6-](#)  
[1617802-2](#) [6-1618107-9](#) [6-1618248-4](#) [M83536/1-027M](#) [CX-4014](#) [MAHC-5494](#) [MAVCD-5419-6](#) [703XCX-120A](#) [7-1393100-5](#) [7-1393111-7](#)  
[7-1393144-5](#) [7-1393767-8](#)