




Product information GSA 3000 schwarz/black

Industrial Connecting Solutions:Rectangular Connectors:Valve Connectors (Type A -B -C):Type A:Receptacle Valve Connectors (DIN EN 175 301-803):GSA 3000 schwarz/black

<http://www.e-catalog.beldensolutions.com/link/57078-24228-256261-256266-256270-276216-35136/en/conf/ui/istate>

Name	GSA 3000 schwarz/black
	
	Appliance connector with retaining nut, 2 screws M 3 x 10 and 1 screw M 3 x 5, longitudinal slots, open nut
Delivery informations	
Availability	available
Product description	
Description	Appliance connector with retaining nut, 2 screws M 3 x 10 and 1 screw M 3 x 5, longitudinal slots, open nut
Type	GSA 3000 schwarz/black
Order No.	932 597-100
Number of contacts	3 + PE
Standard	DIN EN 175 301-803-A
Housing Color	black
Construction type	A
Technical data	
Rated voltage	AC/DC 400 V
Rated current	16 A
Contact resistance	<= 4 mOhm
Type of termination	solder, holes for possibility of soldering on both sides (ground contacts: screw)
Mounting	screw
Material	
Contact surface material	Sn
Contact bearer material	PA
Housing material	PA
Environmental conditions	
Protection class (IEC 60529)	IP 65 (gasket necessary) (mated)
Pollution severity	3
Temperature range	-40 °C to +125 °C
Inflammability class	
Contact bearer	94 V-0
Approvals	
UR	UR
VDE	VDE
CSA	CSA
Packaging unit	
Packaging unit	200 pieces
Scope of delivery and accessories	
Accessories to order separately	(NBR) flat gasket GSA 200-4, Order no. 730 843-002; (EPDM) flat gasket GSA 200-7, Order no. 730 268-003



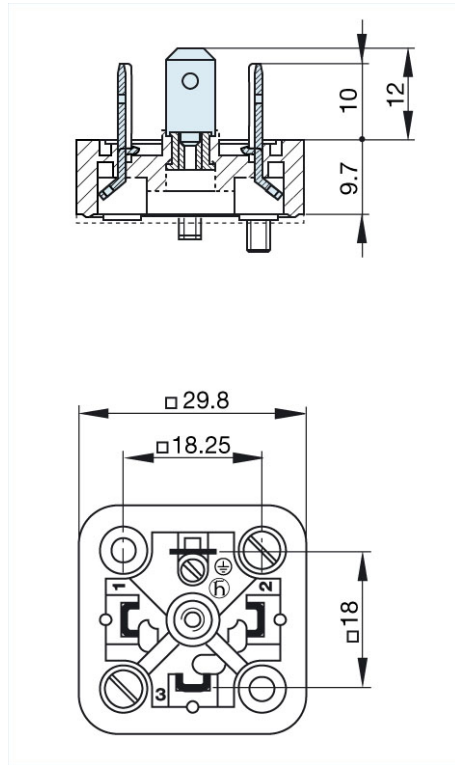
HIRSCHMANN

A BELDEN BRAND

Industrial Connecting Solutions:Rectangular Connectors:Valve Connectors (Type A -B -C):Type A:Receptacle Valve Connectors (DIN EN 175 301-803):GSA 3000 schwarz/black
<http://www.e-catalog.beldensolutions.com/link/57078-24228-256261-256266-256270-276216-35136/en/conf/ui/state>

Picture

Drawing



Belden Deutschland GmbH

Im Gewerbepark 2
58579 Schalksmühle
Germany
Phone: +49 7127/14-1806
E-Mail: icos-sales@belden.com

The information published in the websites has been compiled as carefully as possible. It is subject to alteration without notice in technical as well as in price-related/commercial respect. The complete information and data were available on user documentation. Mandatory information can only be obtained by a concrete query.

X-ON Electronics

Largest Supplier of Electrical and Electronic Components

Click to view similar products for [Heavy Duty Power Connectors](#) category:

Click to view products by [Hirschmann](#) manufacturer:

Other Similar products are found below :

[1424439](#) [1424438](#) [09330062652](#) [2-8675P1](#) [580129-2](#) [605601-1](#) [6340G1](#) [6341G1](#) [6360G1](#) [6373G1](#) [6374g2](#) [6396G1](#) [647757-1](#) [66394-4](#)
[6643411-1](#) [6646058-2](#) [6646137-1](#) [6646138-1](#) [6646348-1](#) [6646479-1](#) [6646608-1](#) [6646786-1](#) [6646940-1](#) [6651091-1](#) [6651525-1](#) [6651529-1](#)
[6651778-1](#) [6651788-1](#) [696465-1](#) [696475-1](#) [73000005059](#) [73000005349](#) [73000005642](#) [73080255059](#) [73080965046](#) [765-15-0080A](#)
[765-16-0080B](#) [789.700-44](#) [789.700-54](#) [80-1010](#) [80-9](#) [827381-1](#) [829992-1](#) [902-77-02113](#) [PL00U-301-10D10](#) [PM103MOOLOO](#)
[PM16S1620S32-50](#) [PM212MOOLOO](#) [PM309FOOLOO](#) [PM324FOOLCH](#)