



Product information GSA-U 3000 N LO schwarz/black

Industrial Connecting Solutions:Rectangular Connectors:Valve Connectors (Type A -B -C):Type A:Receptacle Valve Connectors (DIN EN 175 301-803):GSA-U 3000 N LO schwarz/black

<http://www.e-catalog.beldensolutions.com/link/57078-24228-256261-256266-256270-276216-35140/en/conf/ui/istate>

Name GSA-U 3000 N LO schwarz/black



molded appliance coupler (IP 65 enclosure) with 4 cross-head screws and solder lug for flexible cables

Delivery informations

Availability available

Product description

Description molded appliance coupler (IP 65 enclosure) with 4 cross-head screws and solder lug for flexible cables

Type GSA-U 3000 N LO schwarz/black

Order No. 933 379-100

Number of contacts 3 + PE

Standard DIN EN 175 301-803-A

Housing Color black

Construction type A

Technical data

Rated voltage AC/DC 400 V

Rated current 16 A

Contact resistance $\leq 4 \text{ m}\Omega$

Type of termination solder

Mounting screw

Material

Contact surface material Sn

Contact bearer material PA

Housing material PA

Environmental conditions

Protection class (IEC 60529) IP 65 (gasket necessary)

Pollution severity 3

Temperature range -40 °C to +125 °C

Inflammability class

Contact bearer 94 HB

Approvals

UR UR

Packing unit

Packaging unit 200 pieces

Scope of delivery and accessories

Accessories to order separately (NBR) flat gasket GSA 200-4,
Order no. 730 843-002;
(EPDM) flat gasket GSA 200-7,
Order no. 730 268-003



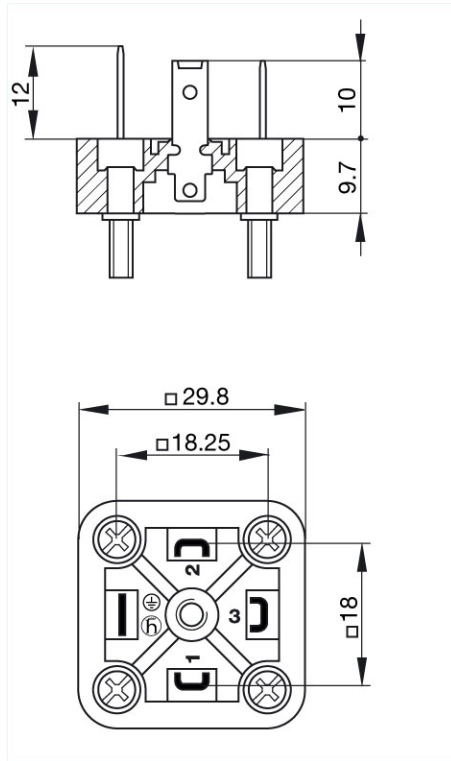
HIRSCHMANN

A BELDEN BRAND

Industrial Connecting Solutions:Rectangular Connectors:Valve Connectors (Type A -B -C):Type A:Receptacle Valve Connectors (DIN EN 175 301-803):GSA-U 3000 N LO schwarz/black
<http://www.e-catalog.beldensolutions.com/link/57078-24228-256261-256266-256270-276216-35140/en/conf/ui/state>

Picture

Drawing



Belden Deutschland GmbH

Im Gewerbepark 2
58579 Schalksmühle
Germany
Phone: +49 7127/14-1806
E-Mail: icos-sales@belden.com

The information published in the websites has been compiled as carefully as possible. It is subject to alteration without notice in technical as well as in price-related/commercial respect. The complete information and data were available on user documentation. Mandatory information can only be obtained by a concrete query.

X-ON Electronics

Largest Supplier of Electrical and Electronic Components

Click to view similar products for [Heavy Duty Power Connectors](#) category:

Click to view products by [Hirschmann](#) manufacturer:

Other Similar products are found below :

[1424439](#) [1424438](#) [09330062652](#) [2-8675P1](#) [580129-2](#) [605601-1](#) [6340G1](#) [6341G1](#) [6360G1](#) [6373G1](#) [6374g2](#) [6396G1](#) [647757-1](#) [66394-4](#)
[6643411-1](#) [6646058-2](#) [6646137-1](#) [6646138-1](#) [6646348-1](#) [6646479-1](#) [6646608-1](#) [6646786-1](#) [6646940-1](#) [6651091-1](#) [6651525-1](#) [6651529-1](#)
[6651778-1](#) [6651788-1](#) [696465-1](#) [696475-1](#) [73000005059](#) [73000005349](#) [73000005642](#) [73080255059](#) [73080965046](#) [765-15-0080A](#)
[765-16-0080B](#) [789.700-44](#) [789.700-54](#) [80-1010](#) [80-9](#) [827381-1](#) [829992-1](#) [902-77-02113](#) [PL00U-301-10D10](#) [PM103MOOLOO](#)
[PM16S1620S32-50](#) [PM212MOOLOO](#) [PM309FOOLOO](#) [PM324FOOLCH](#)