

MVP12, 8xM12, 5pole, plug. cap SCT. plug. cap, field-wireable via screw terminals

8-way, 5-pole
Screw plug-in terminals
potential separation as option
with LED for digital PNP-signals 24 V DC

Image

- with screw-plug terminals for field wiring

Approvals**Contact layout**

Contact 1	(+)
Contact 2	(N/C)/(S2)
Contact 3	(-)
Contact 4	(N/O)/(S1)
Contact 5	(Earth)
LED display	LED (green): Power LED (yellow): Signal (S1/S2)

Technical Data

Operating voltage	24 V DC
Signal per port	2
Operating current per contact (40 °C)	max. 4 A
Total current	max. 2 x 8 A
Connection	Screw plug-in terminals max. 1.5 mm ² (AWG 16)
Housing	Plastic, flame retardant
Protection	IP65 and IP67 when plugged and screwed down (EN IP67)
Temperature range	-20...+80 °C

Technical data M12 port

Locking of ports	Screw thread M12 x 1 mm
------------------	-------------------------

Commercial data

Gross weight	141
Net weight	141
Weight unit	gram
Basic unit	pc.
Customs tariff number	85369010
Unit (piece)	1
Limited value	1

Accessories

	Art.-No.
M12 plastic lock screw	58627
DIN-rail adapter	27905
Label plate for use with MVP 17X9mm, white, 2 sets=12 pieces.	996050
Coding element PU 6 for use with MVP12 / MVP8 - plug. clamps	996054
adaptor M12 male/ M8 female 3p., seizure 1,3,4	7000-42201-000000

All data on this data sheet was compiled carefully.

Liability regarding correctness, completeness, and actuality is limited to gross negligence. Created: 01/12

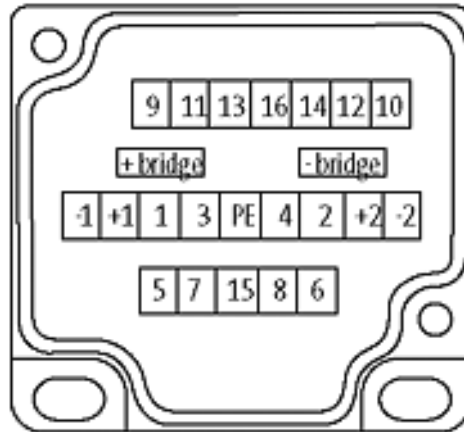
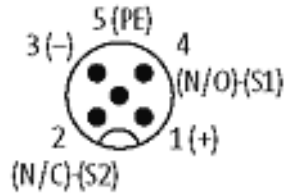
Comments

Plastic housings with good resistance against chemicals and oils.

The resistance to aggressive media should be individually tested for your application. Further details on request.

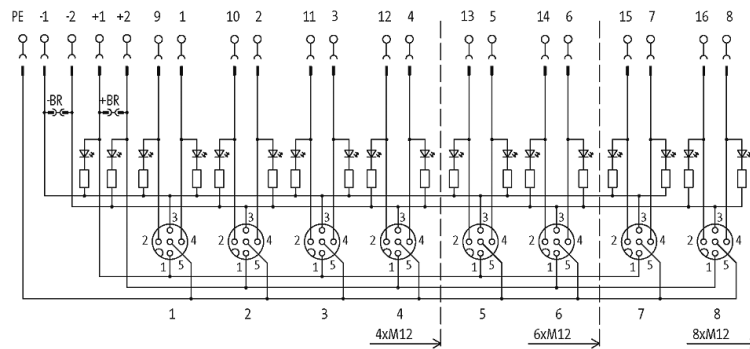
Contact layout

M12 Females 5-pole

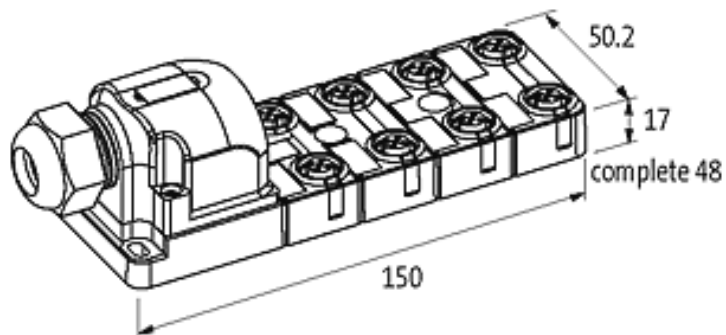


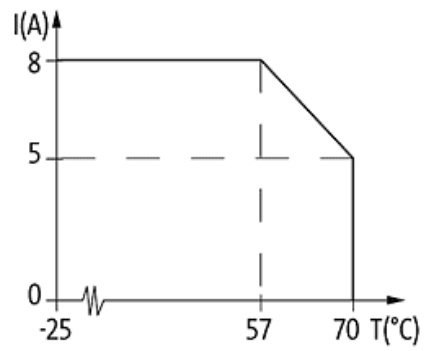
for 2 signals per port

Circuit diagram



Dimension drawing



De-rating curve

X-ON Electronics

Largest Supplier of Electrical and Electronic Components

Click to view similar products for [Sensor Cables / Actuator Cables](#) category:

Click to view products by [Murr Elektronik](#) manufacturer:

Other Similar products are found below :

[1300070444](#) [43-10984](#) [M83513/19-F01CP](#) [704000D02F120](#) [MDM15SH001K](#) [MDM25PH003BF222](#) [802027107404-1](#) [885030A09M010](#)
[885030A09M020](#) [1200650174](#) [1200651332](#) [1200651713](#) [1200660171](#) [1200660208](#) [1200660343](#) [1200660804](#) [1200660845](#) [1200660926](#)
[1200660977](#) [1200661173](#) [1200661354](#) [120066-1712](#) [1200720053](#) [1200720099](#) [1200720153](#) [1200720172](#) [1200720217](#) [1200720226](#)
[1200720251](#) [1200720285](#) [1200720296](#) [1200720404](#) [1200720537](#) [1200730148](#) [1200730378](#) [1200800231](#) [1200860112](#) [1200860121](#)
[1200860125](#) [1200860337](#) [1200860365](#) [1200860420](#) [1200870046](#) [1200870123](#) [1200870248](#) [1200980102](#) [1200660181](#) [1200660183](#)
[1200660827](#) [1200660849](#)