

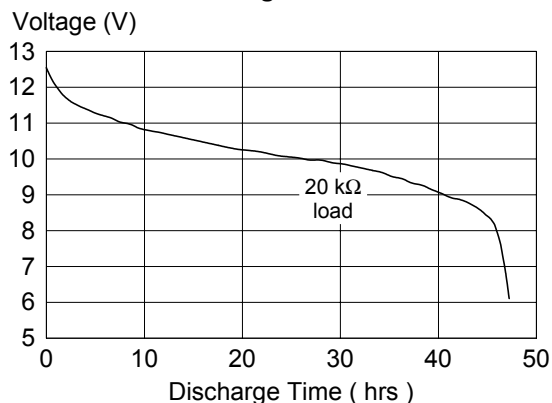
GP Batteries

Data Sheet

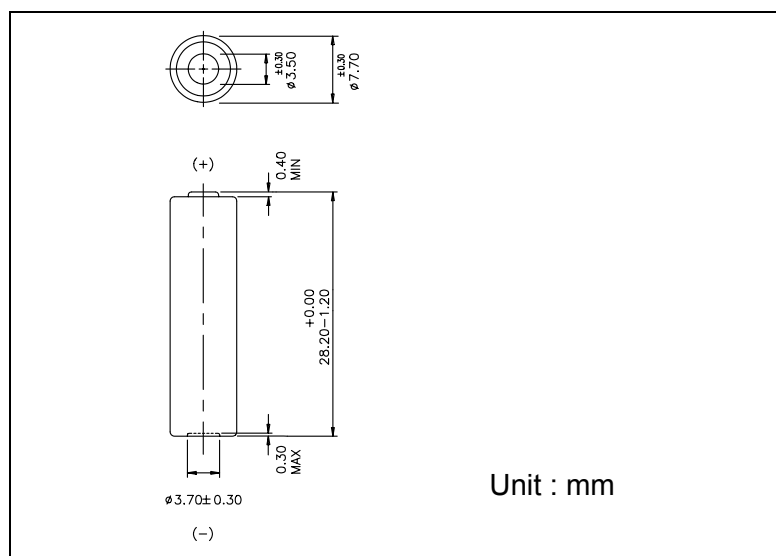
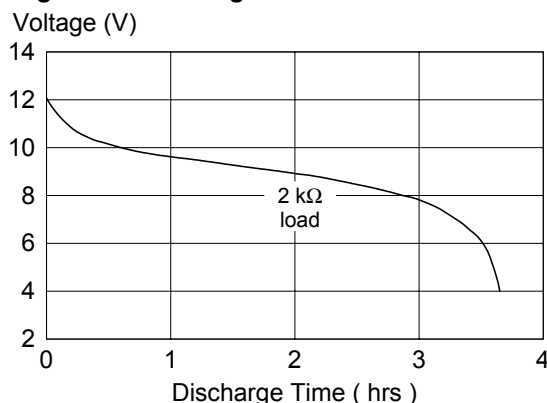
Model No.: GP27A

Type	: Alkaline High Voltage Battery			
Chemical System	: Zinc / Manganese Dioxide			
Nominal Voltage	: 12V			
Nominal Dimension	: \varnothing 7.7 X 28.0mm			
Terminal	: Nickel plated flat contacts - protruded red (+); recessed black (-)			
Jacket	: Metal jacket			
Internal Connection	: Pressure			
Applications	: Remote controller			
Average Weight	: 4.4g			
Date Code	: Every battery will carry a numeric year code and an analogue month code changing bi-monthly. Year code 0 for 2000, 1 for 2001, etc.			
Shelf Life	: Not less than 95% of service life for 1 year storage at 20°C; Not less than 85% of service life for 3 year storage at 20°C			
Insulation Resistance	: 5 M Ω min.			
Close Circuit Voltage	: 10.5V (min.) (load resistor 1.6 k Ω at 20°C for 0.1 to 2 seconds)			
Current Drain	: Under 5mA pulse, 0.5mA continuous			
Nominal Capacity (to 6.0V at 20°C)	: 20 mAh (at 20 k Ω load)			
Average Service Life (to 6.0V at 20°C)	: 38 hrs (at 20 k Ω load)			
Cross Reference	:			
GP	Duracell	Eveready	Varta	Bronica
27A	--	--	--	B1

Normal Rate Discharge



High Rate Discharge



* The information (subject to change without prior notice) contained in this document is for reference only and should not be used as a basis for product guarantee or warranty. For applications other than those described here, please consult your nearest GP Sales and Marketing Office or Distributors.

X-ON Electronics

Largest Supplier of Electrical and Electronic Components

Click to view similar products for [Battery Packs](#) category:

Click to view products by [GP Batteries](#) manufacturer:

Other Similar products are found below :

[2280309-1](#) [R101-B](#) [4114 210 501](#) [4120 210 501](#) [4600 726 406](#) [4610 726 406](#) [312G-U1](#) [55615703012](#) [3LR12](#) [4103 210 392](#) [4103 210 394](#)
[4106 210 392](#) [4106 210 394](#) [4223 210 501](#) [4606 726 406](#) [4607 726 406](#) [ZA13](#) [LR03/AAA/MN2400\(K4\)](#) [LR03 MAXELL S4](#) [LR1130](#)
[MAXELL B10](#) [LR14-MN1400-C K2](#) [LR1/910A](#) [LR41 MAXELL B10](#) [LR43](#) [LR43 MAXELL B10](#) [LR6 MAXELL S4](#) [11012](#) [E23A](#) [E90](#)
[625302](#) [625304](#) [637871](#) [638006](#) [6LF22/9V/MN1604\(K1\)C&B](#) [6LF22/9V/MN1604 PLUS](#) [6LR61](#) [SR626SW MAXELL](#) [SR920SW](#)
[MAXELL](#) [7K67 J](#) [55615303059](#) [GP14A S2](#) [GP15E](#) [GP1604GLF-2UE1](#) [GP 1604 ULTRA PLUS](#) [23733](#) [10 ET](#) [675 ET](#) [11A B5](#) [A544](#) [A76-](#)
[U10](#)