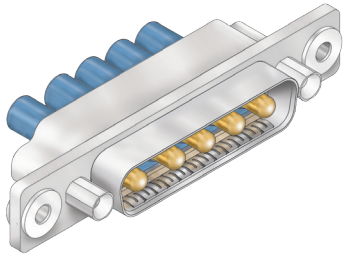


280-058P float mount combo pin connectors for blind mating, crimp termination



Combo HiPer-D® pin connectors feature size #20 signal contacts and size #8 power or coax contacts. **Size #8 contacts are ordered separately.** The HiPer-D® features a rugged machined aluminum shell, waterproof sealing and optional ground springs for improved resistance to electromagnetic interference. Size #20 contacts are packaged with connector. Terminate contacts with crimp tools purchased separately. Glass-reinforced thermoset epoxy insulators, copper alloy retention clips. Fluorosilicone face seal and rear grommet meet IP67 immersion requirement. 1000 VAC, 7.5 Amps (#20), up to 40 Amps with size #8 power contacts.

| How To Order | |
|---------------------------------------|---|
| Sample Part Number | 280-058P 4-25W3 JF G P |
| Basic Part Number | 280-058P |
| Shell Size-Contact Arrangement | See Shell Size - Contact Arrangements Table |
| Shell Finish | ME = Electroless Nickel (RoHS) MT = Nickel-PTFE (RoHS) JF = Cadmium with Yellow Chromate Z2 = Gold (RoHS) Z1 = Passivated Stainless Steel (RoHS) |
| Ground Spring | G = Supplied with EMI Ground Spring N = No Ground Spring |
| Mating Hardware | N = No Hardware G = Male Guide Pins B = Female Guide Bushings |

| Shell Size-Contact Arr. | Contact Size and Qty | |
|-------------------------|----------------------|----|
| | #20 | #8 |
| 1-2W2 | | 2 |
| 1-5W1 | 4 | 1 |
| 2-3W3 | | 3 |
| 2-7W2 | 5 | 2 |
| 2-11W1 | 10 | 1 |
| 3-5W5 | | 5 |
| 3-9W4 | 5 | 4 |
| 3-13W3 | 10 | 3 |
| 3-17W2 | 15 | 2 |
| 3-21W1 | 20 | 1 |
| 4-8W8 | | 8 |
| 4-13W6 | 7 | 6 |
| 4-17W5 | 12 | 5 |
| 4-21WA4 | 17 | 4 |
| 4-25W3 | 22 | 3 |
| 4-27W2 | 25 | 2 |
| 5-24W7 | 17 | 7 |
| 5-36W4 | 32 | 4 |
| 5-43W2 | 41 | 2 |
| 5-47W1 | 46 | 1 |

| Mating Hardware |
|--|
| N No Hardware #8-32 tapped hole |
| B Female Guide Bushings Non-removable |
| G Male Guide Pins Non-removable |

| Specifications | |
|-----------------------|--------------------------|
| Current Rating | #20 7.5 AMPS, #8 40 AMPS |
| Test Voltage | 1000 VAC RMS |
| Insulation Resistance | 5000 megohms minimum |
| Operating Temperature | -65° C. to +200° C. |
| Ingress Protection | IP 67 |
| Shock | 300 g. |
| Vibration, Random | 43.92 g. |

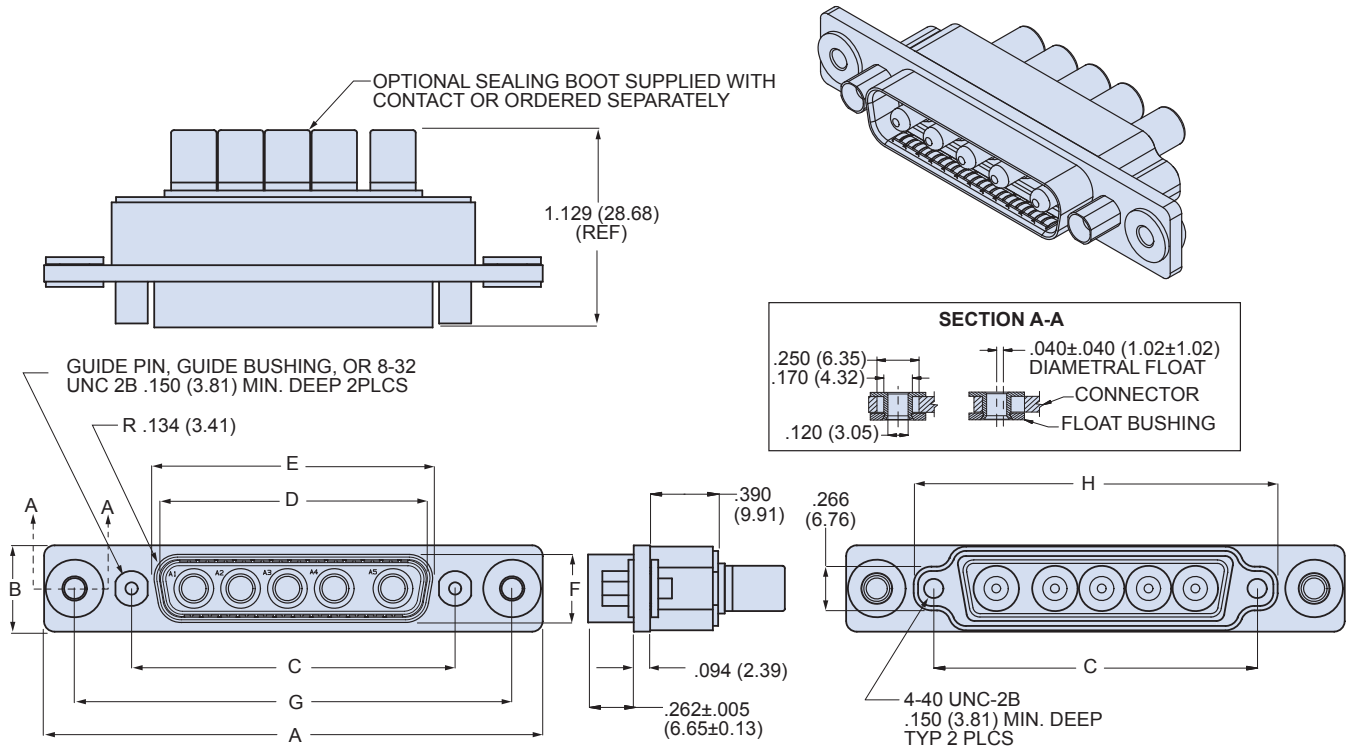
| Materials and Finishes | |
|------------------------|-----------------------------------|
| Shell | Aluminum alloy |
| Contacts | Copper alloy, 50 microinches gold |
| Insulators | Thermoset epoxy |
| EMI Spring | Copper alloy, nickel plated |
| Retention Clips | Copper alloy |
| Grommet, Seal | Fluorosilicone rubber |
| Hardware | 300 series stainless steel |

SERIES 28 HiPer-D® Combo Connectors



280-058P float mount combo pin connectors for blind mating, crimp termination

280-058P DIMENSIONS



| Dimensions | | | | | | | | | | | | | | |
|------------|--------------|--------------|--------------|--------------|---------|-------|--------------|--------------|--------------|--------------|---------|-------|--------------|--------------|
| Shell Size | A | | B | | C Basic | | E | | F | | G Basic | | H | |
| | in ± .015 | mm ± 0.38 | in ± .015 | mm ± 0.38 | in. | mm | in ± .005 | mm ± 0.13 | in ± .005 | mm ± 0.13 | in | mm | in ± .005 | mm ± 0.13 |
| 1 | 1.986 | 50.44 | .494 | 12.55 | .984 | 24.99 | .726 | 18.44 | .329 | 8.36 | 1.636 | 41.55 | 1.213 | 30.81 |
| 2 | 2.314 | 58.78 | .494 | 12.55 | 1.312 | 33.32 | 1.054 | 26.77 | .329 | 8.36 | 1.964 | 49.89 | 1.541 | 39.14 |
| 3 | 2.854 | 72.49 | .494 | 12.55 | 1.852 | 47.04 | 1.594 | 40.49 | .329 | 8.36 | 2.504 | 63.60 | 2.081 | 52.86 |
| 4 | 3.502 | 88.95 | .494 | 12.55 | 2.500 | 63.50 | 2.242 | 56.95 | .329 | 8.36 | 3.152 | 80.06 | 2.729 | 69.32 |
| 5 | 3.408 | 86.56 | .600 | 15.24 | 2.406 | 61.11 | 2.139 | 54.33 | .441 | 11.20 | 3.058 | 77.67 | 2.635 | 66.93 |

NOTES

1. See [About Series 28 HiPer-D® Shell Plating Options](#) for additional shell material and finish options. Glenair offers the industry's widest selection of plating options with no minimum order quantities or setup charges.
2. For panel cutouts, refer to [Panel Cutouts and Printed Circuit Board Footprints](#).
3. Connectors are supplied with size #20 crimp contacts per M39029. Contacts are not installed. Refer to [HiPer-D® Contacts and Tools](#) section for contact part numbers, specifications, crimp tool information, and insertion/extraction tools.
4. **Size 8 contacts are ordered separately.** Refer to [HiPer-D® Contacts and Tools](#) section for contact ordering information, specifications, crimp tool information, and insertion/extraction tools.
5. Combo HiPer-D® connectors meet the applicable requirements of MIL-DTL-24308 and are intermateable with standard non-environmental D Subminiature connectors with corresponding contact arrangements and type. **Size 8 contacts from other manufacturers cannot be installed in HiPer-D® connectors.**
6. Additional electrical, mechanical and environmental specifications are listed in [HiPer-D® Product Specification](#).

X-ON Electronics

Largest Supplier of Electrical and Electronic Components

Click to view similar products for [glenair](#) manufacturer:

Other Similar products are found below :

[GMR7580-15P4BSU](#) [DC40-10L](#) [MWDM2R-9P-4K5-18H-464A](#) [MWDM2R-25P-6K5-58M-464A](#) [805-001-16NF11-4SA](#) [687-348Z4-8-6](#)
[557-107M3-05CB](#) [450DS001N10-325](#) [MR75909P1BSU](#) [809-166-NF8](#) [103-026-012](#) [891-001-25PS-0A7-18J](#) [5M2920-3CW](#) [6000-063-0022](#)
[M28840/17AC1G3](#) [M28840/29CB1DAP1](#) [M32139/03-B06ST](#) [M39029/88-488](#) [M8351303-B14N](#) [M83513/03-C16N](#) [M83513/03-F11N](#)
[M83513/04-E03N](#) [M83513/13-B03CW](#) [M8351329-G02NW](#) [M85049130-07M](#) [M85049/1911N02](#) [M8504924-5W](#) [M85049/3610W03](#)
[M85049/39-17W](#) [M8504956-24N](#) [M85049/74-10-1](#) [M8504988-17P03](#) [M8504988-21N03](#) [M8504992-11M](#) [D38999/23YE26SN](#)
[759EA458NF32Z1732-40-102.9](#) [801-008-26NF7-25SA](#) [801-025-ARB2M6-4NA-12](#) [805-002-16M12-5SA](#) [858-003-01F](#) [860-004R-](#)
[B7MT07A-30-20](#) [G65217](#) [G8187C2010-44N](#) [G8377-21B](#) [G8801-09N](#) [G8801-25N](#) [G8859-174FNF](#) [947-432ME21-11SN](#) [947-432ME21-](#)
[35PN](#) [D3899933F21R](#)