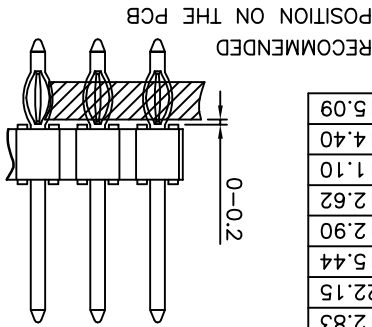


93690-1XX-XXLF	0.76µm GOLD/GXT OVER 1.27µm Ni MIN	CONTACT AREA	PRESS FIT TAIL AREA
93690-4XX-XXLF	3.05µm TIN OVER 1.27µm Ni MIN		
93690-5XX-XXLF	0.25µm GOLD/GXT OVER 1.27µm Ni MIN		
93690-7XX-XXLF	1.0µm TIN OVER 1.27µm Ni MIN		

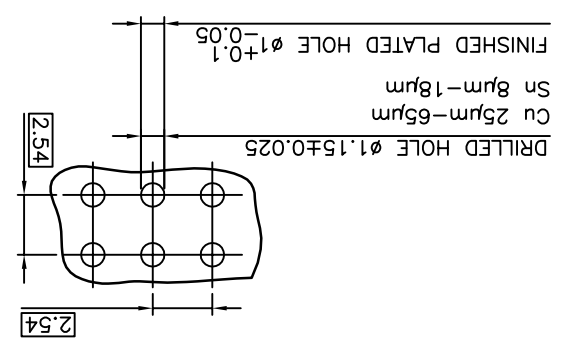
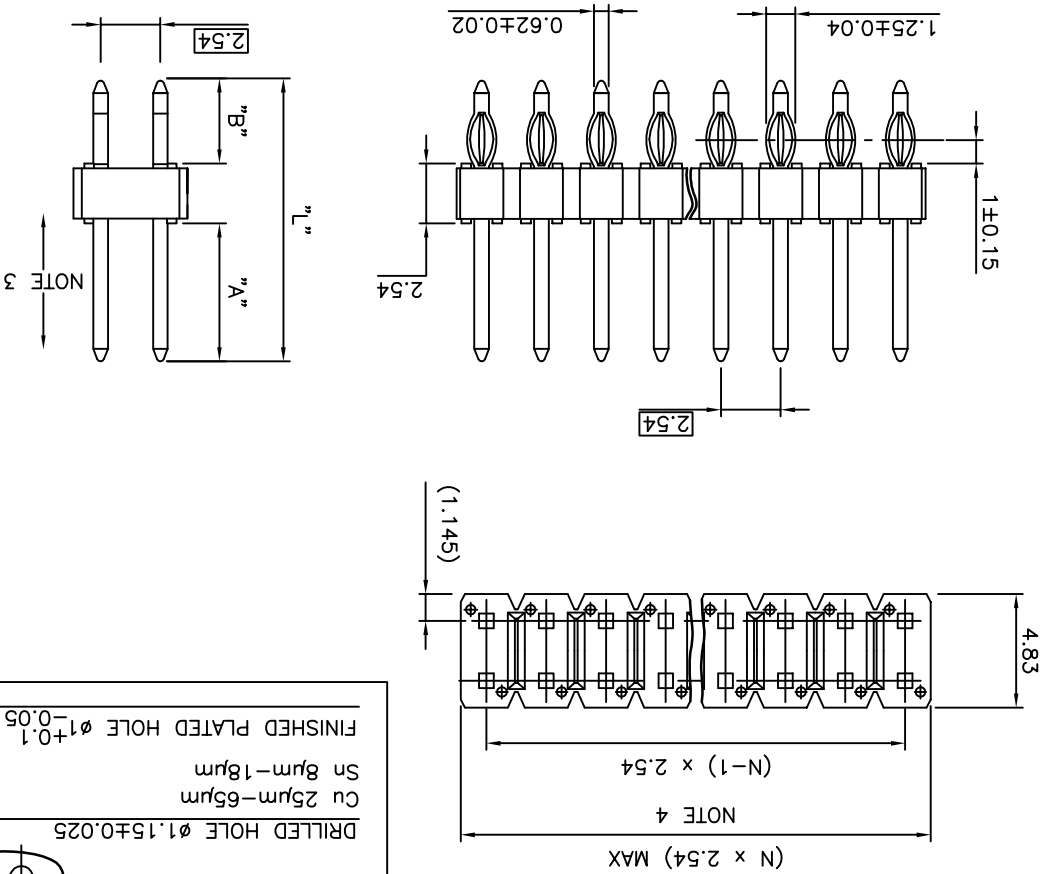
mat'l. code		SEE NOTE	surface	ISO 1302	tolerance unless otherwise specified	projection	ISO 406 ISO 1101
Ltr. ecn no.		dr	date	tolerances unless otherwise specified			
R B-18988		LMU	14.10.06	angles	linear	mm	
S F-22590		AMA	15.11.23	xxx ±0.05			
L F09-0043		JCO	09.05.07	scale 5:1			
M F10-0228		LMU	10.10.04	99.06.30			
N B16804		JCO	14.01.21	99.06.30			
P B-17404		JCO	14.04.07	99.05.06			
sheet revision		sheet					
index sheet		sheet					
type		CUSTOMER Drawing					
dwg no		93690					
sheet 1 of 1		size A3					
product family		HDR PRESS FIT DOUBLE ROW					
title		BSTIK					

- NOTES:
- HOUSING MAT'L: HIGH TEMPERATURE THERMOPLASTIC. UL94V-0 COLOR: BLACK
  - PIN MATERIAL: COPPER ALLOY
  - 9N MIN RETENTION IN EITHER DIRECTION
  - TO DETERMINE DIMENSIONS: N = NUMBER OF POSITIONS PER ROW  
EXAMPLE: 8 POS PER ROW, N x 2.54 = 20.32mm
  - PACKAGING POLYBAGS OR BLIBOX
  - LEAD FREE CONNECTOR
  - "LF" MEANS THAT THE PRODUCT IS ROHS COMPLIANT THEN MEETS EUROPEAN UNION DIRECTIVES AND OTHER COUNTRY REGULATION AS DESCRIBED IN GS-47-0004



PIN	DIM "A"	DIM "B"	DIM "L"	STYLE	REF	±0.15	04 TO 72
01	7.50	4.50	14.78	01	4.50	17.40	04 TO 72
02	10.14	4.50	12.83	02	4.50	17.40	04 TO 72
03	5.68	4.50	12.83	03	4.50	17.40	04 TO 72
04	14.80	4.75	22.15	04	4.75	22.15	04 TO 72
05	8.30	4.50	15.44	05	4.50	15.44	04 TO 72
06	6.80	3.60	12.90	06	3.60	12.90	04 TO 72
07	6.70	3.40	12.62	07	3.40	12.62	04 TO 72
08	5.20	3.40	11.10	08	3.40	11.10	04 TO 72
09	8.30	3.60	14.40	09	3.60	14.40	04 TO 72
10	9.20	3.35	15.09	10	3.35	15.09	04 TO 72

PRODUCT NUMBER 93690-XXX-XXLF  
 PLATING, SEE TABLE  
 LEAD FREE  
 SEE NOTE 6 & 7  
 TOTAL NB OF POS 04 TO 72



## X-ON Electronics

Largest Supplier of Electrical and Electronic Components

*Click to view similar products for [Headers & Wire Housings](#) category:*

*Click to view products by [FCT Electronics](#) manufacturer:*

Other Similar products are found below :

[95000-104TRLF](#) [10135584-644402LF](#) [DF62W-EP2022PCA](#) [95000-106TRLF](#) [DF62W-2022SCA](#) [DF62W-EP2022PC](#) [2203348](#) [DF62W-2022SC](#) [1084018](#) [1029039](#) [1084017](#) [802-10-012-10-002000](#) [1112640](#) [1112639](#) [891-007-9SS-BST1T](#) [000-34000](#) [0008550134](#) [0009482033](#) [0009507031](#) [57102-F02-18ULF](#) [57102-S06-03LF](#) [57202-S52-04LF](#) [PCN6-15S-2.5E](#) [0039019024](#) [58102-G61-06LF](#) [582553-1](#) [0009485154](#) [0009508121](#) [0022285053](#) [0050291907](#) [018731A](#) [LY20-4P-DT1-P1E-BR](#) [02.125.8002.8](#) [60101931](#) [60598-1 \(Cut Strip\)](#) [M1625-3R/100](#) [61062-3](#) [61082-181009](#) [CSU011177004](#) [636-1427](#) [638009-1](#) [641938-9](#) [641991-4](#) [644168-1](#) [644827-2](#) [647662-1](#) [65039-019ELF](#) [65692-001LF](#) [65781-018](#) [65781-047](#)