

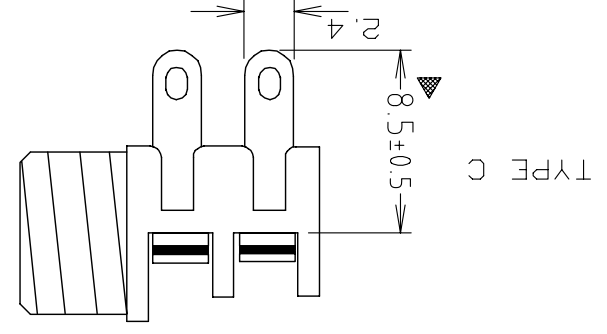
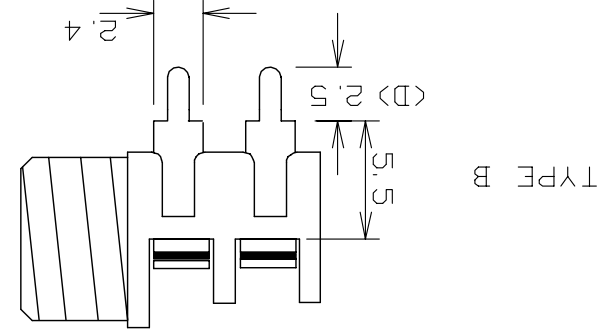
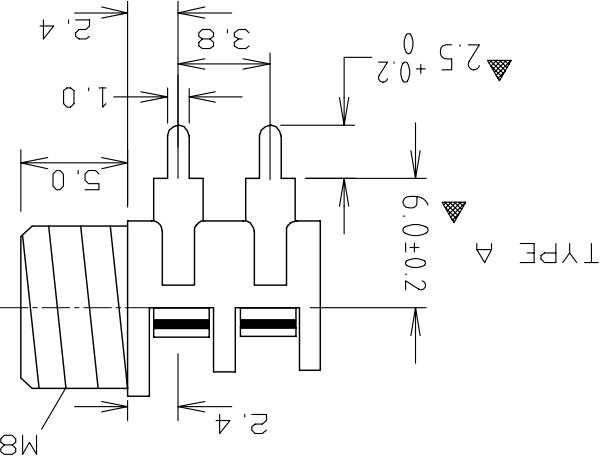
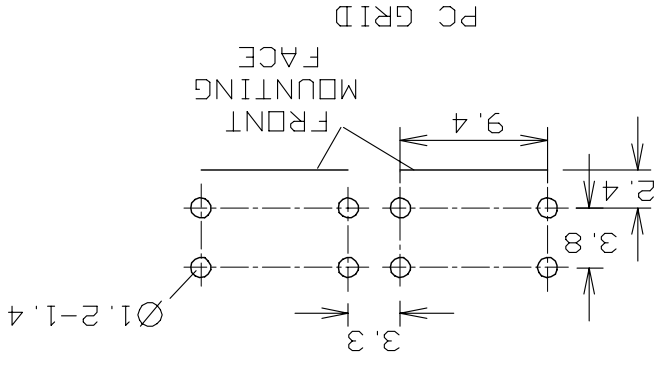
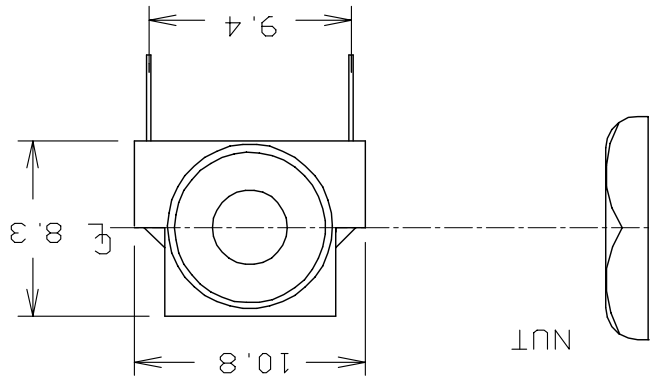


ISS.	AMEND	DATE
------	-------	------

1	REDRAWN	17/1/91
2	VARIANTS ADD	1/2/95
3	NOTE ADDED	1/3/95
4	CL1386 DELETE	13/10/97
5	ERR TOL WAS .2	17/11/98
6	▼ AMENDED	29/1/99
7	CL13845 ADDED	9/4/02

VARIANTS

P/No.	DESCRIPTION	TYPE
CL 1362	S6/SS BLK UNASS	C
CL 1366	S6/SB BLK	C
CL 1367	S6/SB BLK CURLY REAR	C
CL 1372	S6/SB BLK PC	A
CL 13735	S6/SB BLK PC CURLY REAR W/O NUTS	A
CL 1382	S6/BB BLK	C
CL 13829	S6/BB BLK PC (GOLD)	A
CL 138295	S6/BB BLK TWEAKED FRONT	C
CL 1384	S6/BB BLK PC	A
CL 13841	S6/BB BLK PC CURLY REAR	A
CL 13842	S6/BB BLK PC CURLY REAR W/O NUTS	A
CL 13843	S6/BB BLK PC N/N SPECIAL 5.5	B
CL 13844	S6/BB BLK PC SPECIAL 5.5	B
CL 13845	S6/BB BLK PC 5.5 / CURLY CONTACT	B
CL 1385	S6/BB BLK PC W/O NUTS	A
CL 1388	S6/MB BLK	C
CL 1389	S6/MB PC	A
CL 1390	S6/MM BLK	C
CL 1391	S6/MM/PC BLK	A
CL 1392	S6/MM/M PC CUSTON (D=2.7)	D



MAX PANEL THICKNESS 3.0mm.

NOTE: S6 SOCKETS ARE ONLY GUARANTEED TO PERFORM THE /SS FUNCTION. USERS REQUIRING 'B' OR 'M' FUNCTIONS MUST SATISFY THEMSELVES THAT THE PRODUCT IS SUITABLE FOR THEIR APPLICATIONS AND CLIFF ACCEPTS NO RESPONSIBILITY FOR USE OUTSIDE THE /SS FUNCTION.

▼ NOTE PARTS SUPPLIED TO ISSUE 5 UNTIL ISSUE 6 PARTS BECOME AVAILABLE.

Tolerance

NO DEC. PLACE ±
1 DEC. PLACE ± 0.15
2 DEC. PLACE ±
DIA. HOLES ±
ANGLES ± 1/2°
UNLESS
OTHERWISE STATED
WHERE USED F.R.

DIMENSIONS IN MILLIMETERS UNLESS OTHERWISE STATED. WORK TO DIMENSIONS. DO NOT SCALE DRAWING. 3rd ANGLE PROJECTION. REMOVE BURRS. IF IN DOUBT ASK.

CLIFF Electronic Components Limited 76 Holmehorpe Ave., Holmehorpe Ind. Estate, Redhill, Surrey, RH1 2PF, England. Tel: 01737-771375 Fax: 01737-766012	DRAWN C.A.M.J.	APPD. RWT	DRWG. No. CL1362	FORM: A4DRWGH
MATERIAL PBT/NIAG	FINISH AS MOULDED / NATURAL	TITLE S6 MINIATURE JACK SOCKET		

X-ON Electronics

Largest Supplier of Electrical and Electronic Components

Click to view similar products for [DC Power Connectors](#) category:

Click to view products by [Cliff](#) manufacturer:

Other Similar products are found below :

[1600206-1](#) [163-0301-EX](#) [163-0302](#) [163-0308-EX](#) [163-0310-EX](#) [163-1061-EX](#) [163-1100-EX](#) [163-4024](#) [163-4117-EX](#) [163-4118-EX](#) [163-5005-E](#) [163-7421](#) [163-MJ22-EX](#) [171-0721-EX](#) [171-0725-EX](#) [171-3118-EX](#) [171-3210-E](#) [171-3221-EX](#) [171-3222-EX](#) [171-A1326-EX](#) [173-23507-ST-EX](#) [173-5521TIP-EX](#) [173-6330TIP-EX](#) [KLDVX-SMT-02-ATR](#) [KLDX-0201-AHT-1](#) [KLDX-0202-AHT](#) [KLDX-SMT-0202-BP](#) [KLDX-SMT-0202-BPTR](#) [163-0179-EX](#) [163-0307-E](#) [163-0309-EX](#) [163-4007-EX](#) [163-4015-EX](#) [163-4025](#) [163-4119-E](#) [163-4303-E](#) [16PJ101-EX](#) [171-0702-EX](#) [171-0722-E](#) [171-0726-EX](#) [171-2122-EX](#) [171-3216-EX](#) [171-3218-EX](#) [171-3219-EX](#) [171-3220-EX](#) [171-7391](#) [173-3413-ST-EX](#) [173-4017-ST-EX](#) [RAPCBRK](#) [K596](#)