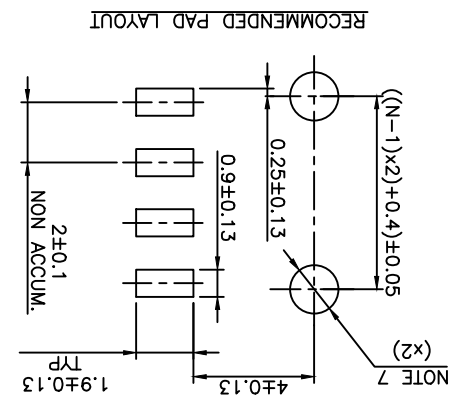
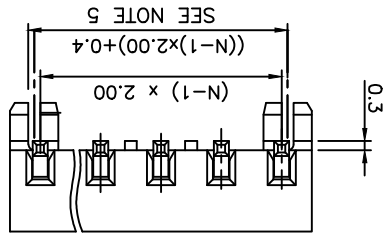
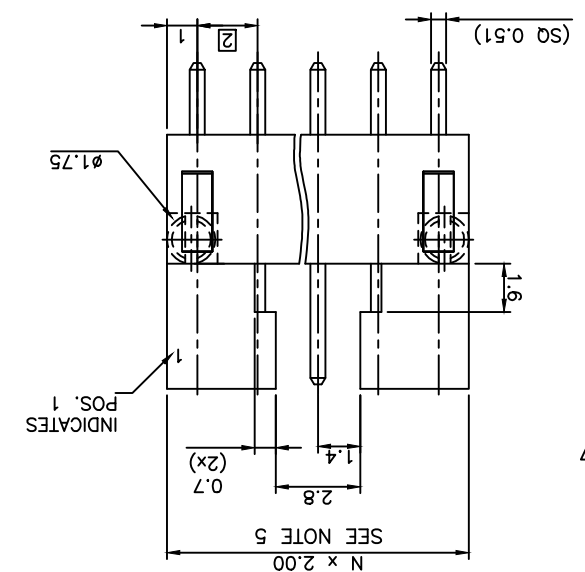


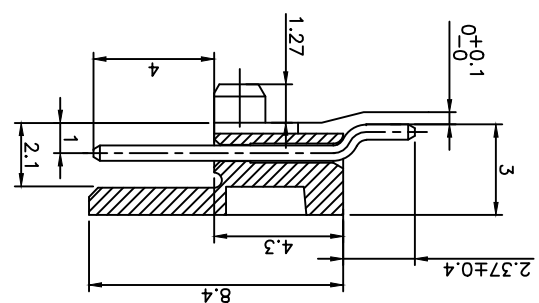
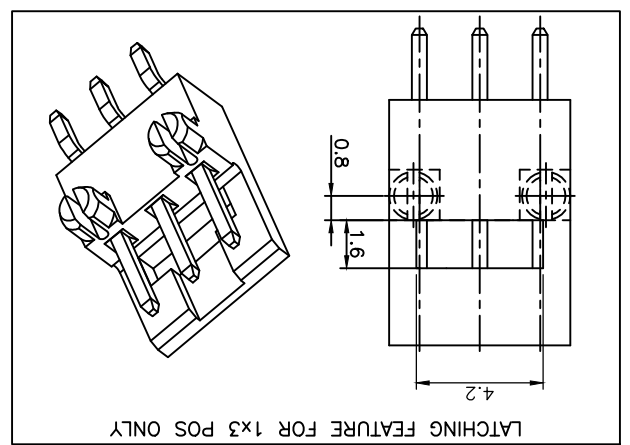
PRODUCT NUMBER  
95000-XXXXLF

PLATING  
TOTAL NB OF POSITIONS, 3 TO 17  
PACKAGING TYPE, NOTE 3  
ROHS COMPATIBLE, SEE NOTE 6

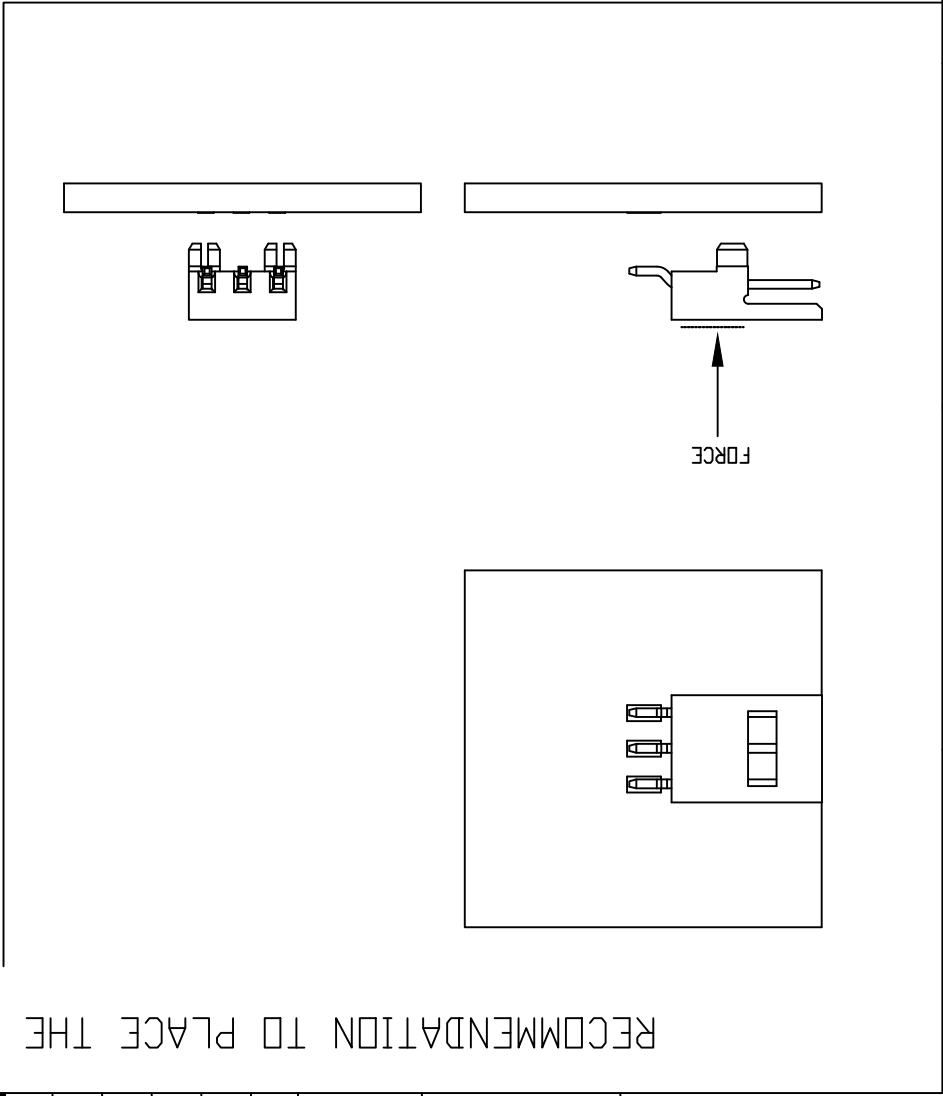
- 0 = 0.20µm GOLD/GXT ON CONTACT AREA
- 1 = 0.76µm GOLD/GXT ON CONTACT AREA
- 2.0µm MIN MATTE TIN ON TAILS
- 3 = 0.38µm GOLD/GXT ON CONTACT AREA
- 2.0µm MIN MATTE TIN ON TAILS
- T = FULL MATTE TIN 2µm-5µm
- 1.27µm NI MIN UNDERPLATING



- a - MANUFACTURING PROCESS COMPATIBILITY
- THE HOUSING WILL WITHSTAND EXPOSURE TO 260°C PEAK TEMPERATURE FOR 30 SECONDS MAX IN A CONVECTION, INFRA-RED OR VAPOR PHASE OR REFLOW OVEN.
- b - LABELLING:
- MEETS PACKAGING SPECS AS PER GS-14-920 AND OTHER COUNTRY REGULATIONS AS DESCRIBED IN GS-47-0004
- c - THIS PRODUCT MEETS EUROPEAN DIRECTIVES FOR INTERFERENCE FIT APPLICATIONS, SEE SHEET 2. HOLE DIMENSION TO BE  $\phi 1.60 \pm 0.07$
- 7 - HOLE DIMENSION TO BE  $\phi 1.95 \pm 0.07$  FOR NON INTERFERENCE FIT (LOCATIONAL) APPLICATIONS



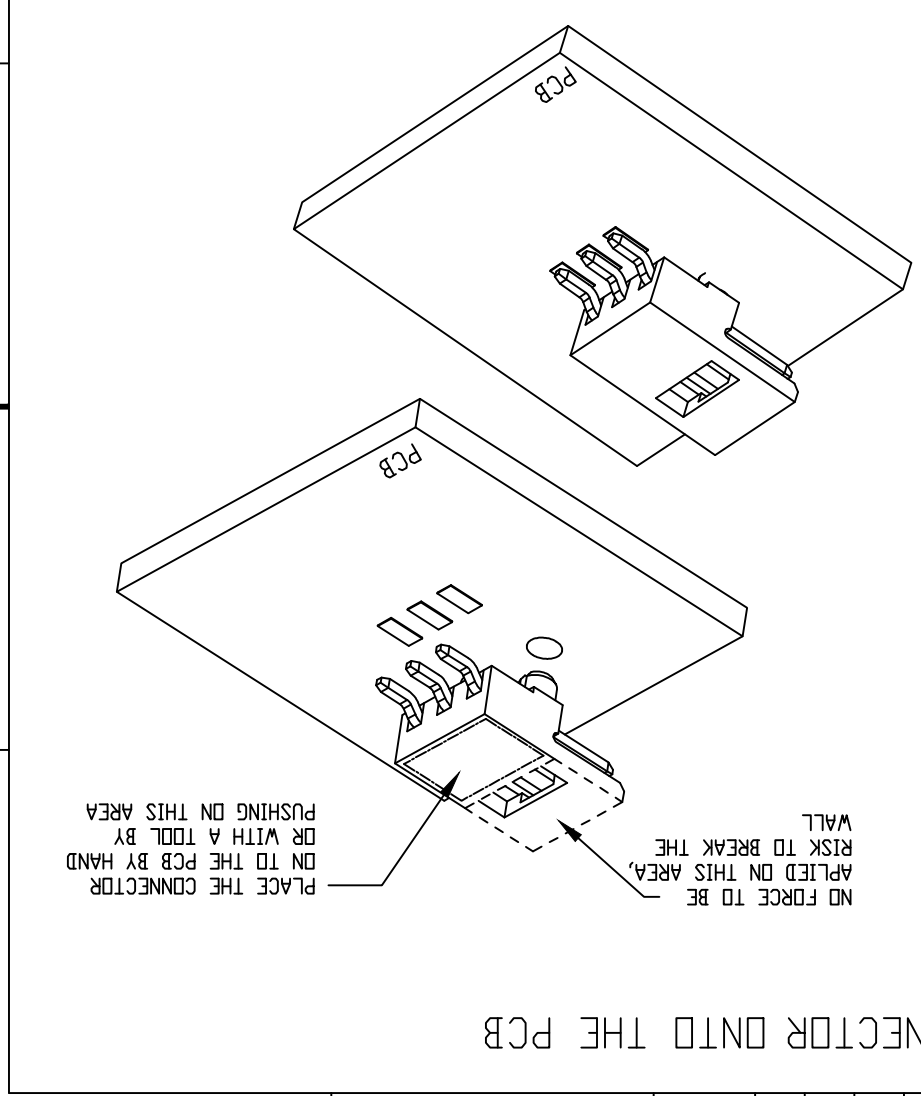
mat'l. code	ISO 1302	surface tolerance	ISO 406 ISO 1101	projection	product family	MINITEK
lit' ecn no	dr	date	tolerances unless otherwise specified	mm	title	MINITEK SMT HDR SR POLARIZATION & LATCHING
S	B-19986	JCO	15.01.13	angles	linear	x ±0.3
T	B-19995	JCO	15.01.15	angles	linear	xxx ±0.13
U	F-23052	AMA	16.01.15	±z	xxx	±0.05
N	B-15804	JCO	13.08.28	engr	J. FABRE	13.01.07
P	B-16822	JCO	14.01.23	chr	JL CORDIER	13.01.07
R	B-19187	LMU	14.10.24	appd	JMC	13.01.07
sheet index	revision	U	A	sheet	revision	U
1	2			1	2	



PDS: Rev: U

STATUS:Released Printed: Feb 12, 2016

mat'l. code	N/A	ISO 1302	surface	tolerance	ISO 406 ISO 101	projection	product family	MINITEK
litr ecn no	dr date	tolerances unless otherwise specified		0°.x	linear	mm	title	MINITEK SMT HDR SR
A	B-19986 J.FA	15.01.13	angles	0°.x	.000±.00x	scale 1:1	POLARIZATION & LATCHING	
dr	J.FABRE	15.01.07	0°.x	linear	.000±.00x	scale 1:1	MINITEK SMT HDR SR	dwg no
engr	L.MULIN	15.01.07	angles	0°.x	.000±.00x	scale 1:1	MINITEK SMT HDR SR	95000
chn	J.COMPAIGNON	15.01.12	0°.x	linear	.000±.00x	scale 1:1	MINITEK SMT HDR SR	A3
appd	JCO	15.01.13	0°.x	linear	.000±.00x	scale 1:1	MINITEK SMT HDR SR	sheet
index	revision	sheet	revision	sheet	revision	sheet	revision	sheet



RECOMMENDATION TO PLACE THE CONNECTOR ONTO THE PCB

## X-ON Electronics

Largest Supplier of Electrical and Electronic Components

*Click to view similar products for [Headers & Wire Housings](#) category:*

*Click to view products by [Amphenol](#) manufacturer:*

Other Similar products are found below :

[95000-104TRLF](#) [10135584-644402LF](#) [DF62W-EP2022PCA](#) [95000-106TRLF](#) [DF62W-2022SCA](#) [DF62W-EP2022PC](#) [2203348](#) [DF62W-2022SC](#) [1084018](#) [1029039](#) [1084017](#) [802-10-012-10-002000](#) [1112640](#) [1112639](#) [891-007-9SS-BST1T](#) [000-34000](#) [0008550134](#) [0009482033](#) [0009507031](#) [57102-F02-18ULF](#) [57102-S06-03LF](#) [57202-S52-04LF](#) [PCN6-15S-2.5E](#) [0039019024](#) [58102-G61-06LF](#) [582553-1](#) [0009485154](#) [0009508121](#) [0022285053](#) [0050291907](#) [018731A](#) [LY20-4P-DT1-P1E-BR](#) [02.125.8002.8](#) [60101931](#) [60598-1 \(Cut Strip\)](#) [M1625-3R/100](#) [61062-3](#) [61082-181009](#) [CSU011177004](#) [636-1427](#) [638009-1](#) [641938-9](#) [641991-4](#) [644168-1](#) [644827-2](#) [647662-1](#) [65039-019ELF](#) [65692-001LF](#) [65781-018](#) [65781-047](#)