

LED-Indicators



LED-INDICATORS – red section

We offer a complete range of high-quality bracket indicators. Diodes are carefully selected for constant colour and brightness, housings are solid brass and chromium-plated.

LED-Indicators

Ø 7 mm



Ø 7 mm



Ø 10.5 mm



Ø 9 mm
superbright



Ø 12.2 mm
waterproof



Ø 7 mm
tricoloured



Ø 9 mm
tricoloured



Ø 9 mm
flashing



Ø 12.2 mm
waterproof



with lead and
connector



LED-Indicators

Specifications:									
Models	P	V_F	I_F	I_V	λ_P	V_R	I_R	T_{OP}	
	Power dissipation (mW)	Forward voltage (V) ¹	Forward current (mA)	Luminous intensity (mcd) at $I_F = 10$ mA	Peak emission wavelength (nm) ¹	Reverse voltage (V)	Reverse current (μ A) at $V_R = 3$ V	Operating temperature (°C)	
LD 30 LD 32	85	min. typ. max.	2.1 3.0	20 25	1.8	700	100	- 40 + 85	
LD 34		min. typ. max.	2.0 2.2	20 40	20 ⁴	630		- 30 + 70	
LD 36 LDE 36 ³	100	min. typ. max.	1.7 2.0	20 50	20 30	660	100	- 30 + 85	
LD 40 LD 42		min. typ. max.	2.1 3.0	20 25	3.2	555		- 40 + 85	
LD 44	110	min. typ. max.	2.0 2.1	25 45	8 ⁴	565	10	- 30 + 70	
LD 46 LDE 46 ³		min. typ. max.	2.1 2.5	20 50	8 12	555		- 30 + 85	
LD 60 LD 62	85	min. typ. max.	2.1 3.0	20 25	2.7	600	100	- 40 + 85	
LD 64		min. typ. max.	2.1 2.2	35 50	10 ⁴	585		- 30 + 70	
LD 66 LDE 66 ³	125	min. typ. max.	2.2 2.5	20 50	16 24	580	100	- 30 + 85	
LD 70 LD 72		min. typ. max.	2.7 3.0 3.3	20 50	0.9 ⁴	470		- 20 + 80	
LD 56	45	red	min. typ. max.	2.1 3.0	10 20	2.2	700	- 40 + 85	
		green	min. typ. max.	2.1 3.0	10 25	3.9	555	- 40 + 85	
		yellow	Combination red / green						
LD 96 flashing	200	min. typ. max.			0.5 ² 1.6 ²	660	0.4	- 40 + 70	
¹ with typical forward current ² at $V_S = 5$ V		³ Water proofing at 30 minutes at 1 m water column = IP 67. ⁴ at $I_F = 20$ mA							

LED-Indicators

Models:

	Light colour	Housing	Dimensions
LD 30	red		
LD 40	green	brass	
LD 60	yellow	chromium-plated	
LD 70	blue		
LD 30 S	red		
LD 40 S	green	brass	
LD 60 S	yellow	black, matt finish	
LD 70 S	blue		

Also available with integrated resistor for 24 V operation.
Additional to type number: – 24

LD 32	red		
LD 42	green	brass	
LD 62	yellow	chromium-plated	
LD 72	blue		
LD 32 S	red		
LD 42 S	green	brass	
LD 62 S	yellow	black, matt finish	
LD 72 S	blue		

Also available with integrated resistor for 24 V operation.
Additional to type number: – 24

LD 34	red		
LD 44	green	brass	
LD 64	yellow	chromium-plated	
LD 34 S	red		
LD 44 S	green	brass	
LD 64 S	yellow	black, matt finish	

LD 36	red		superbright	
LD 46	green	brass		
LD 66	yellow	chromium-plated	superbright	
LD 36 S	red	brass		
LD 46 S	green	black, matt finish		
LD 66 S	yellow			

Also available with integrated resistor for 24 V operation.
Additional to type number: – 24

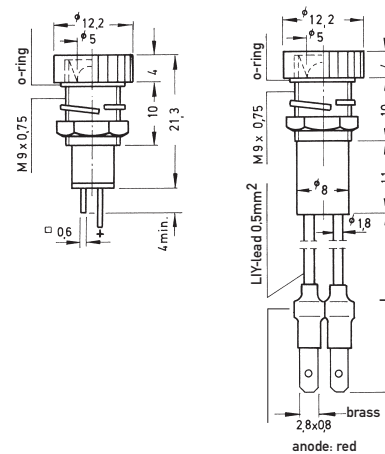


LED-Indicators

Models:

	Light colour	Housing		Dimensions
LD 56	red/green/yellow	brass chromium-plated	tricoloured	
LD 56 S	red/green/yellow	brass black, matt finish	tricoloured	
LD 96 R	red/red/red	brass chromium-plated	flashing	
LD 96 G	green/green/green			
LD 96 Y	yellow/yellow/yellow			
LD 96 SR	red/red/red	brass black, matt finish	flashing	
LD 96 SG	green/green/green			
LD 96 SY	yellow/yellow/yellow			
Flashing frequency = 3 Hz				
Supply voltage = 4.75 V – 7 V				

LDE 36	red	brass chromium-plated	waterproof	
LDE 46	green			
LDE 66	yellow			
LDE 36 S	red	brass black, matt finish	waterproof	
LDE 46 S	green			
LDE 66 S	yellow			



Special version: with lead and connector

Additional to type number: W

L = 50 mm; other length: minimum quantity and delivery time on request.

Also available with integrated resistor for 24 V operation.

Additional to type number: – 24

X-ON Electronics

Largest Supplier of Electrical and Electronic Components

Click to view similar products for [Standard LEDs - Through Hole category:](#)

Click to view products by [Knitter-Switch manufacturer:](#)

Other Similar products are found below :

[LTL-10254W](#) [LTL-1214A](#) [LTL-1BEDJ](#) [LTL-2231AT](#) [LTL-3251A](#) [LTL-4262N](#) [LTL-5234](#) [LTL87HTBK](#) [LTD-87HD4B](#) [7383/V7C3-BSTA-L/PR3/MS](#) [G22041431007J2C000](#) [HLMP-AG64-X10ZZ](#) [HLMP-EG1A-Z10DV](#) [HLMP-EL3B-WXKDD](#) [HLMP-HB74-UVBDD](#) [HLMP-HG65-VY0DD](#) [HLMP-HM74-34CDD](#) [HLMP-HM75-34CDD](#) [1L0532V23G0TD001](#) [NSPW500CS](#) [C4SMA-BGF-CQ34Q3C2](#) [L53GC13](#) [264-7SURTS530-A3](#) [L-C150JRCT](#) [S4SMS-BJF-CQ42QGF2](#) [S4SMS-GJF-CW12QMF2](#) [LD CQDP-1U3U-W5-1-K](#) [LNX998CKBDA](#) [LO566UHR3-70G-A3](#) [SLA560WBD2PT3](#) [LP379PPG1C0G0300001](#) [SLR-322MCT32](#) [SLR-342DUT32](#) [SLR-342MC3F](#) [SLR343BC7TT32](#) [SLR343BCTT32](#) [SLX-LX3044GD](#) [SLX-LX3044ID](#) [SLX-LX3044YD](#) [SNW-LX504SRC/4](#) [1.90690.3330000](#) [SSL-LX20483ID](#) [SSL-LX3034YD](#) [SSL-LX5093LGT-11](#) [SSL-LX5093PGC](#) [SSL-LX5093SRC/F](#) [SSL-LX5093SYT](#) [SSL-LX5099SRSGC-CA](#) [SSL-LX509E3SIT](#) [SSL-LX509FT3ID](#)