

LED-Indicators



LED-INDICATORS – red section

We offer a complete range of high-quality bracket indicators. Diodes are carefully selected for constant colour and brightness, housings are solid brass and chromium-plated.

LED-Indicators

Ø 7 mm



Ø 7 mm



Ø 10.5 mm



Ø 9 mm
superbright



Ø 12.2 mm
waterproof



Ø 7 mm
tricoloured



Ø 9 mm
tricoloured



Ø 9 mm
flashing



Ø 12.2 mm
waterproof



with lead and
connector



LED-Indicators

Specifications:											
Models	P	V_F	I_F	I_V	λ_P	V_R	I_R	T_{OP}			
	Power dissipation (mW)	Forward voltage (V) ¹	Forward current (mA)	Luminous intensity (mcd) at $I_F = 10$ mA	Peak emission wavelength (nm) ¹	Reverse voltage (V)	Reverse current (μ A) at $V_R = 3$ V	Operating temperature (°C)			
LD 30 LD 32	85	min. typ. max.	2.1 3.0	20 25	1.8	700	100	- 40 + 85			
LD 34	110	min. typ. max.	2.0 2.2	20 40	20 ⁴	630	10	- 30 + 70			
LD 36 LDE 36 ³	100	min. typ. max.	1.7 2.0	20 50	20 30	660	100	- 30 + 85			
LD 40 LD 42	85	min. typ. max.	2.1 3.0	20 25	3.2	555	100	- 40 + 85			
LD 44	110	min. typ. max.	2.0 2.1	25 45	8 ⁴	565	10	- 30 + 70			
LD 46 LDE 46 ³	125	min. typ. max.	2.1 2.5	20 50	8 12	555	100	- 30 + 85			
LD 60 LD 62	85	min. typ. max.	2.1 3.0	20 25	2.7	600	100	- 40 + 85			
LD 64	110	min. typ. max.	2.1 2.2	35 50	10 ⁴	585	10	- 30 + 70			
LD 66 LDE 66 ³	125	min. typ. max.	2.2 2.5	20 50	16 24	580	100	- 30 + 85			
LD 70 LD 72	62	min. typ. max.	2.7 3.0 3.3	20 50	0.9 ⁴	470	30	- 20 + 80			
LD 56	45	min. typ. max.	2.1 3.0	10 20	2.2	700	100	- 40 + 85	red		
		min. typ. max.	2.1 3.0	10 25					3.9	555	green
		min. typ. max.	2.1 3.0	10 25							yellow
Combination red / green											
LD 96 flashing	200				0.5 ² 1.6 ²	660	0.4	- 40 + 70			
¹ with typical forward current ² at $V_S = 5$ V		³ Water proofing at 30 minutes at 1 m water column = IP 67. ⁴ at $I_F = 20$ mA									

LED-Indicators

Models:

	Light colour	Housing	Dimensions
LD 30	red		
LD 40	green	brass	
LD 60	yellow	chromium-plated	
LD 70	blue		
LD 30 S	red		
LD 40 S	green	brass	
LD 60 S	yellow	black, matt finish	
LD 70 S	blue		

Also available with integrated resistor for 24 V operation.
Additional to type number: – 24

LD 32	red		
LD 42	green	brass	
LD 62	yellow	chromium-plated	
LD 72	blue		
LD 32 S	red		
LD 42 S	green	brass	
LD 62 S	yellow	black, matt finish	
LD 72 S	blue		

Also available with integrated resistor for 24 V operation.
Additional to type number: – 24

LD 34	red		
LD 44	green	brass	
LD 64	yellow	chromium-plated	
LD 34 S	red		
LD 44 S	green	brass	
LD 64 S	yellow	black, matt finish	

LD 36	red		superbright	
LD 46	green	brass		
LD 66	yellow	chromium-plated	superbright	
LD 36 S	red	brass		
LD 46 S	green	black, matt finish		
LD 66 S	yellow			

Also available with integrated resistor for 24 V operation.
Additional to type number: – 24

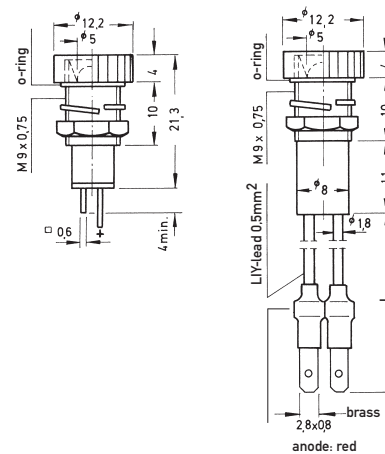


LED-Indicators

Models:

	Light colour	Housing		Dimensions
LD 56	red/green/yellow	brass chromium-plated	tricoloured	
LD 56 S	red/green/yellow	brass black, matt finish	tricoloured	
LD 96 R	red/red/red	brass chromium-plated	flashing	
LD 96 G	green/green/green			
LD 96 Y	yellow/yellow/yellow			
LD 96 SR	red/red/red	brass black, matt finish	flashing	
LD 96 SG	green/green/green			
LD 96 SY	yellow/yellow/yellow			
Flashing frequency = 3 Hz				
Supply voltage = 4.75 V – 7 V				

LDE 36	red	brass chromium-plated	waterproof	
LDE 46	green			
LDE 66	yellow			
LDE 36 S	red	brass black, matt finish	waterproof	
LDE 46 S	green			
LDE 66 S	yellow			



Special version: with lead and connector

Additional to type number: W

L = 50 mm; other length: minimum quantity and delivery time on request.

Also available with integrated resistor for 24 V operation.

Additional to type number: – 24

X-ON Electronics

Largest Supplier of Electrical and Electronic Components

Click to view similar products for [LED Displays & Accessories](#) category:

Click to view products by [Knitter-Switch](#) manufacturer:

Other Similar products are found below :

[LTC-2721WC](#) [LTC-4624JD](#) [LTC-4627G](#) [LTC-4627WC](#) [LTD-5021AWC](#) [LTM-8522G](#) [LTP-4323P](#) [LTP-747G](#) [LTS-3361JG-06](#)
[F416SYGWA/S530-E3](#) [EADST040RA2](#) [1668](#) [HT-F196NB-5323](#) [IPD2131-27](#) [SA03-12EWA](#) [LDD-E2802RD](#) [LDD-E306MI](#) [LDQ-N514RI](#)
[LDS-A3506RD](#) [LDS-A3926RI](#) [LDT-M516RI](#) [SC03-12HDB](#) [SI-B9T151550WW](#) [SI-B9V171550WW](#) [SLC-3PF-WL](#) [1624](#) [LTC-2621JD](#)
[LTC-2623WC](#) [LTC-4624P](#) [LTC-4627JD](#) [LTD-2601E](#) [LTD-322G](#) [LTD-482PC](#) [LTP-1457AKR](#) [LTP-3784G-01](#) [LTS-313AP](#) [LTS-4812SKR-](#)
[P](#) [LTS-547AE](#) [LTS-6780P](#) [446010401-3](#) [HV-7W30-6829](#) [CA12240_MINNIE-WWW-MTG-ASSY](#) [DA43-11GWA](#) [LDD-A516RI-17](#) [LDD-](#)
[E305RI](#) [LDQ-M513RI](#) [LDQ-M5204RI-SI](#) [LDQ-N3402RI](#) [LDQ-N3606RI](#) [LDT-M2804RI](#)