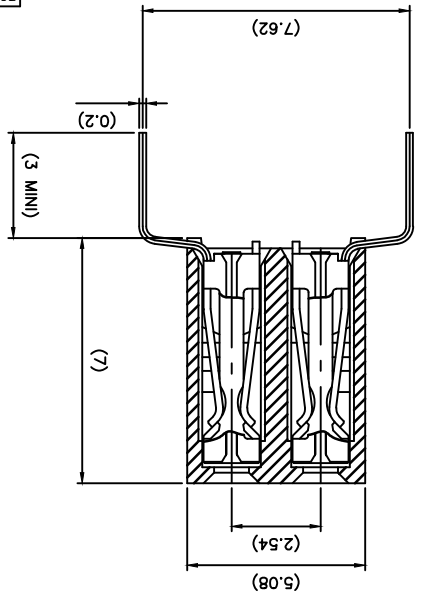
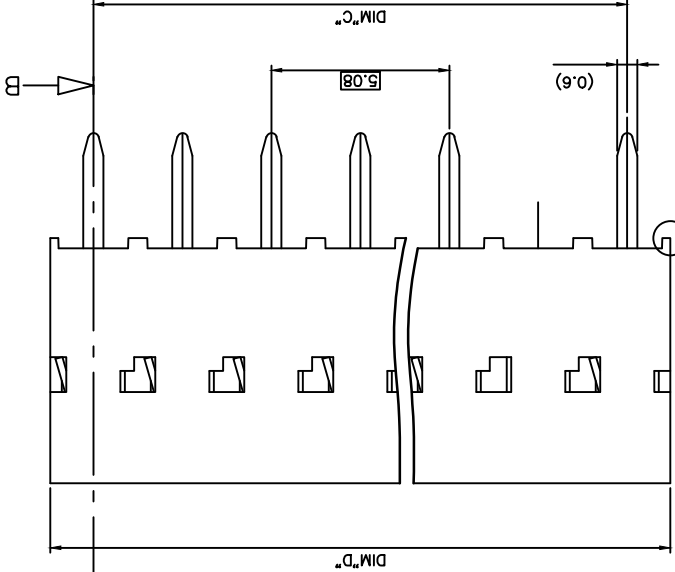
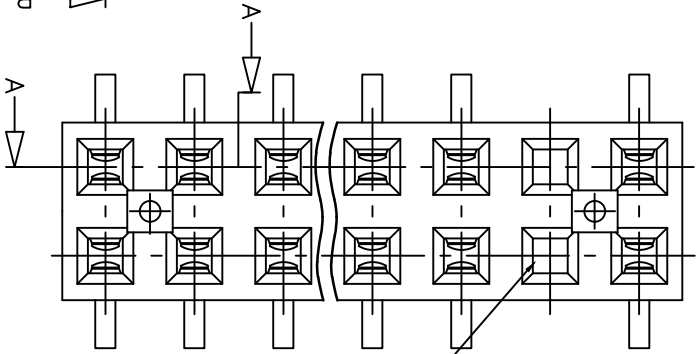


PRODUCT NB	95264-YXX(H)LF
DIM"C" & DIM"D"	SEE SHEET 2/2

RoHS COMPATIBLE, SEE NOTE 5

EXAMPLE MISSING TERMINAL



NOTES:

- 1 - MATERIAL HOUSING: THERMOPLASTIC POLYESTER, 30% GLASS FILLED, COLOUR BLUE. FLAME RETARDANT PER UL-94 CATEGORY VO.
- 2 - MATERIAL TERMINAL: PHOSPHOR BRONZE EXTRA HARD. FLAME RETARDANT PER UL-94 CATEGORY VO.
- 3 - MATERIAL HOUSING VERSION HIGH TEMPERATURE: PCT 30% GLASS FILLED, COLOUR GREY. FLAME RETARDANT PER UL-94 CATEGORY VO.
- 4 - THE DASH "H" AT THE END OF THE P/N TO INDICATE A HIGH TEMPERATURE HOUSING.
- 5 - RoHS COMPATIBLE. PRODUCT SPECIFICATIONS
- 6 - PLATING:
- 7 - "LF" MEANS THE PRODUCT IS LEAD-FREE, MINIMUM NICKEL UNDERPLATE.
- 8 - MANUFACTURING PROCESS COMPATIBILITY
- 9 - THE HOUSING WILL WITHSTAND EXPOSURE TO 260°C SOLDER BATH TEMPERATURE FOR 5 SECONDS IN A WAVE SOLDER APPLICATION WITH A 1.6mm MIN THICK CIRCUIT BOARD.
- 10 - LABELING:
- 11 - MEETS PACKAGING SPECS AS PER GS-14-9220
- 12 - LEGAL STATEMENT: SEE GS-47-0004
- 13 - END STAND-OFFS FOR 2x2 UP TO 2x4 POS
- 14 - NO END STAND-OFFS FOR 2x5 UP TO 2x50 POS

mat'l. code	surface	tolerance	projection	product family
SEE NOTES	ISO 1902	ISO 606 ISO	ISO 101	DX VCC DR
lift	ecm no	dr	date	reference unless otherwise specified
R-B-19124	LMU	14.10.21		
S-F-24429	AMA	16.07.01	angles	±0.3
			linear	
			±Z	
L-F06-0137	DLE	06.02.27	dr	O. MATHEVON 96.06.07
M-F06-0204	DLE	06.06.28	engr	J.M.PHAMVAN 96.06.07
N-F06-0263	DLE	06.11.21	chr	P.NIZZI 96.06.07
P-F11-0043	JOC	11.02.22	appd	J.M.P 96.06.07
sheet	revision	S	J	index
1	2			1

type	CUSTOMER Drawing
dwg no	95264
sheet 1 of 2	A2
scale	10:1
title	SPREADED LEGS
file	.300 SELECT. LOADED
product family	DX VCC DR



## X-ON Electronics

Largest Supplier of Electrical and Electronic Components

*Click to view similar products for [Headers & Wire Housings](#) category:*

*Click to view products by [FCT Electronics](#) manufacturer:*

Other Similar products are found below :

[95000-104TRLF](#) [10135584-644402LF](#) [DF62W-EP2022PCA](#) [95000-106TRLF](#) [DF62W-2022SCA](#) [DF62W-EP2022PC](#) [2203348](#) [DF62W-2022SC](#) [1084018](#) [1029039](#) [1084017](#) [802-10-012-10-002000](#) [1112640](#) [1112639](#) [891-007-9SS-BST1T](#) [000-34000](#) [0008550134](#) [0009482033](#) [0009507031](#) [57102-F02-18ULF](#) [57102-S06-03LF](#) [57202-S52-04LF](#) [PCN6-15S-2.5E](#) [0039019024](#) [58102-G61-06LF](#) [582553-1](#) [0009485154](#) [0009508121](#) [0022285053](#) [0050291907](#) [018731A](#) [LY20-4P-DT1-P1E-BR](#) [02.125.8002.8](#) [60101931](#) [60598-1 \(Cut Strip\)](#) [M1625-3R/100](#) [61062-3](#) [61082-181009](#) [CSU011177004](#) [636-1427](#) [638009-1](#) [641938-9](#) [641991-4](#) [644168-1](#) [644827-2](#) [647662-1](#) [65039-019ELF](#) [65692-001LF](#) [65781-018](#) [65781-047](#)