

SPECIFICATOIN

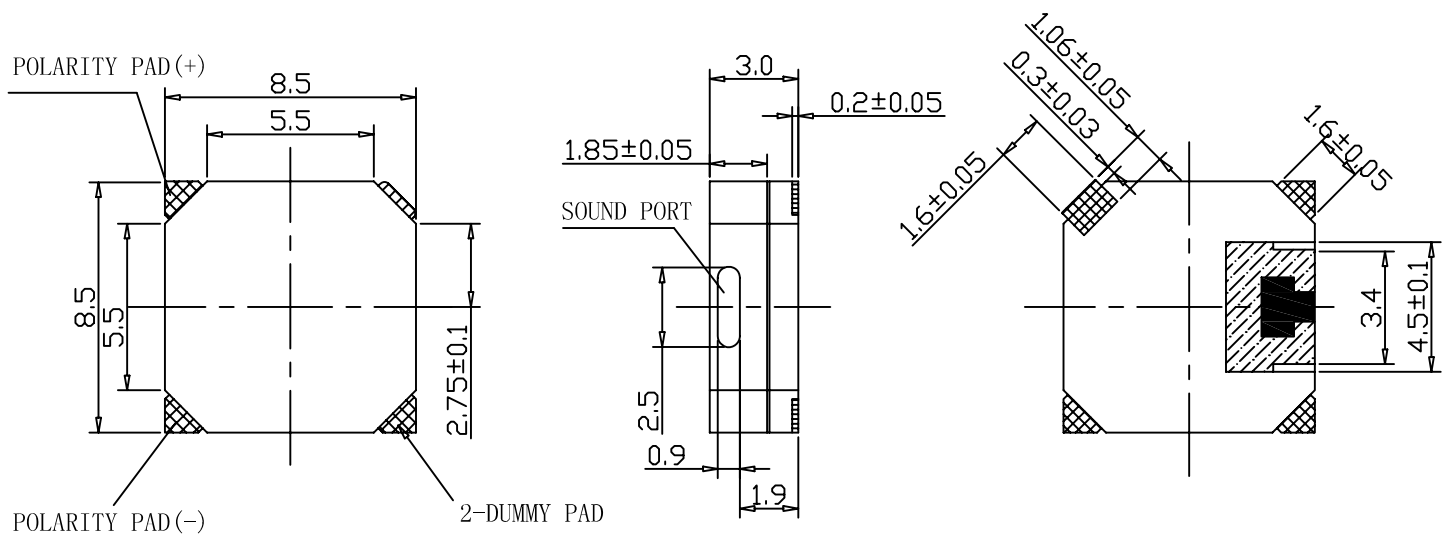
Test condition

TEMP. =25°C

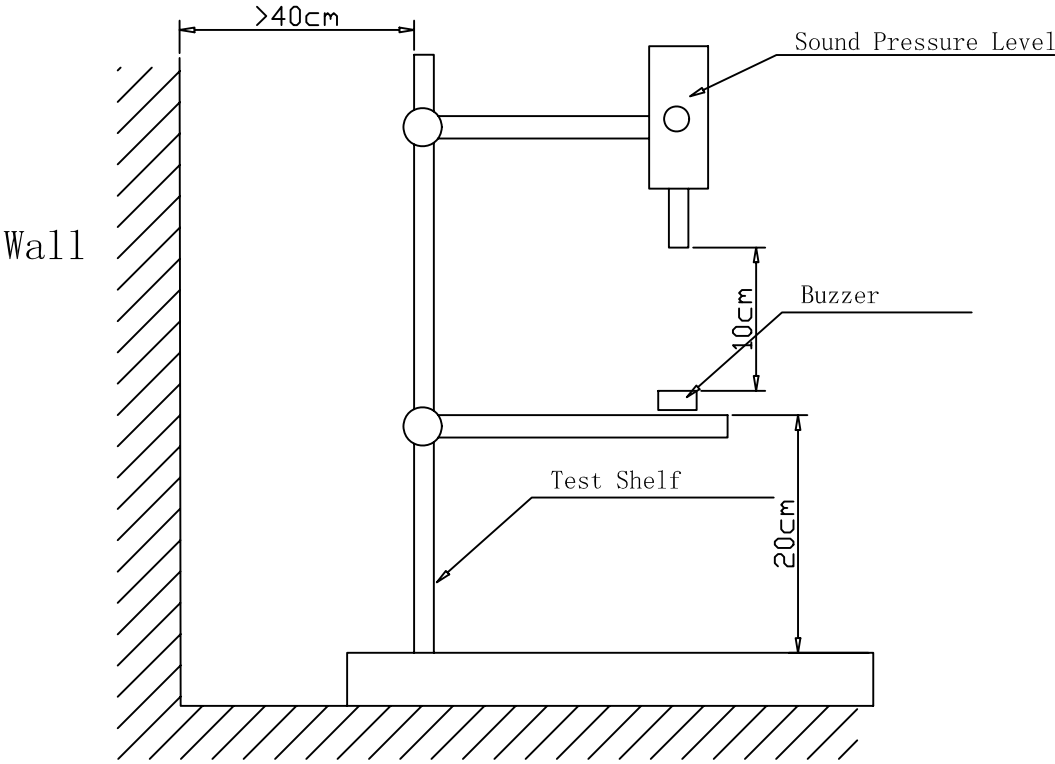
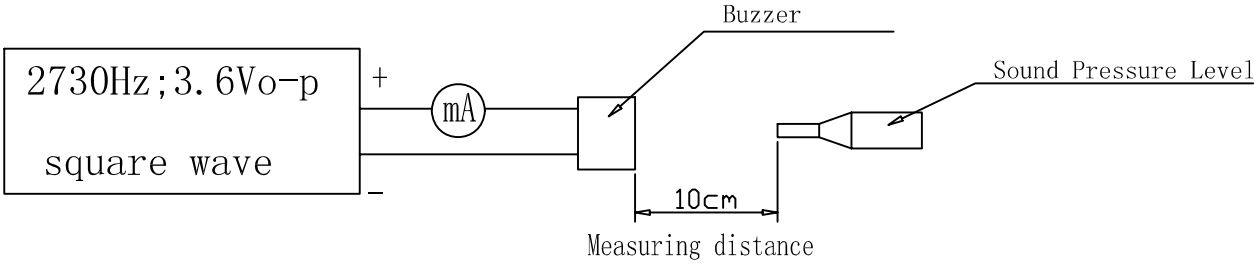
Item	Unit	Specification
Rated Voltage	Vo-p	3.6
Operating Voltage	Vo-p	2.5~4.5
*Rated Current (MAX.)	mA	90
*Sound Output at 10cm (Min.)	dB	85 (typ88)
*Rated Frequency	Hz	2730
Coil Resistance	Ω	16 ± 3
Lead Pin Material		SMD
Operating Temperature	°C	-30~+80
Storage Temperature	°C	-40~+85
Housing Material		LCP
Weight	g	0.6
*Value Applying at Rated Voltage.		

APPEARANCE DRAWING

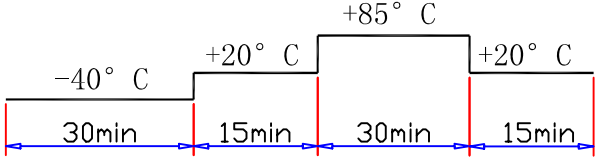
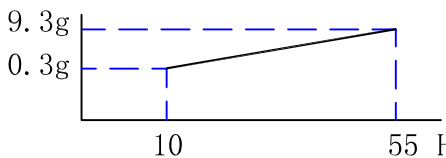
Unit:mm Tolerance:±0.2mm



MEASURING MENTHOD



RELIABLITY TEST

ITEM	TEST CONDITION	STANDARD
Storage in high temp.	Storage in $+85\pm 2^{\circ}\text{C}$ test box for 240 hours, then expose to the room temperature for 2 hours without applying power.	After test The value of frequency/ current/SPL should be meet specifications
Storage in low temp.	Storage in $-40\pm 2^{\circ}\text{C}$ test box for 240hours, then expose to the room temperature for 2 hours without applying power.	
Storage in humidity	Storage in $+40\pm 2^{\circ}\text{C}90-95\%RH$ test box for 48 hours, then expose to the room temperature for 2 hours without applying power.	
Temperature cycle test	 <p>Make this test for 5 cycle without applying power, then expose to the room temperature for 2 hours</p>	
Vibration test	 <p>Amplitude:1.5mm Time :1min/axis</p> <p>Make this test for the directions of X,Y,Z for 2 hours each (total 6 hours).</p>	
Drop test	Drop from the height of 100cm to the surface of 100mm thick woodenboard. three directions(X, Y, Z).	$\pm 5\text{dB}$
Solderability test	Soldering temp. : $260\pm 5^{\circ}\text{C}$. Heat applying time: $3\pm 0.5\text{sec}$.	90%min.lead terminals shall be wet with solder
Lead Pin Strength Pulling	The force 10 seconds of 9.8N is applied to each lead pin in axial direction	No damage and cutting off

X-ON Electronics

Largest Supplier of Electrical and Electronic Components

Click to view similar products for [Audio Indicators & Alerts](#) category:

Click to view products by [Loudity](#) manufacturer:

Other Similar products are found below :

[M2BJ-BH24E](#) [6-4](#) [68S1240-PA](#) [MBA-624](#) [F/BC 40P-DR LF](#) [FDG111PLF](#) [F/NRMB 24 BLACK LF](#) [PF-35N29WQ](#) [PFD-27A35PQ](#) [PL-27A35PSQ](#) [PS-531Q](#) [AB2020B-2-LW1](#) [EBPT-401](#) [PB06SD12AP](#) [PB-1220PEQ](#) [S6109](#) [SC2036ACP](#) [SC616N-2](#) [SC628FW](#) [SC628MPG](#) [SC648D](#) [SCS045MD9DT3S](#) [AB2025B-LW50-R](#) [ESZ-25B-5-250B](#) [F/BC 35-DR LF](#) [FCM12PLF](#) [F/EB20P-DR LF](#) [F/HU110MP24V-IP67B LF](#) [AI-2835-TF-LW150-2-R](#) [AI-4228-TF-LW305-R](#) [FSMD8585JSLF](#) [FSS-26T](#) [F/SU 21-02 LF](#) [F/TCW 05 WITH LABEL LF](#) [F/UCW 03 WITH LABEL LF](#) [F/UCW 06 WITH LABEL LF](#) [PKM22EPPH40S1-B0](#) [PKM35-4A0](#) [PL-35N29WQ](#) [PLD-27A35PQ](#) [PS-552Q](#) [CM-5](#) [M2BJ-BH24E-D](#) [REF-202](#) [LSC628ANR](#) [5-100 PAL-328](#) [03-810.001](#) [RTO-1R07-001](#) [PL-21N31PQ](#) [PF-27A25PSQ](#)