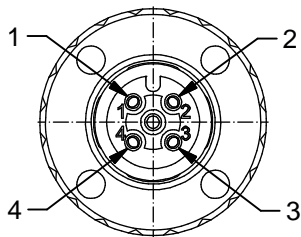
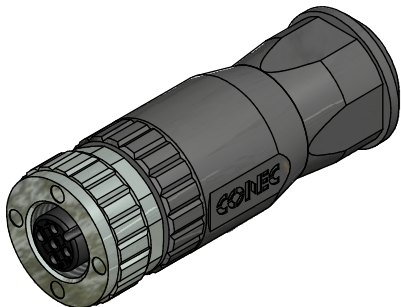
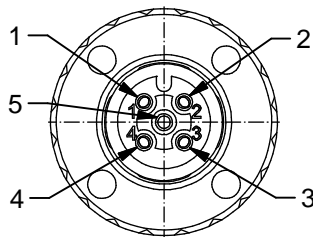


A-coding

4pos



5pos



Technical specification:

Rated voltage: IEC 61076-2-101	4pos 250 V	5pos 60 V
Current rating: IEC 61076-2-101	7,5 A at 40°C, with 1,5mm ²	
Insulation resistance: IEC 60512	$\geq 100 \text{ M}\Omega$	
Pollution degree: IEC 60664-1	3/2	
Degree of protection: IEC 60529	IP 67, in mated condition	
Temperature range:	-30°C ... +85°C	
Mating cycles: IEC 60512-9a	≥ 100	
Wire cross section:	max. AWG16 / max. 1,50 mm ² (incl. sleeve)	

Materials:

Contact:	CuZn
Contact plating:	Au over Ni
Contact carrier:	PA6, UL 94
Cable seal:	Elastomere
O-Ring:	FPM / NBR
Coupling nut:	GD-Zn, Ni plated
Housing:	PA6 GF, UL 94

Installation specification:

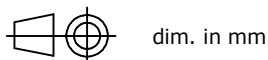
Recommended torque:	0,6 Nm
Conec installation tooling:	Torque wrench: 36-000200 Insert across flats 18: 36-000240
Recommended torque, screw termination contact:	0,3 Nm

Part no:	Description:	Pos:	Cable- Ø :
43-00092	SAL - 12 - RKC4 - S / 150	4	4 - 8 mm
43-00094	SAL - 12 - RKC5 - S / 150	5	4 - 8 mm

DO NOT ALTER CAD DRAWING BY HAND

Directive 2002/95/EC RoHS compliant

Index: c 17.03.14 BS Ä5133
data sheet a. description modified



	date	name
drawn	19.01.09	Burschik
appd.	19.01.09	Schmidt

general tolerance:	0 ± 0,50mm
	0,0 ± 0,25mm
	0,00 ± 0,10mm



THIS DRAWING MAY NOT BE COPIED OR REPRODUCED IN ANY WAY, AND MAY NOT BE PASSED ON TO A THIRD PARTY WITHOUT WRITTEN PERMISSION. OWNERSHIP AND COPYRIGHT OF CONEC GmbH

title: Female connector M12x1,
field attachable, axial,
screw connection

dwg no:

43K1A834

part no:

see table

X-ON Electronics

Largest Supplier of Electrical and Electronic Components

Click to view similar products for [Standard Circular Connector](#) category:

Click to view products by [CONEC](#) manufacturer:

Other Similar products are found below :

[C015](#) [10F006](#) [001](#) [1](#) [5M2530B10P](#) [600247N007](#) [600259N006](#) [600273N007](#) [600432N009](#) [6280-2PG-519](#) [6280-3PG-311](#) [6280-3SG-311](#)
[6280-7SG-3DC](#) [6280-7SG-522](#) [6282-5PG-311](#) [6282-6PG-519](#) [6282-8SG-311](#) [6283-11](#) [6283-15](#) [6290](#) [6293](#) [6382-2PG-311](#) [6382-2PG-3DC](#)
[6382-2SG-321](#) [6382-2SG-3DC](#) [6382-4SG-516](#) [67-03E20-37P](#) [681-PMG](#) [CXC3106A1811S](#) [CXS3102A14S2P](#) [CXS3102A181S](#)
[CXS3106A14S6S](#) [D38999/20FC8SA](#) [L/C](#) [MB12P-1](#) [MB12R-6](#) [7251-2PG-300](#) [7251-2SG-300](#) [7251-4PG-300](#) [7251-4SG-300](#) [7251-5PG-300](#)
[7251-5SG-300](#) [7251-6SG-300](#) [7251-7PG-300](#) [7251-8PG-300](#) [7271-6SG-300](#) [7282-3PG-300-CH3](#) [73000005663](#) [75-190011-03P](#) [75-190216-08S](#)
[75-190218-10P](#) [75-214636-52P](#) [75-474118-10P](#) [75-474211-03P](#)