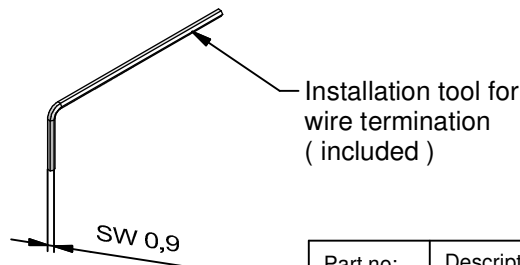
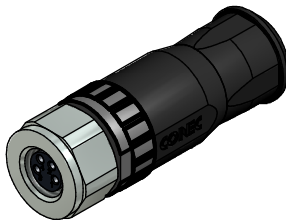
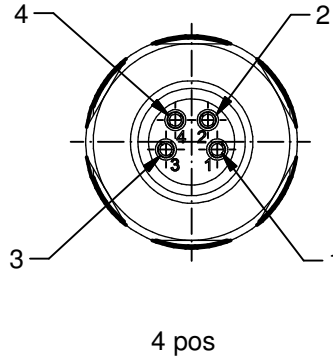
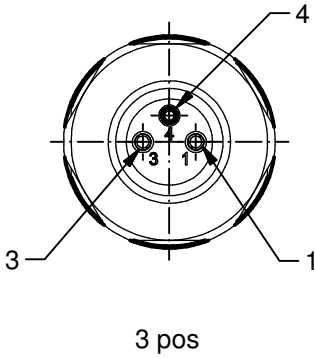
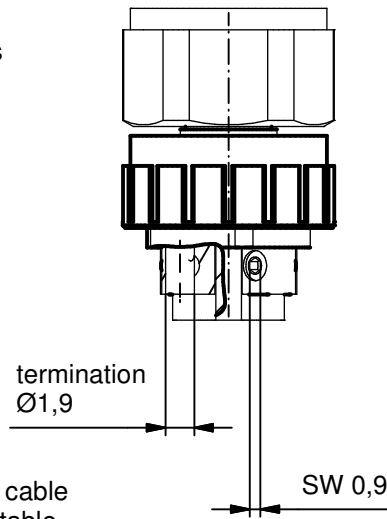


inner view
(2:1)



Technical specification:

Rated voltage: IEC 61076-2-104	3pos 60 V	4pos 30 V
Current rating: IEC 61076-2-104	4 A at 40°C with 0,5mm ²	
Insulation resistance: IEC 60512	≥ 100 MΩ	
Pollution degree: IEC 60664-1	3/2	
Degree of protection: IEC 60529	IP 67, in mated condition	
Temperature range: IEC 60664-1	-30°C ... +85°C	
Mating cycles: IEC 60512-9a	≥ 100	
Wire cross section:	AWG 20 / max. 0,5 mm ²	

Materials:

Contact:	CuZn
Contact plating:	Au over Ni in mating area
Contact carrier:	PA6, UL 94
Cable sealing:	NBR
O-Ring:	Silicone / NBR
Coupling nut:	CuZn, Ni
Housing:	PA6 GF, UL 94

**Installation specification for locking nut
to counter connector:**

Recommended torque:	0,4 Nm
Conec installation tool:	Torque wrench: 36-000200 Insert across flats 13: 36-000220

Part no:	Description:	Pos:	Cable-Ø:
42-00010	SAL - 8 - RKC3-S	3	4 - 5,5mm
42-00012	SAL - 8 - RKC4-S	4	4 - 5,5mm

DO NOT ALTER CAD DRAWING BY HAND Directive 2002/95/EC RoHS compliant	Index: c 18.07.13 KH Ä4842 Wire cross section adapted	dim. in mm	title: Female connector M8x1, field attachable , axial, screw termination						
	tolerance of cable:	<table border="1"> <thead> <tr> <th>date</th> <th>name</th> </tr> </thead> <tbody> <tr> <td>drawn 26.07.11</td> <td>Strakerjahn</td> </tr> <tr> <td>appd. 16.09.11</td> <td>Hüther</td> </tr> </tbody> </table>			date	name	drawn 26.07.11	Strakerjahn	appd. 16.09.11
	date	name							
	drawn 26.07.11	Strakerjahn							
appd. 16.09.11	Hüther								
general tolerance:	<table border="1"> <tr> <td>0</td> <td>± 0,50mm</td> </tr> <tr> <td>0,0</td> <td>± 0,25mm</td> </tr> <tr> <td>0,00</td> <td>± 0,10mm</td> </tr> </table>	0	± 0,50mm	0,0	± 0,25mm	0,00	± 0,10mm		42K1A316
0	± 0,50mm								
0,0	± 0,25mm								
0,00	± 0,10mm								
<small>THIS DRAWING MAY NOT BE COPIED OR REPRODUCED IN ANY WAY, AND MAY NOT BE PASSED ON TO A THIRD PARTY WITHOUT WRITTEN PERMISSION. OWNERSHIP AND COPYRIGHT OF CONEC GmbH</small>	part no:	see table							

X-ON Electronics

Largest Supplier of Electrical and Electronic Components

Click to view similar products for [Circular MIL Spec Connector](#) category:

Click to view products by [CONEC](#) manufacturer:

Other Similar products are found below :

[89075GULPR](#) [0025-262-542](#) [0025-264-3014](#) [58-570121-04S](#) [58-584653-12P](#) [0134-213-1208](#) [0134-213-2209](#) [0025-258-000](#) [60-042022-02P](#)
[60-042022-07P](#) [60-042022-19P](#) [60-042022-23P](#) [60-042217-10P](#) [60-042217-11P](#) [0114-201-1278](#) [012-0467-000](#) [602GB06EG24-61SN](#) [0134-](#)
[201-1207](#) [0134-207-2009](#) [0134-213-1006](#) [6104-207-2302](#) [6104-208-1902](#) [61-168617-10P](#) [6131-202-19149P](#) [6131-204-21149P](#) [6131-207-](#)
[13149P](#) [6131-208-13149P](#) [6131-209-17149P](#) [6131-210-11149P](#) [6131-211-19149P](#) [6131-216-19149P](#) [6131-220-25149P](#) [6131-259-11149P](#)
[6131-259-21149P](#) [6131-259-23149P](#) [6131-263-19149P](#) [6131-265-17149P](#) [6131-265-19149P](#) [CS3100A18-1P-472](#) [CS3101A-16-55P](#)
[CS3101A-24-67S](#) [CS3102A-10SL-53P](#) [CS3102A-18-1P116](#) [CS3102A-20-15P](#) [CS3102A-20-15S](#) [CS3102A-22-70S](#) [CS3102A24-19S-025](#)
[CS3102A-32-17P](#) [CS3102A32-25S](#) [CS3102A32-8S-023](#)