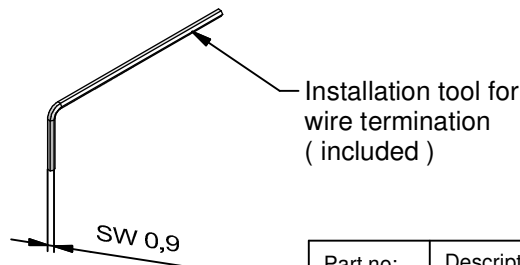
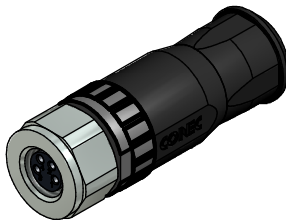
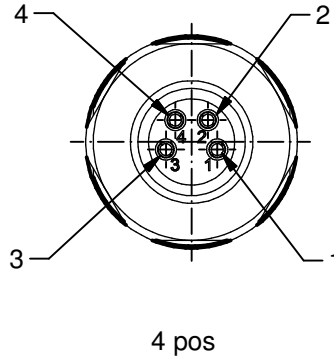
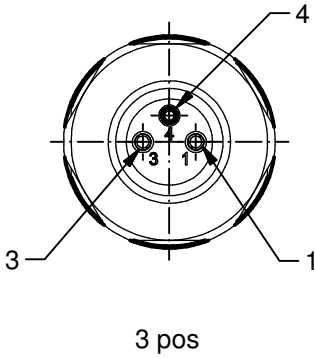
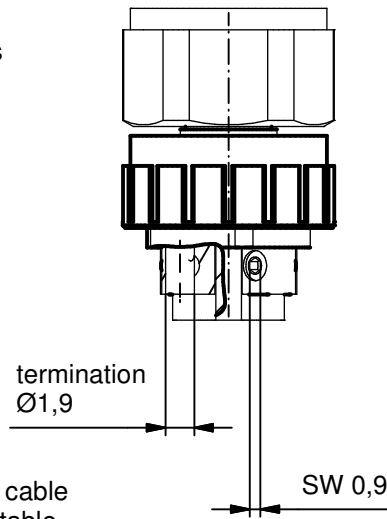


inner view  
(2:1)



**Technical specification:**

Rated voltage: IEC 61076-2-104	3pos 60 V	4pos 30 V
Current rating: IEC 61076-2-104	4 A at 40°C with 0,5mm <sup>2</sup>	
Insulation resistance: IEC 60512	>= 100 MΩ	
Pollution degree: IEC 60664-1	3/2	
Degree of protection: IEC 60529	IP 67, in mated condition	
Temperature range: IEC 60664-1	-30°C ... +85°C	
Mating cycles: IEC 60512-9a	>= 100	
Wire cross section:	AWG 20 / max. 0,5 mm <sup>2</sup>	

**Materials:**

Contact:	CuZn
Contact plating:	Au over Ni in mating area
Contact carrier:	PA6, UL 94
Cable sealing:	NBR
O-Ring:	Silicone / NBR
Coupling nut:	CuZn, Ni
Housing:	PA6 GF, UL 94

**Installation specification for locking nut  
to counter connector:**

Recommended torque:	0,4 Nm
Conec installation tool:	Torque wrench: 36-000200 Insert across flats 13: 36-000220

Part no:	Description:	Pos:	Cable-Ø:
42-00010	SAL - 8 - RKC3-S	3	4 - 5,5mm
42-00012	SAL - 8 - RKC4-S	4	4 - 5,5mm

DO NOT ALTER CAD DRAWING BY HAND Directive 2002/95/EC RoHS compliant	Index: c 18.07.13 KH Ä4842 Wire cross section adapted	dim. in mm	title: <b>Female connector M8x1, field          attachable , axial, screw termination</b>						
	tolerance of cable:	<table border="1"> <tr> <td>drawn</td> <td>26.07.11</td> <td>Strakerjahn</td> </tr> <tr> <td>appd.</td> <td>16.09.11</td> <td>Hüther</td> </tr> </table>		drawn	26.07.11	Strakerjahn	appd.	16.09.11	Hüther
	drawn	26.07.11	Strakerjahn						
	appd.	16.09.11	Hüther						
general tolerance:	<table border="1"> <tr> <td>0</td> <td>± 0,50mm</td> </tr> <tr> <td>0,0</td> <td>± 0,25mm</td> </tr> <tr> <td>0,00</td> <td>± 0,10mm</td> </tr> </table>	0	± 0,50mm	0,0	± 0,25mm	0,00	± 0,10mm		42K1A316
0	± 0,50mm								
0,0	± 0,25mm								
0,00	± 0,10mm								
<small>THIS DRAWING MAY NOT BE COPIED OR REPRODUCED IN ANY WAY, AND          MAY NOT BE PASSED ON TO A THIRD PARTY WITHOUT WRITTEN PERMISSION.          OWNERSHIP AND COPYRIGHT OF CONEC GmbH</small>	part no:	see table							

## X-ON Electronics

Largest Supplier of Electrical and Electronic Components

*Click to view similar products for [Circular MIL Spec Connector](#) category:*

*Click to view products by [CONEC](#) manufacturer:*

Other Similar products are found below :

[89075GULPR](#) [0025-262-542](#) [0025-264-3014](#) [58-570121-04S](#) [0134-213-1208](#) [0134-213-2209](#) [0025-258-000](#) [60-042022-07P](#) [60-042022-19P](#)  
[60-042022-23P](#) [60-042217-10P](#) [0114-201-1278](#) [012-0467-000](#) [602GB06EG24-61SN](#) [0134-201-1207](#) [0134-213-1006](#) [6104-207-2302](#) [6104-](#)  
[208-1902](#) [61-168211-04P](#) [61-168617-10P](#) [6131-202-19149P](#) [6131-204-21149P](#) [6131-208-13149P](#) [6131-209-17149P](#) [6131-210-11149P](#) [6131-](#)  
[211-19149P](#) [6131-216-19149P](#) [6131-259-21149P](#) [6131-259-23149P](#) [6131-265-17149P](#) [6131-265-19149P](#) [CS3100A18-1P-472](#) [CS3100A-36-](#)  
[77P](#) [CS3101A-16-55P](#) [CS3102A-10SL-55P](#) [CS3102A-14S-58P](#) [CS3102A-32-17P](#) [CS3102A32-25S](#) [CS3102C18-4P-472](#)  
[CS3106A10SL3S004](#) [CS3106A-18-73S](#) [CS3108A-14S-52S](#) [CS3108A-28-51S](#) [6162-233-1277](#) [6162-324-1231](#) [M243082296Z](#)  
[M2884010AC1S1](#) [CT0-24-10SC](#) [CT0M20-7PCAU](#) [M28840/17AC1G3](#)