

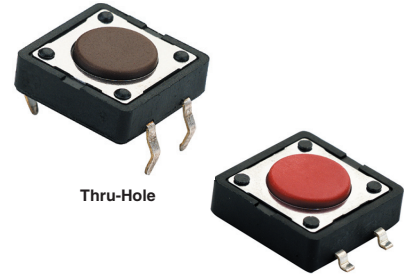
**SERIES 95C**  
12mm Square

**FEATURES**

- Excellent Tactile Feedback
- Surface Mount Versions Compatible with SMT Assembly Including Infrared and Vapor Phase
- Ultraminiature and Lightweight Structure Suitable for High Density Mounting

**APPLICATIONS**

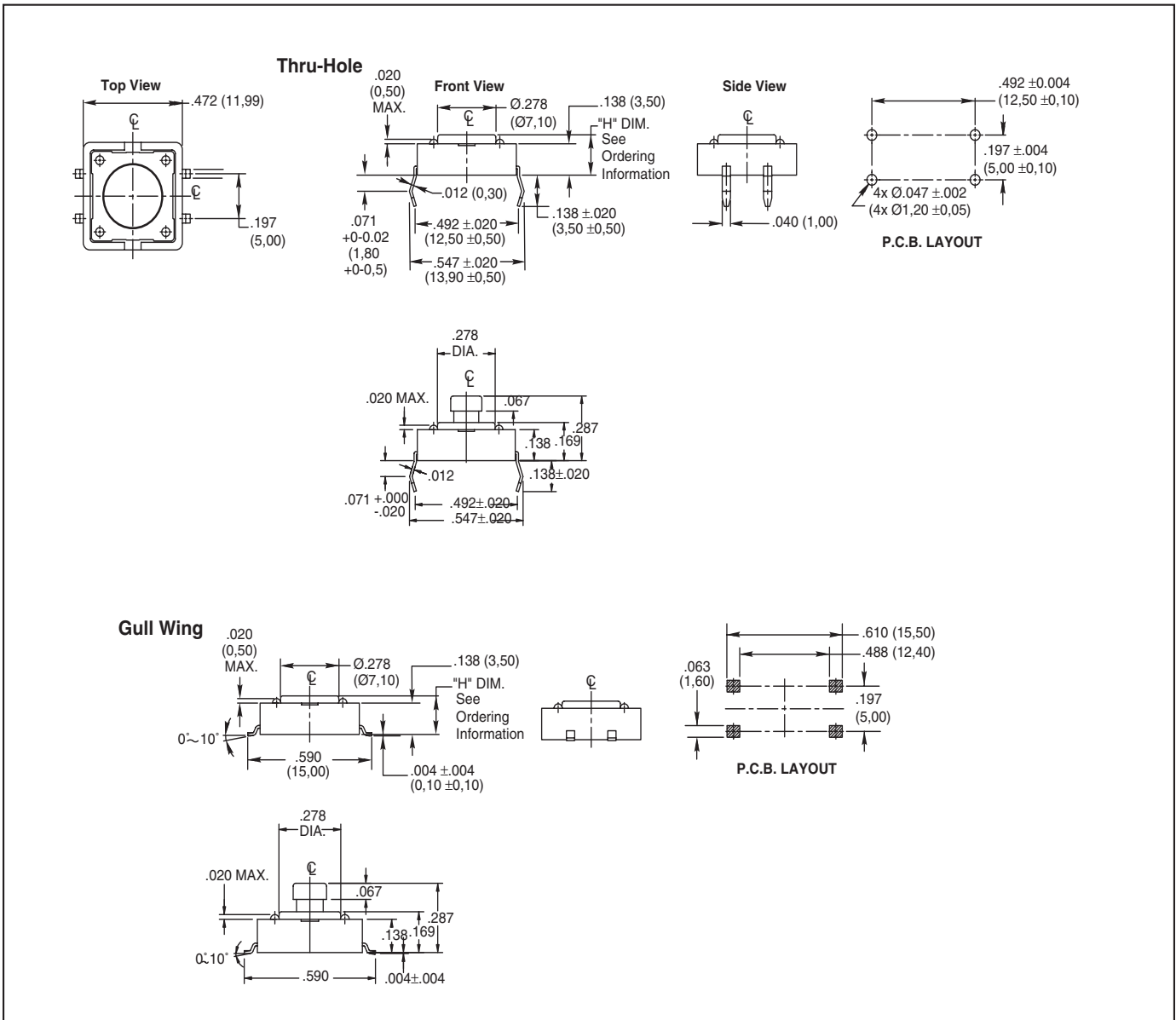
Used in applications such as consumer electronics, audio equipment, PCs, VCRs, cable boxes, modems, communications equipment, controls, security and alarm equipment, and test and measurement equipment.



Thru-Hole

Gull Wing

**DIMENSIONS** in inches (and millimeters)



Tact Switches

**SPECIFICATIONS**

**Materials**

**Base:** UL94V-0 Nylon thermoplastic  
**Cover:** Stainless steel, tin-plated  
**Actuator:** UL94V-0 Nylon thermoplastic  
**Terminal:** Brass with silver-plating  
**Contact:** Stainless steel with silver-plating  
**Cap:** Thermoplastic ABS

**Electrical**

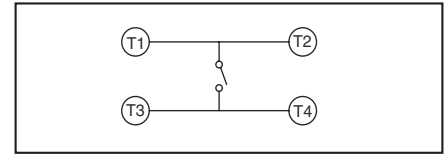
**Rating:** 50mA, 12 Vdc  
**Life:** 160g: 1,000,000 cycles/  
 260g: 500,000 cycles  
**Actuator Travel:** .014" ± .004"  
**Contact Resistance:** 100 mΩ max.

**Insulation Resistance:** 100 MΩ min. at 500Vdc  
**Dielectric Strength:** No dielectric breakdown after 250V for one minute  
**Contact Arrangement:** single pole, single throw

**Environmental**

**Operating Temp. Range:** -25 to 70°C  
**Storage Temp. Range:** -30 to 80°C  
**Mechanical Shock:** MIL-STD-202F, Method, 213B, Test Condition A. Gravity: 50G's (peak value), 11 msec. Direction and times: 6 sides and 3 times in each direction. High reliability.  
**Vibration:** MIL-STD-202F, Method 201A. Passed 6 hours (2 hours in each) of three

**CIRCUITRY**



perpendicular planes at a cycle of 10-55-10Hz/1 minute.

**Stop Strength:** Place the switch such that vertical, a static load of 3kg shall be applied in the direction of stem operation for a period of 15 seconds.

**Soldering Process**

**Hand Soldering:** Use a soldering iron of 30 watts, controlled at 350°C for 5 seconds maximum while applying solder.

**Reflow Soldering** (surface mount versions only): Peak temperature 260°C (500°F).

**Wave Soldering:** 260°C (500°F) maximum for 5 seconds subject to PCB .063 in. (1.6mm) thickness.

**Packaging**

Thru-Hole: Bulk, 500 pcs/bag.  
 Surface Mount: 40 pcs/tube, 700 pcs/reel (.169" height), 500 pcs/reel (.335" and .287" height).

**ORDERING INFORMATION**

**Series**  
**Size:** 12 = 12mm Square  
**Height ("H"):** A = .169 (4,29); B = .335 (8,51); C = Square .287 (7,29)  
**95C12A3GWRT**  
**RoHS compliant**  
**Packaging:** Blank = Tube or Bulk, R = Tape and Reel (see pkg note)  
**Terminal Style:** Blank = Thru-hole, GW = Gull Wing  
**Operating Force (Actuator Color):** 3 = 160g (Brown), 4 = 260g (Red)

Available from your local Grayhill Component Distributor.

For prices and discounts, contact a local Sales Office, an authorized local distributor, or Grayhill.

**DECORATIVE CAPS** (for use with "C" style square actuators)

12mm Square  
figure 3

12mm Round  
figure 4

PART NUMBER	SWITCH SIZE	SHAPE	COLOR	FIGURE
95CAP-100	12mm	SQUARE	YELLOW	3
95CAP-101	12mm	SQUARE	BLUE	3
95CAP-102	12mm	SQUARE	RED	3
95CAP-103	12mm	SQUARE	NATURAL	3
95CAP-104	12mm	SQUARE	BLACK	3
95CAP-105	12mm	SQUARE	GREEN	3
95CAP-106	12mm	SQUARE	ORANGE	3
95CAP-110	12mm	ROUND	YELLOW	4
95CAP-111	12mm	ROUND	BLUE	4
95CAP-112	12mm	ROUND	RED	4
95CAP-113	12mm	ROUND	NATURAL	4
95CAP-114	12mm	ROUND	BLACK	4
95CAP-115	12mm	ROUND	GREEN	4
95CAP-116	12mm	ROUND	ORANGE	4

## X-ON Electronics

Largest Supplier of Electrical and Electronic Components

*Click to view similar products for [Tactile Switches](#) category:*

*Click to view products by [Grayhill](#) manufacturer:*

Other Similar products are found below :

[KMR633NG LFG](#) [5GTH92001](#) [5GTH9202242](#) [6426-201-11343](#) [MJ1226](#) [MJTP1109B](#) [MJTP1138EAUTR](#) [MJTP1230BL](#) [MJTPSHW](#)  
[GS6.90F300QP](#) [1-1977223-0](#) [1-1977120-4](#) [ADTSA62NV](#) [ADTSA62RV](#) [ADTSA63KV](#) [ADTSA644NV](#) [ADTSM24NVTR](#) [ADTSMW66NV](#)  
[ADTSMW67RV](#) [ATM533VTR](#) [1571300-3](#) [B3F-3123](#) [B3F-6055A](#) [B3F-B32-01-KIT](#) [1977177-8](#) [1977266-1](#) [2-1977223-4](#) [2-1977223-7](#)  
[ADTS644KV](#) [ADTSA61RV](#) [ADTSA62KV](#) [ADTSA63NV](#) [ADTSA63RV](#) [ADTSA65NV](#) [ADTSM21NSVTR](#) [ADTSM25RVTR](#)  
[ADTSM31RVTR](#) [ADTSM32NVTR](#) [ADTSM61YVTR](#) [ADTSM63SVTR](#) [ADTSM644KVTR](#) [ADTSMW64RV](#) [ADTSMW69NV](#)  
[FSMRA4JHA04](#) [GS4.70F300QP](#) [D38999/20JJ37SA](#) [TL1105B](#) [TL1105J](#) [ATH447K2Q](#) [ATM534VTR](#)