



LED100

# Visual Signals - Industrial LED ECO BEACONS

## Industrial LED ECO Beacons > LED100 Series

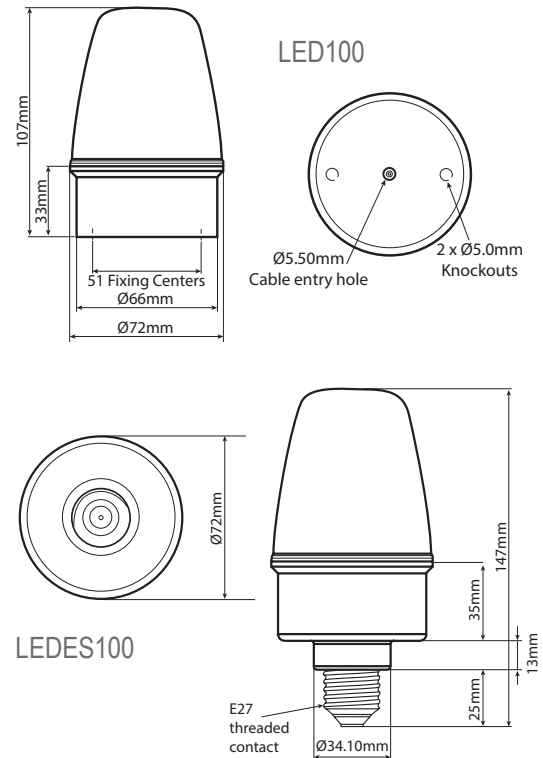
### Product overview

The LED100 economy series is suitable for light commercial & industrial signalling applications where local indication is required.

These beacons have two selectable stages of alarm, flashing or continuous (static) mode, selectable by a jumper link on the PCB. The design also allows for a third wire connection giving flexibility to switch from a pre-set static mode to flashing (Not ES Version).

The LED ECO range has been designed predominantly to offer a cost effective solution against more traditional incandescent types of lamps, whether through new plant and machinery installations or existing facility upgrades. The design allows for termination inside the enclosure through the base (Not ES Version).

The ES Version has an E27 Edison Screw Cap fitted into the base of the beacon. This design lends itself for use in temporary signalling locations where a warning or hazard is not normally present, or has the ability to be installed in an area using existing electrical lighting points, avoiding any additional wiring.



## LED100 Series > Ordering Information

Code No:	Voltage:	Light Source:	Current:
LED100-01	10-17v Ac/Dc ~	8 SMT LEDs	430mA •
LED100-02	20-30v Ac/Dc ~	8 SMT LEDs	110mA •
LED100-03	35-85v Ac ~	8 SMT LEDs	76mA •
LED100-05	85-380v Dc --- 85-280v Ac ~	8 SMT LEDs	35mA •
<b>ES Version</b>			
LEDES100-05	85-380v Dc --- 85-280v Ac ~	8 SMT LEDs	35mA •
• at 12v Dc	• at 24v Dc	• at 48v Dc	• at 230v Ac

ADD THE FOLLOWING LENS CODES TO THE PRODUCT WHEN ORDERING

01 02 04

### Features

- Continuously rated
- LED long life
- Low current consumption
- Suitable for surface, conduit box or wall mounting
- Optional wall bracket & guard available (except ES version) - see accessories
- 2 point fix
- 360° light output around the vertical axis
- Dustproof and Weatherproof

### Material

UV Stable Polycarbonate Lens  
UV Stable ABS Plastic Base

Kg 0.11 LED100  
0.145 LEDES100

50/60 Hz

°C -25+55

IP 65

FPM 160

INDUSTRIAL

APPROVALS and  
CONFORMITIES



## X-ON Electronics

Largest Supplier of Electrical and Electronic Components

*Click to view similar products for [Audio Indicators & Alerts](#) category:*

*Click to view products by [Moflash Signalling](#) manufacturer:*

Other Similar products are found below :

[M2BJ-BH24E](#) [6-4](#) [68S1240-PA](#) [MBA-624](#) [F/BC 40P-DR LF](#) [FDG111PLF](#) [F/NRMB 24 BLACK LF](#) [PF-35N29WQ](#) [PFD-27A35PQ](#) [PL-27A35PSQ](#) [PS-531Q](#) [AB2020B-2-LW1](#) [EBPT-401](#) [PB06SD12AP](#) [PB-1220PEQ](#) [S6109](#) [SC2036ACP](#) [SC616N-2](#) [SC628FW](#) [SC628MPG](#) [SC648D](#) [SCS045MD9DT3S](#) [AB2025B-LW50-R](#) [ESZ-25B-5-250B](#) [F/BC 35-DR LF](#) [FCM12PLF](#) [F/EB20P-DR LF](#) [F/HU110MP24V-IP67B LF](#) [AI-2835-TF-LW150-2-R](#) [AI-4228-TF-LW305-R](#) [FSMD8585JSLF](#) [FSS-26T](#) [F/SU 21-02 LF](#) [F/TCW 05 WITH LABEL LF](#) [F/UCW 03 WITH LABEL LF](#) [F/UCW 06 WITH LABEL LF](#) [PKM22EPPH40S1-B0](#) [PKM35-4A0](#) [PL-35N29WQ](#) [PLD-27A35PQ](#) [PS-552Q](#) [CM-5](#) [M2BJ-BH24E-D](#) [REF-202](#) [LSC628ANR](#) [5-100](#) [PAL-328](#) [03-810.001](#) [RTO-1R07-001](#) [PL-21N31PQ](#) [PF-27A25PSQ](#)