

# Visual Signals LIGHT EMITTING DIODE BEACONS



## Industrial LED Dual Function > LED80 Series

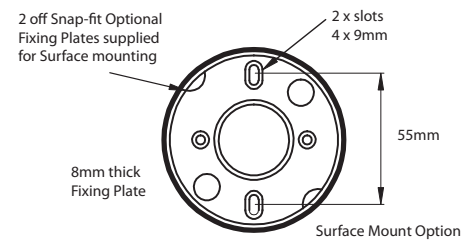
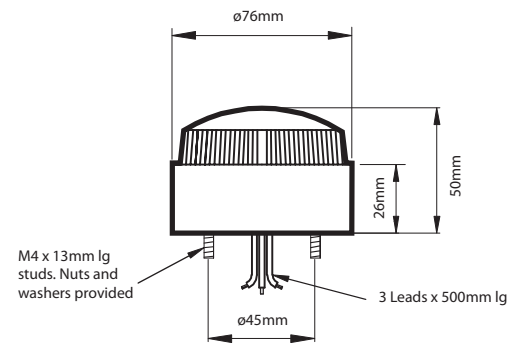
### Product overview

The LED80 incorporates 12 ultra bright Surface Mount LEDs offering an economic solution for a wide range of general signalling solutions.

Ideally suited for local indication the beacon is controlled by either two wires (flashing mode) or three (static mode).

The beacons are supplied fully assembled and ready for immediate installation.

The unit offers two mounting options, either Stud Mount or Surface Mounting using the two piece fixing plate supplied. One plate is fixed to the appropriate surface the other to the beacon, the two plates then 'Snap Fit' together.



## LED80 Series > Ordering Information

Code No:	Voltage:	Light Source:	Current:	
LED80-02	10-100v Dc ---	LED Array	90 mA 200 mA	Flashing Static at 24v Dc ---
LED80-04	115/230v Ac ~	LED Array	20 mA	

ADD THE FOLLOWING LENS CODES TO THE PRODUCT WHEN ORDERING



### Features

- LED long life
- Extra bright
- Continuously rated
- Wide operating voltage
- 120° prime light output from vertical axis
- Dustproof & submersible in water

### Material

UV Stable Polycarbonate  
Lens and Body

**Kg** 0.14

**°C** -20+55

**IP** 67

**FPM** 60

**INDUSTRIAL**

**FIRE**

APPROVALS and  
CONFORMITIES



**MARINE**

## X-ON Electronics

Largest Supplier of Electrical and Electronic Components

*Click to view similar products for [Audio Indicators & Alerts](#) category:*

*Click to view products by [Moflash Signalling](#) manufacturer:*

Other Similar products are found below :

[M2BJ-BH24E](#) [6-4](#) [68S1240-PA](#) [MBA-624](#) [F/BC 40P-DR LF](#) [FDG111PLF](#) [F/NRMB 24 BLACK LF](#) [PF-35N29WQ](#) [PFD-27A35PQ](#) [PL-27A35PSQ](#) [PS-531Q](#) [AB2020B-2-LW1](#) [EBPT-401](#) [PB06SD12AP](#) [PB-1220PEQ](#) [S6109](#) [SC2036ACP](#) [SC616N-2](#) [SC628FW](#) [SC628MPG](#) [SC648D](#) [SCS045MD9DT3S](#) [AB2025B-LW50-R](#) [ESZ-25B-5-250B](#) [F/BC 35-DR LF](#) [FCM12PLF](#) [F/EB20P-DR LF](#) [F/HU110MP24V-IP67B LF](#) [AI-2835-TF-LW150-2-R](#) [AI-4228-TF-LW305-R](#) [FSMD8585JSLF](#) [FSS-26T](#) [F/SU 21-02 LF](#) [F/TCW 05 WITH LABEL LF](#) [F/UCW 03 WITH LABEL LF](#) [F/UCW 06 WITH LABEL LF](#) [PKM22EPPH40S1-B0](#) [PKM35-4A0](#) [PL-35N29WQ](#) [PLD-27A35PQ](#) [PS-552Q](#) [CM-5](#) [M2BJ-BH24E-D](#) [REF-202](#) [LSC628ANR](#) [5-100](#) [PAL-328](#) [03-810.001](#) [RTO-1R07-001](#) [PL-21N31PQ](#) [PF-27A25PSQ](#)