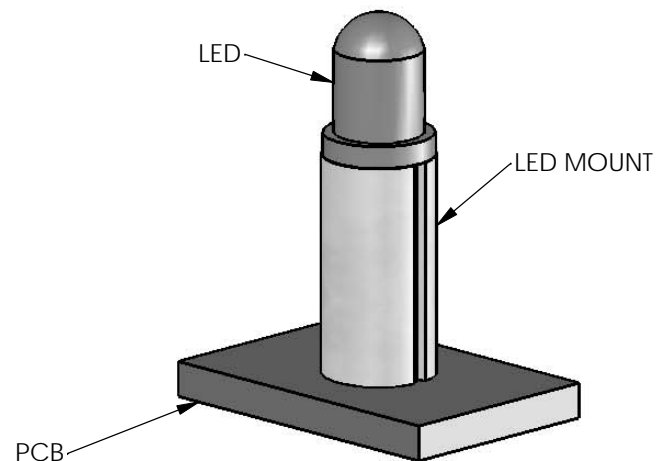
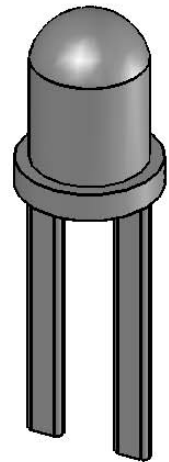
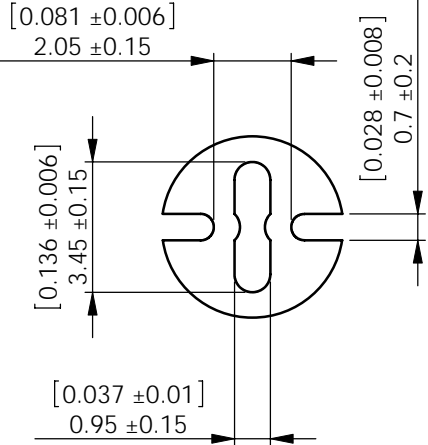
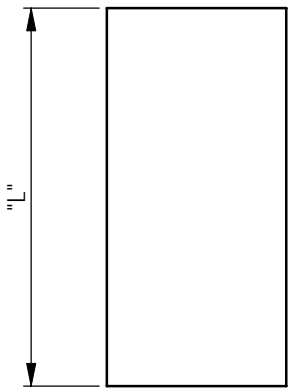
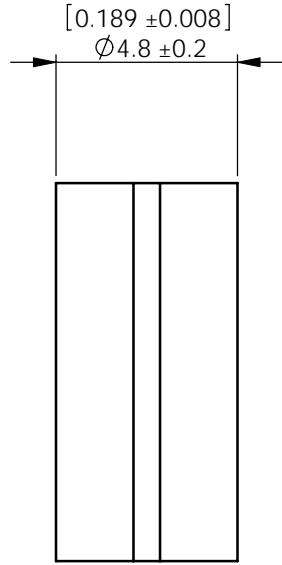


AVAILABLE BY SPECIAL ORDER NAFTA REGION ONLY

| REV. | MODIFICATION. | DATE | DRN |
|------|---------------|----------|-----|
| 01 | NEW DWG | 25/05/01 | JPM |
| 02 | SCN04-093 | 23/09/04 | OW |
| 03 | SCN04-096 | 01/10/04 | OW |
| 04 | SCN04-100 | 14/10/04 | OW |
| 05 | ECN05-021 | 26/01/05 | OW |
| 06 | ECN07-136 | 20/08/06 | SF |
| 07 | CO-2010556 | 10/02/09 | OW |
| 08 | CO-2010858 | 01/12/09 | MT |



TYPICAL APPLICATION VIEW

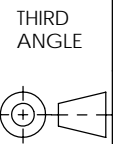


ALTERNATE UNITS FOR REFERENCE ONLY

INFORMATION CONTAINED IN THIS DOCUMENT IS CONFIDENTIAL TO RICHCO INTERNATIONAL Co. Ltd. AND MAY NOT BE DISCLOSED OR REPRODUCED IN WHOLE OR PART WITHOUT THEIR WRITTEN CONSENT.

RICHCO, INC.
WWW.RICHCO-INC.COM

ALL DIMENSIONS IN mm
GENERAL TOLERANCES ±0.25
UNLESS OTHERWISE STATED
1 DECIMAL PLACE ±
2 DECIMAL PLACES ±
ANGULAR ±1°



- NOTES:
1) FOR USE WITH 3mm, T-1 LEDS.
2) PARTS AVAILABLE IN 1mm INCREMENTS
3) SPECIAL LENGTHS AVAILABLE BY SPECIAL ORDER

| | | | |
|-------------------------------------|------------------|-----------------------|------------------|
| MATERIAL: PVC UL94 V-0 (RMS-388) | | COLOUR: BLACK | |
| DESCRIPTION: LED MOUNTS | | PART No: LEDM-2-XX | |
| DRG No: 786-9021 | | NPR No: | |
| DRN OW | DATE 14/10/04 | CHKD NJB | DATE 14/10/04 |
| SCALE NTS | | SHEET No. 1 OF 1 | |

| PART No. | LENGTH |
|-----------------------|--------------|
| LEDM-2-02 - LEDM-2-30 | 2.0mm - 30mm |

X-ON Electronics

Largest Supplier of Electrical and Electronic Components

Click to view similar products for [LED Mounting Hardware](#) category:

Click to view products by [Richco](#) manufacturer:

Other Similar products are found below :

[00624500](#) [00624250](#) [00624375](#) [00624750](#) [7047](#) [990-4901-010](#) [990-8115-001](#) [SPC040](#) [CMP22](#) [CNX_440_X02_4_1_06](#)
[CNX_460_E02_4_1_12](#) [CNX440-X02-4-2-24](#) [M16-T1](#) [L2K-L4GD](#) [L2K-L5XL](#) [LDN51-125SL/BT](#) [RNG-190](#) [515-0005F](#) [CM00624625](#)
[CNX440E034612](#) [CNX_460_E02_4_1_04](#) [FS108NA](#) [7046](#) [7056](#) [S202-K2](#) [T50RS5.NB3P](#) [KT4TN](#) [SN3486](#) [M16-T2-S](#) [RTN_441](#) [ELM 2-](#)
[1.5MM](#) [LEDM-2-11](#) [ELM 3-1.500](#) [CM00624375](#) [CM00624375](#) [CM00624900](#) [CNX410-056-X-4-2-24](#) [HLMP-0103](#) [RNG234](#) [FIX-LEDH-](#)
[10.5](#) [FIX-LEDH-11](#) [FIX-LEDH-11.5](#) [FIX-LEDH-12](#) [FIX-LEDH-14](#) [FIX-LEDH-18](#) [FIX-LEDH-4](#) [FIX-LEDH-4.5](#) [FIX-LEDH-7.5](#) [FIX-](#)
[LEDT-11](#) [FIX-LEDT-20](#)