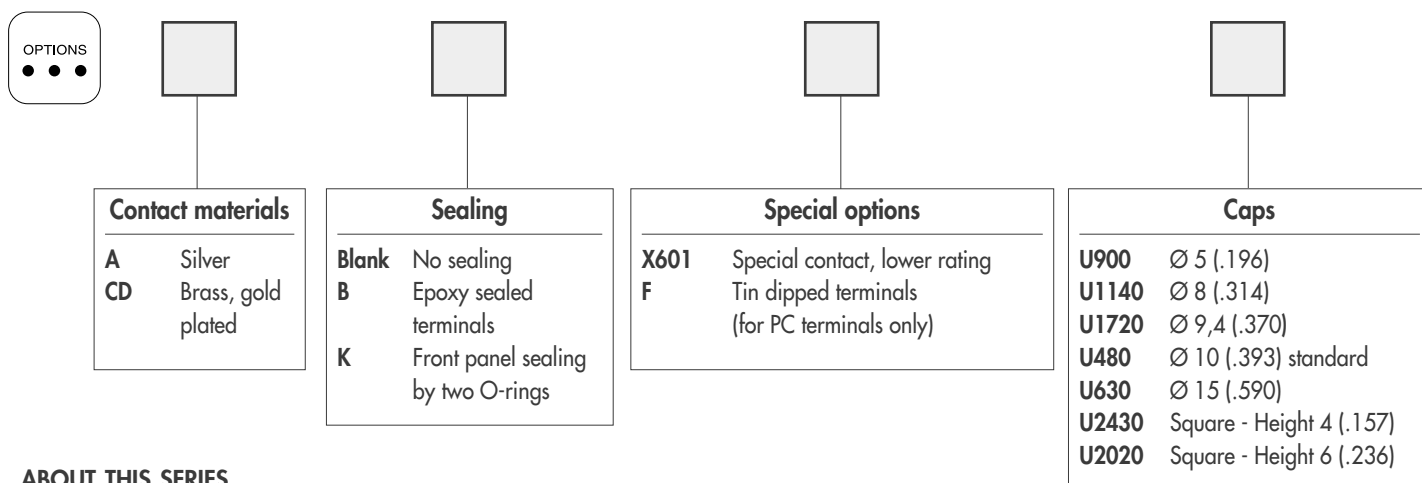
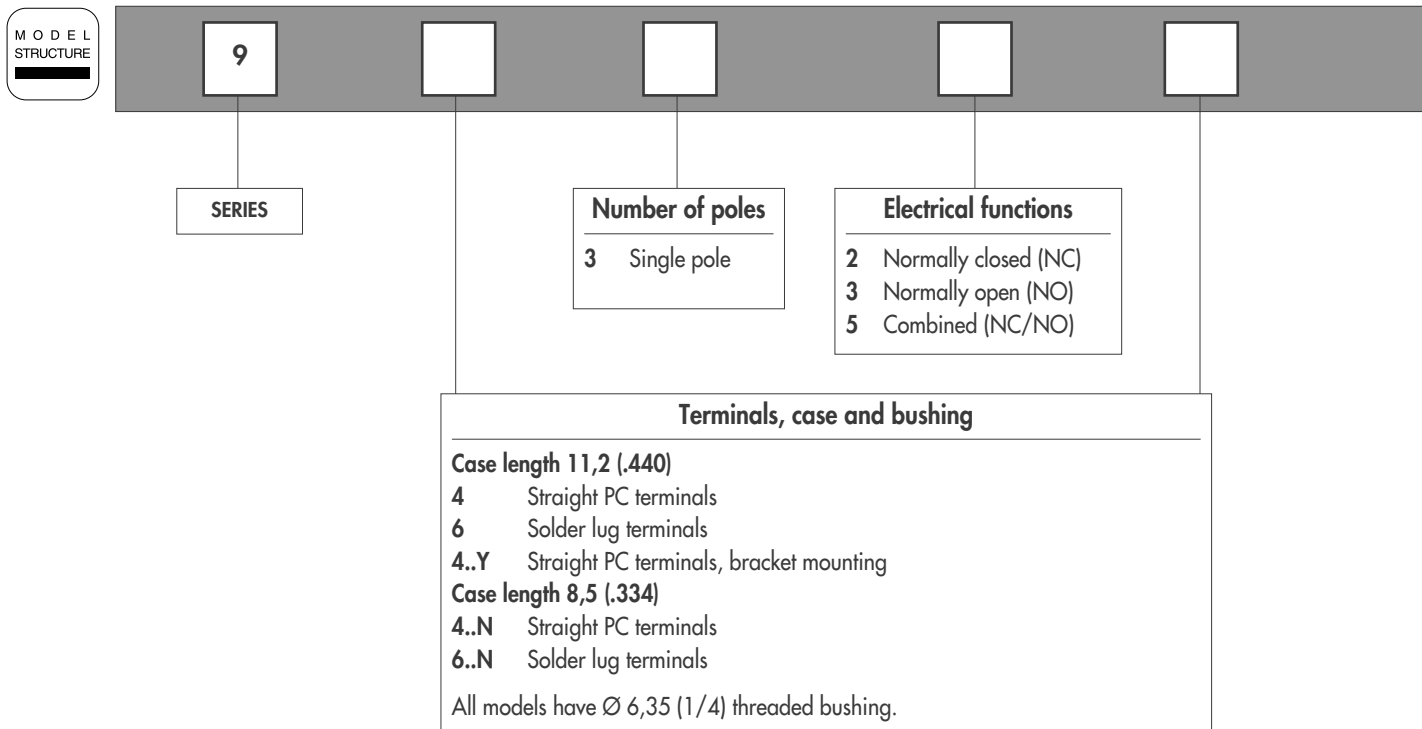


# 9000 SERIES

## MOMENTARY PUSHBUTTON SWITCHES

### Overview



#### ABOUT THIS SERIES

On the following pages, you will find successively :

- specifications
- model structure of switches
- their options in the same order as in above chart

**Dimensions** : first dimensions are in mm while inches are shown as bracketted numbers.



**NOTICE** : please note that not all combinations of above numbers are available. Refer to the following pages for further information.



**Sealing boots** are available to protect the switches against dust and water. They are presented in section N.



**Mounting accessories** : standard hardware supplied with all switches : 2 hex nuts 8 mm (.314) across flats and 1 lockwasher. Standard and special hardware available are presented in section N.



**Packaging unit** : 50 pieces, except for 9400Y (25 pieces)

# 9000 SERIES

## MOMENTARY PUSHBUTTON SWITCHES

### Specifications

#### ELECTRICAL SPECIFICATIONS

- Max. current/voltage rating with resistive load :
  - silver contact (A) : 0,3A 250VAC - 0,6A 125VAC - 1A 30VDC
  - gold plated contacts (CD) : 100mA 30VDC
- Initial contact resistance : 50 mΩ max.
- Insulation resistance : 1.000 MΩ min. at 500VDC
- Dielectric strength :
  - 1.000 Vrms 50 Hz min. between terminals
  - 1.500 Vrms 50 Hz min. between terminals and frame
- Electrical life : 250.000 cycles

#### MATERIALS

- Case : thermoplastique UL 94-V0
- Actuator : polyamide, glass filled
- Bushing : brass, nickel plated
- Contacts :
  - A** : silver
  - CD** : brass, gold plated
- Terminal seal : epoxy

#### GENERAL SPECIFICATIONS

- Total travel :

<b>9600-9400-9400Y</b>		<b>9600N-9400N</b>
Functions 3 and 5	Function 2	Function 3
1,3 mm	2 mm	0,9 mm

- Torque : 1,25 Nm (.922 Ft.lb) max. applied to nut
- Operating temperature : -30°C to +65°C

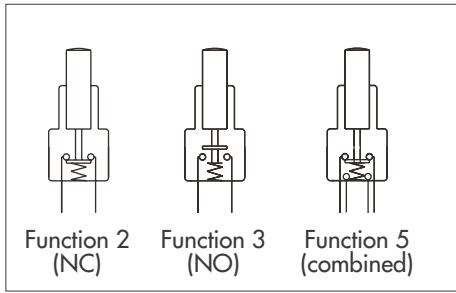
D

# 9000 SERIES

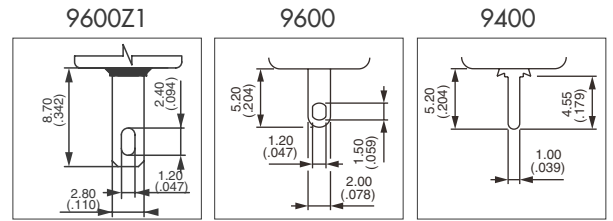
## MOMENTARY PUSHBUTTON SWITCHES

### Threaded bushing $\varnothing 6,35$ (1/4)

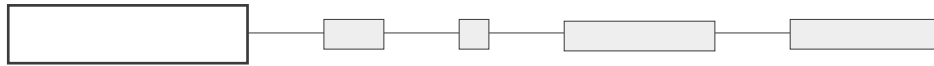
MODEL  
STRUCTURE



- Single pole
- Solder lug or straight PC terminals



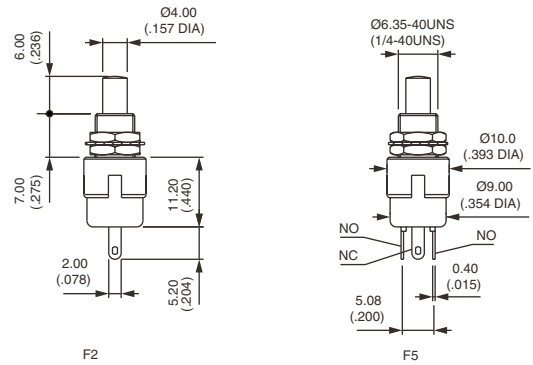
MODEL  
STRUCTURE



### Solder lug terminals - case length 11,2 (.440) : 9600



9632		Normally Closed
9635		Combined function

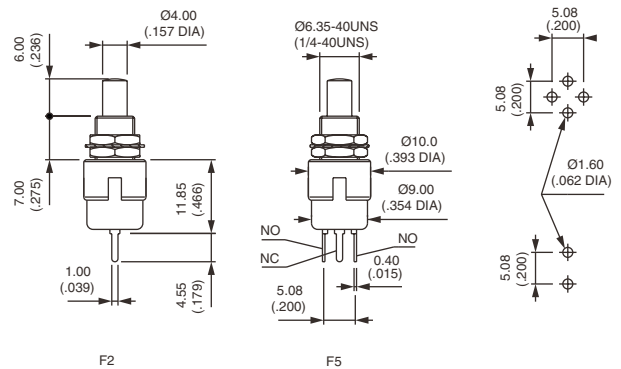


For Normally Open (function 3), see next page  
Also available with quick-connect terminals : 9632Z1 or 9635Z1

### Straight PC terminals - case length 11,2 (.440) : 9400



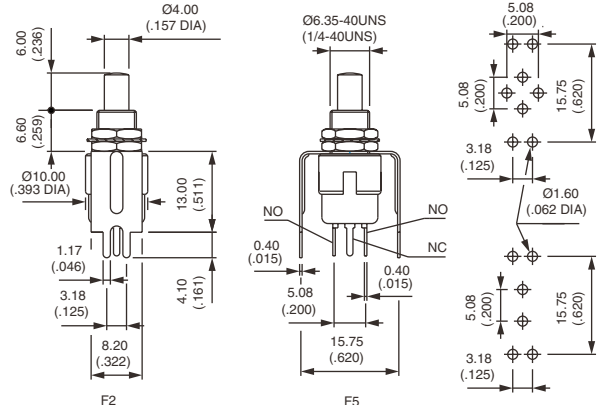
9432		Normally Closed
9433		Normally Open
9435		Combined function



### Bracket mounting - case length 11,2 (.440) : 9400Y



9432Y		Normally Closed
9433Y		Normally Open
9435Y		Combined function



The bracket is not fastened to the switch.

# 9000 SERIES

## MOMENTARY PUSHBUTTON SWITCHES

### Threaded bushing $\text{\O} 6,35$ (1/4)

M O D E L  
STRUCTURE

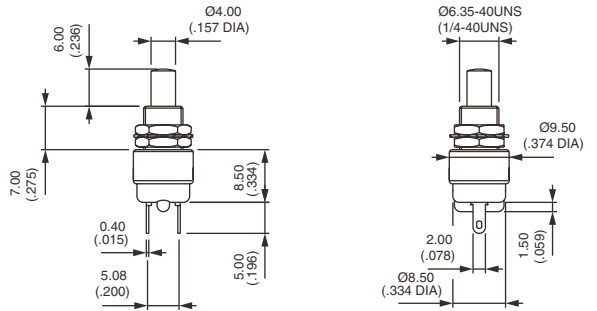
#### Solder lug terminals - case length 8,5 (.334) : 9600N



9633N



Normally Open



Also available with quick-connect terminals 2,8 x 0,5 mm : 9633NZ1

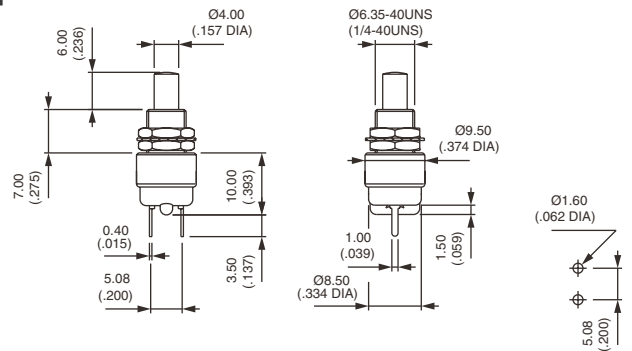
#### Straight PC terminals - case length 8,5 (.334) : 9400N



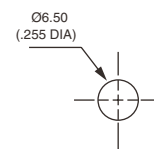
9433N



Normally Open



#### PANEL CUT-OUT



#### Bushing $\text{\O} 16$ (.630) - metal button : 9633•X1146



Silver contacts  
9633AX1146

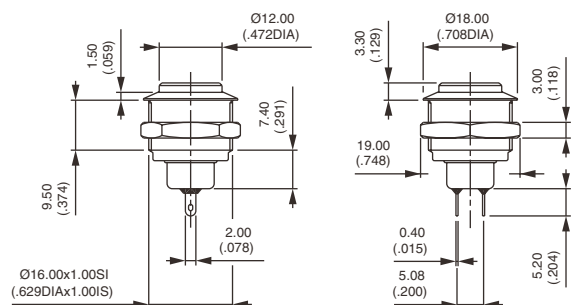


Normally open

Gold plated silver contacts  
9633ADX1146



Normally open



Hex nut 19 (.748) across flats

Panel cut-out :  $\text{\O} 16,2$  (.637)

Max. current/voltage rating. : 0,3A 250VAC - 1A 30VDC

Epoxy sealed terminals. Options of the following pages not applicable.

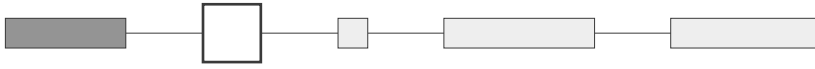
# 9000 SERIES

## MOMENTARY PUSHBUTTON SWITCHES

OPTIONS



### CONTACT MATERIALS



- A** Silver  
**CD** Brass, gold plated

Special contact, lower rating : see X601 under "Special options".

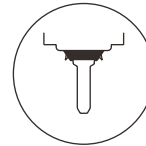
D

### SEALING



**Blank** No sealing

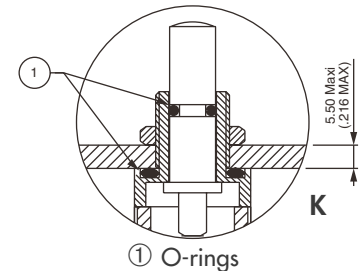
**B** Epoxy sealed terminals



**K** Front panel sealing by two O-rings. Protects the switch against water and dust. Panel seal withstands 0,1 bar pressure and remains tight even when switch is operated.

**KB** Combined sealings

Sealing boots : see section N.



① O-rings

### SPECIAL OPTIONS



**X601** **Silver plated brass contacts**  
 Current/voltage rating for an electrical life of 20.000 cycles :  
 0,2A 250VAC - 0,4A 125VAC - 0,5A 30VDC.  
 Minimum quantity : 5.000 pieces per model and shipment.

**F** **Tin dipped terminals**  
 For PC terminal models with gold plated contacts only.  
 Order with option B (epoxy sealing).

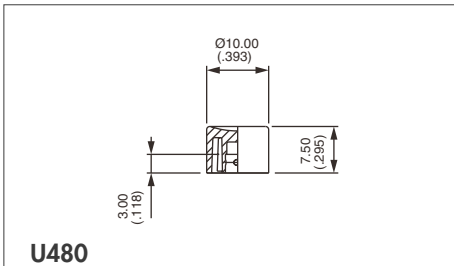
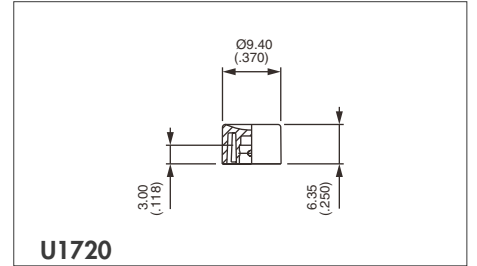
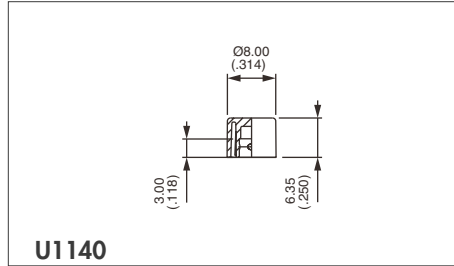
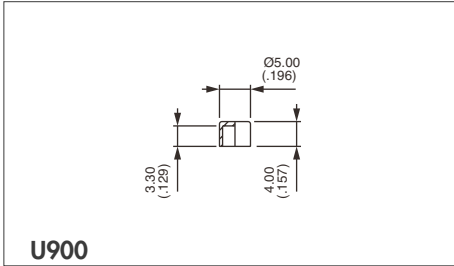
# 9000 SERIES

## MOMENTARY PUSHBUTTON SWITCHES

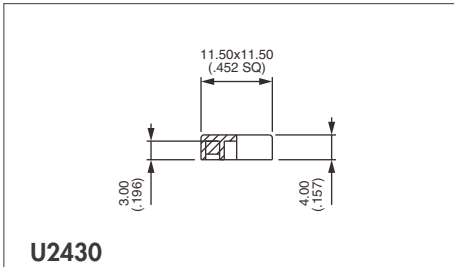
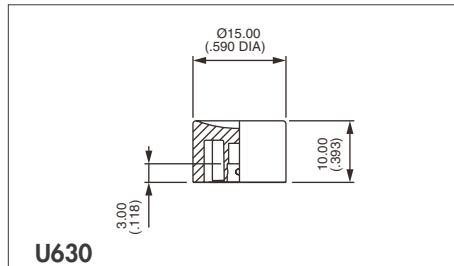
OPTIONS



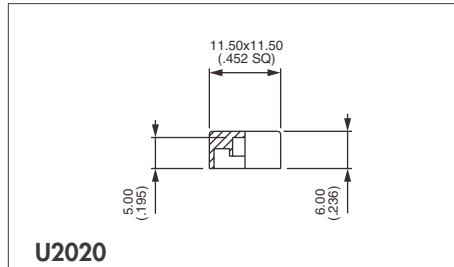
### CAPS



Standard



Square

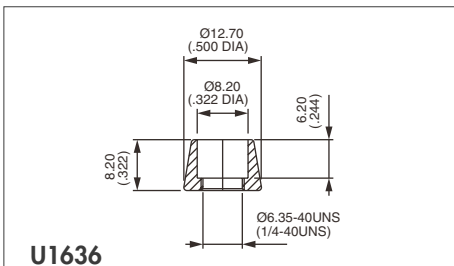


Square

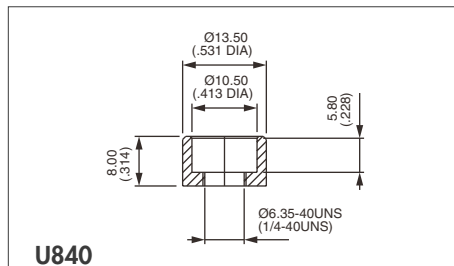
Cap colours	
Replace last "0" by number	
1	blue
2	black
3	green
4	grey
5	yellow
6	red
7	ivory
7/1	white
9	orange

### DRESS NUTS

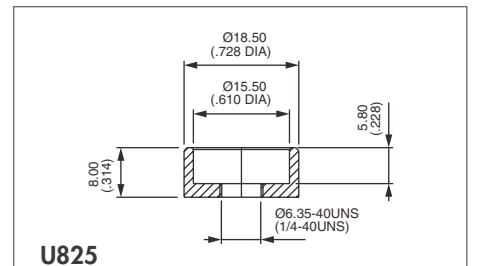
Chrome plated



For cap U1140



For cap U480



For cap U630

Dress nuts are to be ordered separately.

# 9000 SERIES

## ALTERNATE ACTION OR MOMENTARY PUSHBUTTON SWITCHES

### Specifications

#### ELECTRICAL SPECIFICATIONS

- Max. current/voltage rating with resistive load and electrical life :
  - silver contacts (A) : 0,5A 250VAC - 1A 28VDC - 250.000 cycles
  - 1,5A 250VAC - 3A 28VDC - 10.000 cycles
  - gold plated contacts (CD) : 0,4VA 20V max. AC or DC
- Initial contact resistance : 10 mΩ max. at 0,1A 3VDC
- Insulation resistance : 10.000 MΩ min.
- Dielectric strength :
  - 1.000 Vrms 50 Hz min.

#### MATERIALS

- Case : diallylphthalate
- Actuator : nylon  
black for series 9630M  
white for series 9631
- Bushing : brass, nickel plated
- Contacts :
  - A** : silver
  - CD** : brass, gold plated
- Terminal seal : epoxy

#### GENERAL SPECIFICATIONS

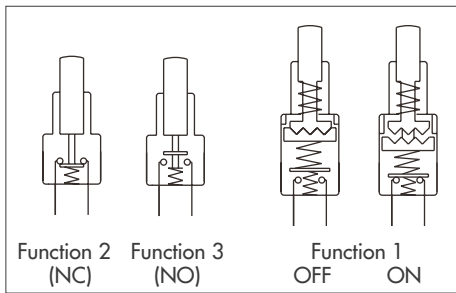
- Operating temperature : -30°C to +85°C
- Travels : see table below.

MODELS	<b>9631</b>	<b>9633M</b>	<b>9632M</b>
Total travel	3,48 (.137)	2,79 (.110)	1,40 (.055)
Pre-travel	0,66 (.026)	-	0,51 (.020)
Over travel	2,69 (.106)	0,51 (.020)	-

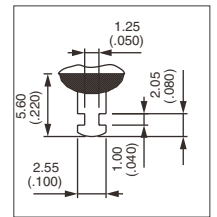
# 9000 SERIES

## ALTERNATE ACTION OR MOMENTARY PUSHBUTTON SWITCHES

### Threaded bushing



- Single pole
- Solder lug terminals
- Epoxy sealed terminals

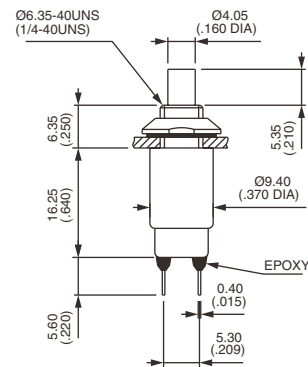


### Alternate action - tactile feedback



Gold plated contacts  
**9631CDB**      ON - OFF

Silver contacts  
**9631AB**      ON - OFF



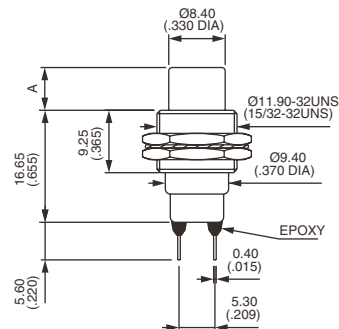
Standard hardware : 1 conic nut and 1 lockwasher

### Bushing Ø 11,9 (15/32) - front or rear mounting - NO or NC



**9633MCDB**       Normally open

**9632MCDB**       Normally closed



MODEL	A
9633M	6.35 (.250)
9632M	5.70 (.225)

Standard hardware : 2 hex nuts 14 mm (.551) across flats and 1 lockwasher

Caps available on request.



## X-ON Electronics

Largest Supplier of Electrical and Electronic Components

*Click to view similar products for [Pushbutton Switches](#) category:*

*Click to view products by [Apem](#) manufacturer:*

Other Similar products are found below :

[LW1L-M1C10V-A](#) [LW2L-A1C20M-GD](#) [LW2L-M1C20M-A](#) [60324L](#) [M7E-HRN2](#) [67021K512](#) [67081K512X](#) [701PB580](#) [719-5504-000](#)  
[MDPSSGLFS](#) [810KSV30B](#) [MML21KA3ABK](#) [MML23KA3AC05K-001](#) [MML23KW3AA01W](#) [8418K2](#) [8646AB6X718UL](#) [8646ABUL](#)  
[FSDWH](#) [9001KXRK](#) [9001T8BK](#) [9533CD4+U574+U4922](#) [1203MRA](#) [A22EM01S](#) [A595](#) [1202A6](#) [12037A2ULCSA](#) [1203A2UL](#) [ABD122N-](#)  
[B](#) [1211390004](#) [ABN111-Y](#) [ABN400-R](#) [1211500044](#) [1211580012](#) [1212MRA](#) [1232A6NF](#) [RA3CSH6A](#) [1241.1183.7047](#) [1241.2511](#)  
[1241.3428](#) [1223A2ULCSA](#) [1223MRA](#) [1232AX2119](#) [1241.1183.8000](#) [1241.1183.8029](#) [1241.2506](#) [1241.2606](#) [12MA6](#) [1301940184](#)  
[RELBARF6X10\(PLASTIC\)](#) [13435AG](#)