

THIS DRAWING IS UNPUBLISHED.

RELEASED FOR PUBLICATION

20

© COPYRIGHT 20 BY -

ALL RIGHTS RESERVED.

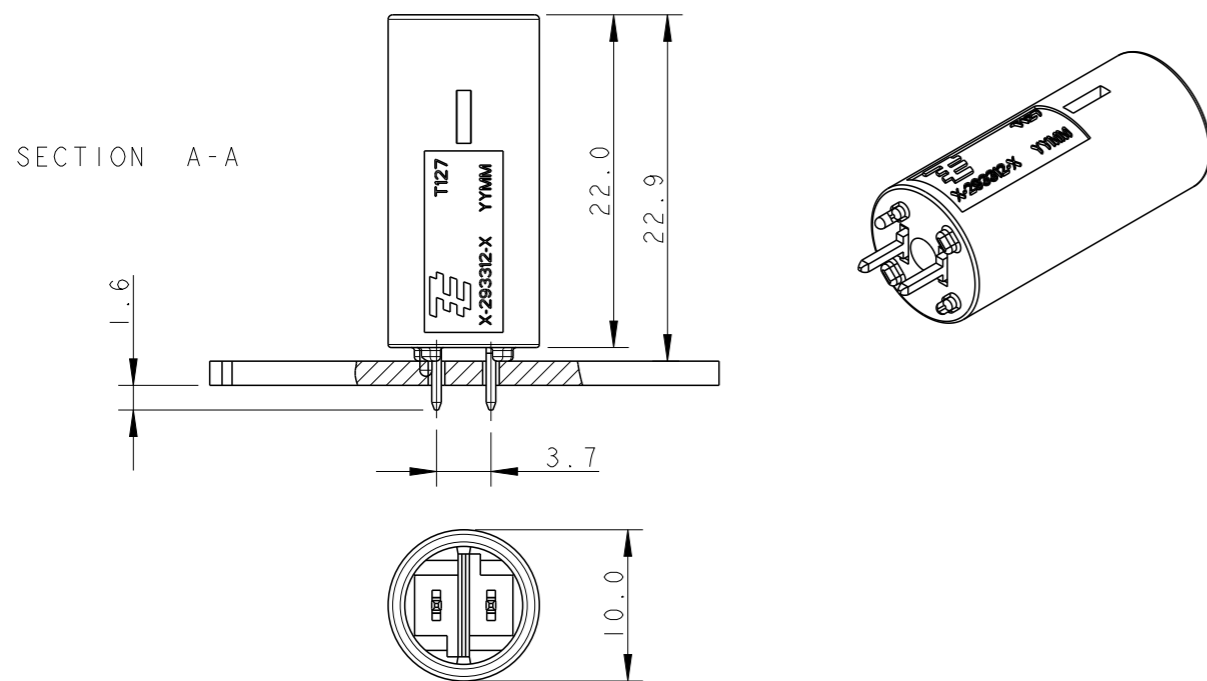
LOC
AL

DIST
2

REVISIONS

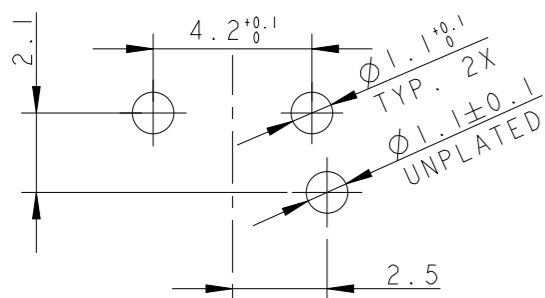
P	LTR	DESCRIPTION	DATE	DWN	APVD
	F1	UPDATED PCB LAYOUT	05DEB2009	AV	GT
	G	UPDATED HV-4 POLARIZATION KEY	21AUG2009	AV	GT
	G1	ADDED COMPONENT PART NUMBERS	10NOV2009	AV	GT
	G2	REVISED PER ECR-13-009678	18SEP2013	RS	DD

TYPICAL APPLICATION



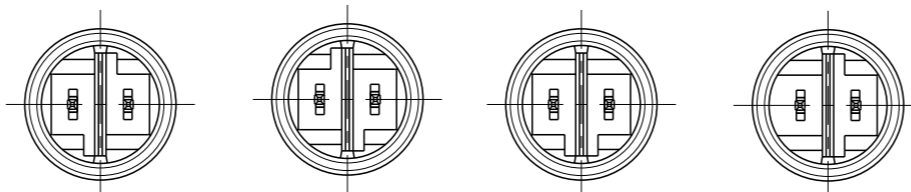
PRINTED CIRCUIT BOARD LAYOUT FOR LOW VOLTAGE VERSION

TOLERANCES UNLESS OTHERWISE SPECIFIED ± 0.05
PRINTED CIRCUIT BOARD THICKNESS: 1.6 mm NOMINAL



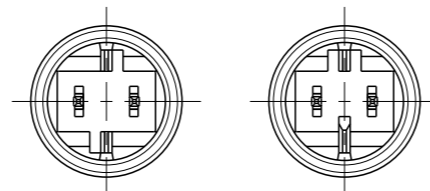
HIGH VOLTAGE

KEYING HV-1 KEYING HV-2 KEYING HV-3 KEYING HV-4



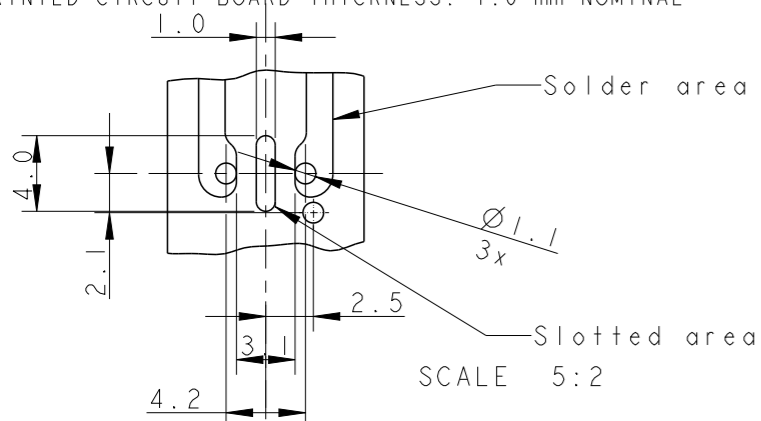
LOW VOLTAGE

KEYING LV-1 KEYING LV-2



PRINTED CIRCUIT BOARD LAYOUT FOR HIGH VOLTAGE VERSION

TOLERANCES UNLESS OTHERWISE SPECIFIED ± 0.05
PRINTED CIRCUIT BOARD THICKNESS: 1.6 mm NOMINAL



KEYING	REMARKS	PART NUMBER	CTC. FINISH SURFACE	COLOR
HV-4	HIGH-VOLT 250 V AC	1-293313-2	GOLD	BLACK
HV-4	HIGH-VOLT 250 V AC	1-293313-1	GOLD	WHITE
HV-1	HIGH-VOLT 250 V AC	1-293313-0	GOLD	BLACK
HV-1	HIGH-VOLT 250 V AC	293313-9	GOLD	WHITE
HV-2	SWITCH-KEYING	293313-8	TIN	RED
HV-4	HIGH-VOLT 250 V AC	293313-7	TIN	BLACK
HV-4	HIGH-VOLT 250 V AC	293313-6	TIN	WHITE
LV-2	LOW-VOLT 42 V DC	293313-5	TIN	YELLOW
LV-1	LOW-VOLT 42 V AC	293313-4	TIN	LIGHT GREY
HV-3	HIGH-VOLT 125 V AC	293313-3	TIN	BLUE
HV-1	HIGH-VOLT 250 V AC	293313-2	TIN	BLACK
HV-1	HIGH-VOLT 250 V AC	293313-1	TIN	WHITE

THIS DRAWING IS A CONTROLLED DOCUMENT.

DIMENSIONS:	TOLERANCES UNLESS OTHERWISE SPECIFIED:
mm	
0 PLC	±
1 PLC	±0.3
2 PLC	±0.1
3 PLC	±
4 PLC	±
ANGLES	±0.5°
MATERIAL	FINISH

DWN	R. FRABONI	21 JUN 2007
CHK	J. SALO	11 FEB 2008
APVD	L. BAILO	11 FEB 2008
PRODUCT SPEC	108-94018	
APPLICATION SPEC	114-32102	
WEIGHT	-	
Customer Drawing		



NAME				7.5 mm PCB CONNECTOR ASSEMBLY STRAIGHT MALE VERSION	
SIZE	CAGE CODE	DRAWING NO	RESTRICTED TO		
A3	00779	C-293313	-		
SCALE		SHEET	OF	REV	
5:1		1	1	G2	

X-ON Electronics

Largest Supplier of Electrical and Electronic Components

Click to view similar products for [Mounting Fixings](#) category:

Click to view products by [TE Connectivity](#) manufacturer:

Other Similar products are found below :

[007310](#) [007541](#) [6-141-P](#) [620HA038NF09](#) [620HA038NF11](#) [71-074914-006](#) [71-146610-6H](#) [712HA170B23128-N](#) [71-441549-19S](#) [71-490451-4H](#) [75-69211-3P](#) [75-69220-27S](#) [75-69224-5S](#) [770-006A109](#) [770-006A109R](#) [770-006A207](#) [770-006A208W1](#) [770-006A209](#) [770-006A306](#) [770-006A703W1](#) [770-006A704](#) [770-006A704W1](#) [770-006A705](#) [770-006A706](#) [770-006A706W1](#) [770-006A707](#) [770-006A709](#) [770-007A203](#) [770-007A203W1](#) [770-007A204W1](#) [770-007A207W1](#) [770-007A703](#) [770-007A704W1](#) [770-007A706](#) [770-007A707W1](#) [770-010Y208](#) [770-010Y308](#) [770-010Y705](#) [770-010Y706](#) [770-010Y707W1](#) [770-011T201](#) [770-011T203](#) [770-011T701W1](#) [770-011T702](#) [770-011T702W1](#) [770-011T703](#) [770-013210W1](#) [770-013311](#) [770-013312](#) [770-013709](#)