

4

3

2

1

THIS DRAWING IS UNPUBLISHED.

RELEASED FOR PUBLICATION

2011

LOC

DIST

REVISIONS

© COPYRIGHT 2011

ALL RIGHTS RESERVED.

P	LTR	DESCRIPTION	DATE	DWN	APVD
	3	UPDATED	20MAY2011	AB	GT
	4	REVISED	02MAY2013	KR	JC
	5	UPDATED	18JUL2013	MZ	JC
	A	PARTS RELEASED FOR PRODUCTION	12NOV2013	MZ	JC

NOTES:


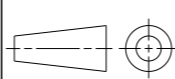
1 MATERIAL: PA GF (NATURAL AND BLACK COLOUR)
 2 ALL POLARIZATION KEYS SHOWN FOR REF ONLY
 3 WAYS I.D.
 4 VOLTAGE AND CURRENT RATINGS
 5 RIB CLOSING CAVITIES BY CHANGE OVER
 6 TE LOGO
 7 TE PART NUMBER
 8 DATA CODE
 9 AREA FOR AGENCIES APPROVAL LOGO
 10 VISUAL INDOCATOR FOR PE CONDUCTOR

11) SEE C-DRAWING 293682 (LOCKING CAP) TO GET IP 40

12 IP CODE
 13 CAVITY I.D.
 14 POLARISATION KEY "TYPE D" SUITABLE FOR DALI APPLICATION
 15 SLOTS TO ALLOW DELATCHING OPERATION.
 FOR DELATCHING TOOL AND OPERATION REFER TO APPLICATION SPEC.

5.60 PITCH
(TYP X7)

SCALE 1:1

THIS DRAWING IS A CONTROLLED DOCUMENT.		DWN	M. ZUCCA	31MAR2011	 TE Connectivity	NAME			SOCKET HOUSING FREE HANGING NECTOR M-LINE 5 POLES UNSEALED VERSION					
DIMENSIONS: mm		CHK	M. ZUCCA	31MAR2011		PRODUCT SPEC			SIZE	CAGE CODE	DRAWING NO	RESTRICTED TO		
TOLERANCES UNLESS OTHERWISE SPECIFIED:		APVD	G. TURCO	31MAR2011		APPLICATION SPEC			A3	00779	C-293615	-		
		MATERIAL		NOTE 1		WEIGHT			Customer Drawing			SCALE	SHEET	OF
0 PLC ± 1 PLC ±0.3 2 PLC ±0.20 3 PLC ± 4 PLC ± ANGLES ±3° FINISH -		DWN		M. ZUCCA	31MAR2011	WEIGHT			SCALE 2:1			SHEET 1	OF 2	REV A

1470-19 (3/11)

THIS DRAWING IS UNPUBLISHED.

RELEASED FOR PUBLICATION

2011

© COPYRIGHT 2011

ALL RIGHTS RESERVED.

LOC

DIST

REVISIONS

P	LTR	DESCRIPTION	DATE	DWN	APVD
-		SEE SHEET 1	-	-	-

POLARIZATION TYPES

POLARIZATION TYPE "A"

POLARIZATION TYPE "B"

POLARIZATION TYPE "C"



PNs 0-293615-1
AND 1-293615-1

PNs 0-293615-2
AND 1-293615-2

PNs 0-293615-3
AND 1-293615-3

POLARIZATION TYPE "D"

POLARIZATION TYPE "E"



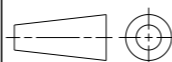
PNs 0-293615-4
AND 1-293615-4

PNs 0-293615-5
AND 1-293615-5

	E	BLACK	SOCKET HOUSING FREE HANG. NECTOR* M-LINE 5 POLES	A	1-293615-5
	D	BLACK	SOCKET HOUSING FREE HANG. NECTOR* M-LINE 5 POLES	A	1-293615-4
	C	BLACK	SOCKET HOUSING FREE HANG. NECTOR* M-LINE 5 POLES	A	1-293615-3
	B	BLACK	SOCKET HOUSING FREE HANG. NECTOR* M-LINE 5 POLES	A	1-293615-2
	A	BLACK	SOCKET HOUSING FREE HANG. NECTOR* M-LINE 5 POLES	A	1-293615-1
	E	NATURAL	SOCKET HOUSING FREE HANG. NECTOR* M-LINE 5 POLES	A	0-293615-5
	D	NATURAL	SOCKET HOUSING FREE HANG. NECTOR* M-LINE 5 POLES	A	0-293615-4
	C	NATURAL	SOCKET HOUSING FREE HANG. NECTOR* M-LINE 5 POLES	A	0-293615-3
	B	NATURAL	SOCKET HOUSING FREE HANG. NECTOR* M-LINE 5 POLES	A	0-293615-2
	A	NATURAL	SOCKET HOUSING FREE HANG. NECTOR* M-LINE 5 POLES	A	0-293615-1
NOTE	POL. KEYING	COLOUR	DESCRIPTION	REV.	PART NUMBER

THIS DRAWING IS A CONTROLLED DOCUMENT.

DIMENSIONS:
mm



MATERIAL NOTE 1

TOLERANCES UNLESS OTHERWISE SPECIFIED:

0 PLC	±
1 PLC	±0.3
2 PLC	±0.20
3 PLC	±
4 PLC	±
ANGLES	±3°
FINISH	-

DWN M. ZUCCA 31MAR2011

CHK M. ZUCCA 31MAR2011

APVD G. TURCO 31MAR2011

PRODUCT SPEC

APPLICATION SPEC

WEIGHT

Customer Drawing



TE Connectivity

NAME
SOCKET HOUSING FREE HANGING
NECTOR M-LINE 5 POLES
UNSEALED VERSION

SIZE CAGE CODE DRAWING NO RESTRICTED TO

A300779 C-293615

SCALE 2:1 SHEET 2 OF 2 REV A

X-ON Electronics

Largest Supplier of Electrical and Electronic Components

Click to view similar products for [Lighting Connectors](#) category:

Click to view products by [TE Connectivity](#) manufacturer:

Other Similar products are found below :

[21061-9](#) [293300-7](#) [2106117-2](#) [293660-5](#) [293700-2](#) [CNX_H03_NTP](#) [30-9767-BU](#) [3-21030-1](#) [ZCH-110-RGB-I](#) [503471-0290](#) [ES5P09K4F2](#)
[CNXH02NTP](#) [ZCH-110-RGB-J](#) [217-0716-200](#) [192992-0057](#) [1954563-1](#) [217-3030-000](#) [217-3032-000](#) [237-0734-003](#) [DTS24W25-20PN-LC](#)
[1-2213614-2](#) [2834049-3](#) [ES9S002SZZ](#) [2834049-2](#) [2-2834067-3](#) [1-293657-2](#) [2834049-1](#) [293699-2](#) [293701-3](#) [1-2213614-3](#) [2834036-1](#)
[2834037-1](#) [2213614-3](#) [2307526-2](#) [2-2106124-3](#) [2-2834068-3](#) [FLS2SC4001BP](#) [FLSC80352000](#) [FLSC80354000](#) [FLSC80353000](#) [FLSSB8002](#)
[FLSSB8001](#) [FLSC80351000](#) [FLSSB4001](#) [FLSC80504000](#) [FLSC80502000](#) [FLSC80501000](#) [FLSSR4001](#) [X3700WM-02HF-LPSN](#) [FLA-](#)
[R4142-30](#)