

THIS DRAWING IS UNPUBLISHED.

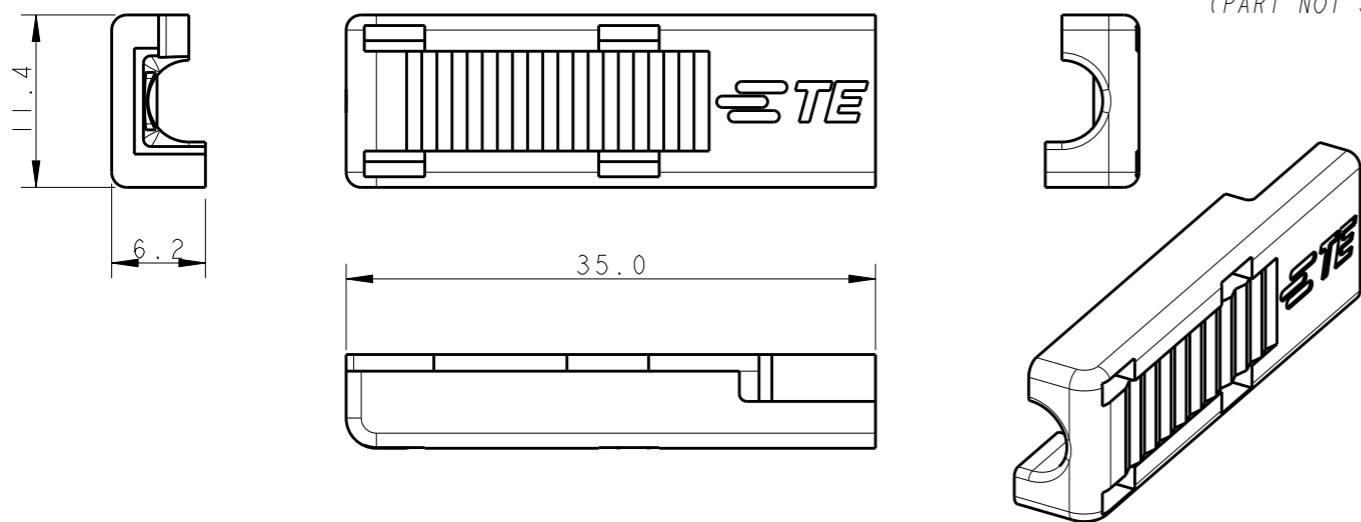
RELEASED FOR PUBLICATION

2010

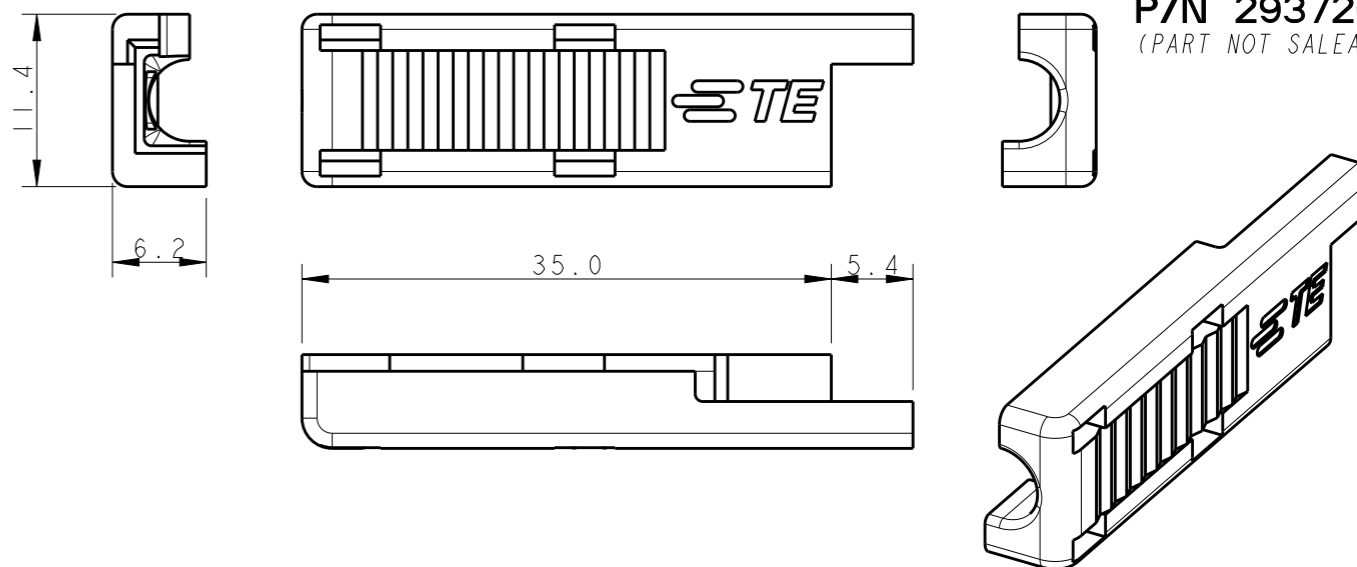
© COPYRIGHT 2010 BY TYCO ELECTRONICS CORPORATION. ALL INTERNATIONAL RIGHTS RESERVED.

| LOC | DIST | REVISIONS |     |   |           |      |      |
|-----|------|-----------|-----|---|-----------|------|------|
|     |      | P         | LTR | DESCRIPTION                             | DATE      | DWN  | APVD |
| 1   | -    |           | 3   | REVISED: ADDED PARTS WITH POLARIZATIONS | 08NOV2010 | D.C. | G.T. |
|     |      |           | 4   | REVISED: LOGO UPDATE ON "A" COVERPARTS  | 25AUG2011 | D.C. | G.T. |
|     |      |           | A   | RELEASED FOR PRODUCTION P/N 293734-1    | 20DEC2011 | D.C. | G.T. |
|     |      |           | AI  | REVISED PER ECR-14-006523               | 12MAY2014 | RS   | DD   |

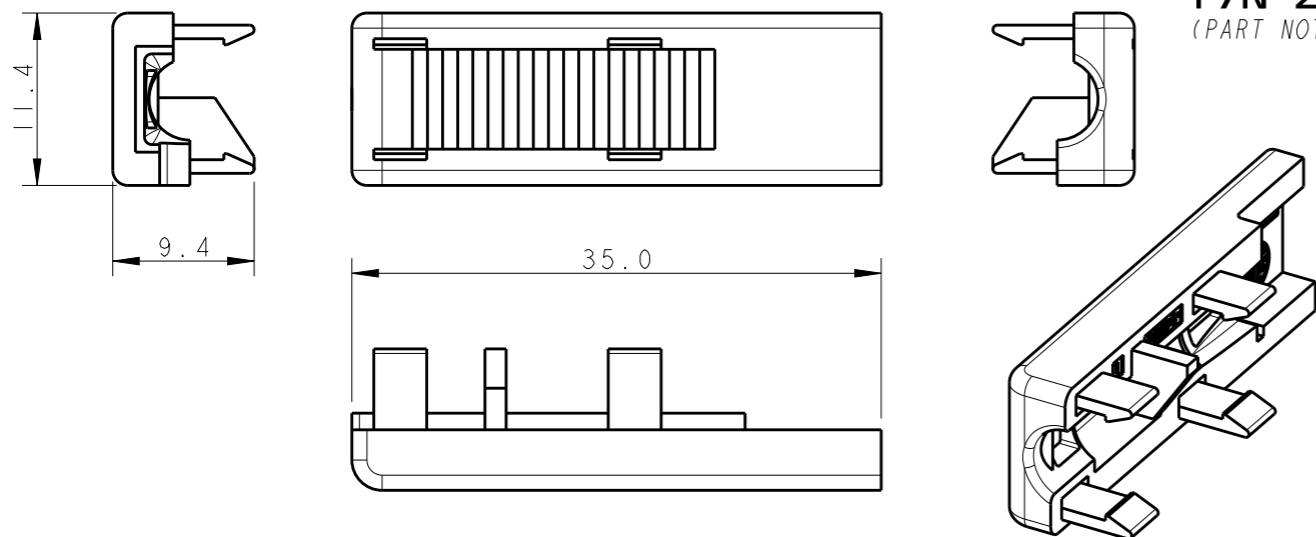
**COVERPART "A"**  
**P/N 293726-1**  
(PART NOT SALEABLE)



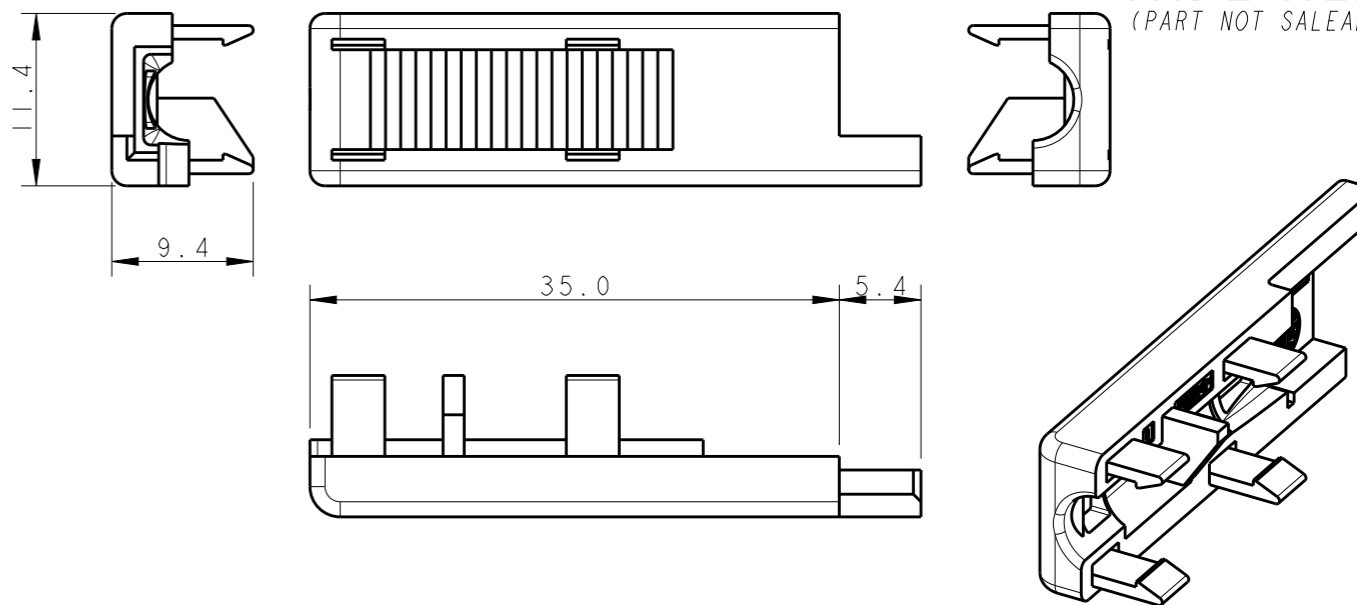
**COVERPART "A"**  
**P/N 293726-2**  
(PART NOT SALEABLE)



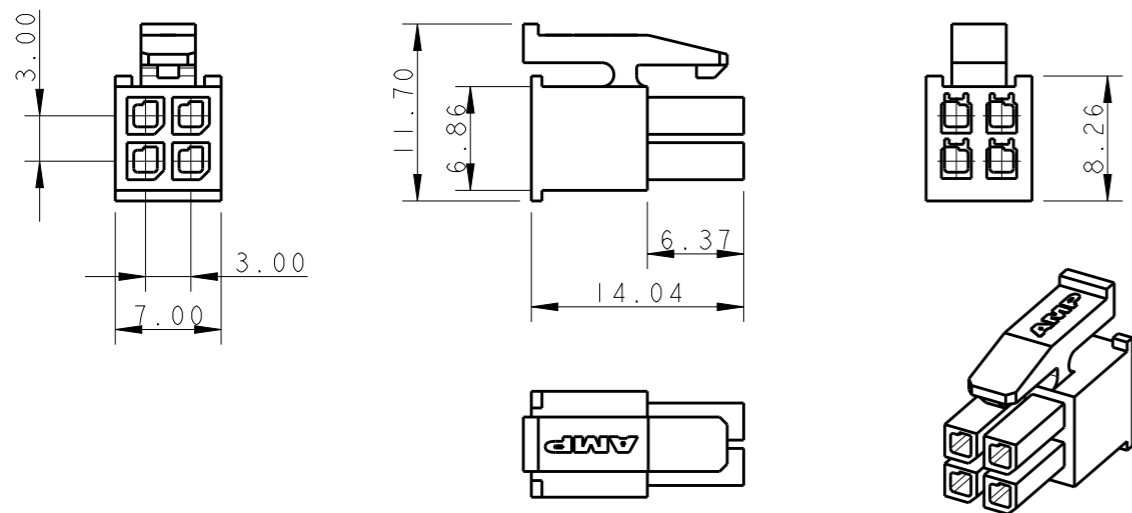
**COVERPART "B"**  
**P/N 293727-1**  
(PART NOT SALEABLE)



**COVERPART "B"**  
**P/N 293727-2**  
(PART NOT SALEABLE)



**4 POS. PLUG HOUSING**  
**P/N 794617-4**



THIS DRAWING IS A CONTROLLED DOCUMENT FOR TYCO ELECTRONICS CORPORATION  
IT IS SUBJECT TO CHANGE AND THE CONTROLLING ENGINEERING ORGANIZATION  
SHOULD BE CONTACTED FOR THE LATEST REVISION.

|                |  |
|----------------|--|
| DIMENSIONS:    | TOLERANCES UNLESS OTHERWISE SPECIFIED: |
| mm             | 0 PLC ±0.5                             |
|                | 1 PLC ±0.3                             |
|                | 2 PLC ±0.2                             |
|                | 3 PLC ±                                |
|                | 4 PLC ±                                |
|                | ANGLES ±°                              |
| MATERIAL       | FINISH                                 |
| NYLON, UL94-V0 | -                                      |
| BLACK          |  |

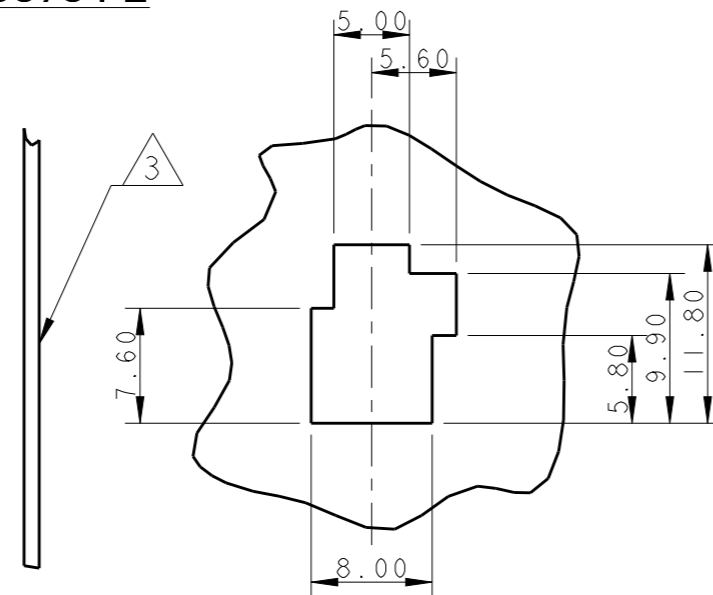
|                  |           |
|------------------|-----------|
| DWN              | 23JUN2010 |
| D. CHIARELLI     |           |
| CHK              | 23JUN2010 |
| D. CHIARELLI     |           |
| APVD             | 23JUN2010 |
| G. TURCO         |           |
| PRODUCT SPEC     | 108-20314 |
| APPLICATION SPEC | 114-20157 |
| WEIGHT           | -         |
| Customer Drawing |           |

|                           |           |                                      |               |
|---------------------------|-----------|--------------------------------------|---------------|
|                           |           | Tyco Electronics AMP Italia S.r.l.   |               |
|                           |           | C.so F.lli Cervi, 15 - Collegno (TO) |               |
| NAME                      |           |                                      |               |
| 4 POS. COVERPART FOR      |           |                                      |               |
| 4 POS. MICRO MATE-N-LOK   |           |                                      |               |
| PLUG HOUSING P/N 794617-4 |           |                                      |               |
| SIZE                      | CAGE CODE | DRAWING NO                           | RESTRICTED TO |
| A3                        | 00779     | C-293734                             | -             |
| SCALE                     |           | SHEET                                | REV           |
| 2:1                       |           | 1 OF 2                               | AI            |

| LOC | DIST | REVISIONS   |      |     |      |
|-----|------|-------------|------|-----|------|
| P   | LTR  | DESCRIPTION | DATE | DWN | APVD |
|     |      | SEE SHEET 1 |      |     |      |

### PANEL CUTOUT FOR P/N 293734-2

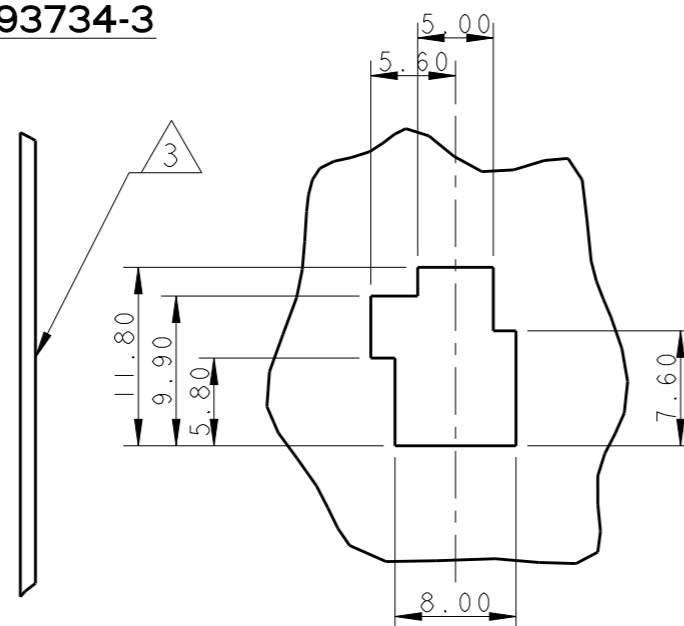
CONNECTOR P/N 293734-2  
MATING DIRECTION →



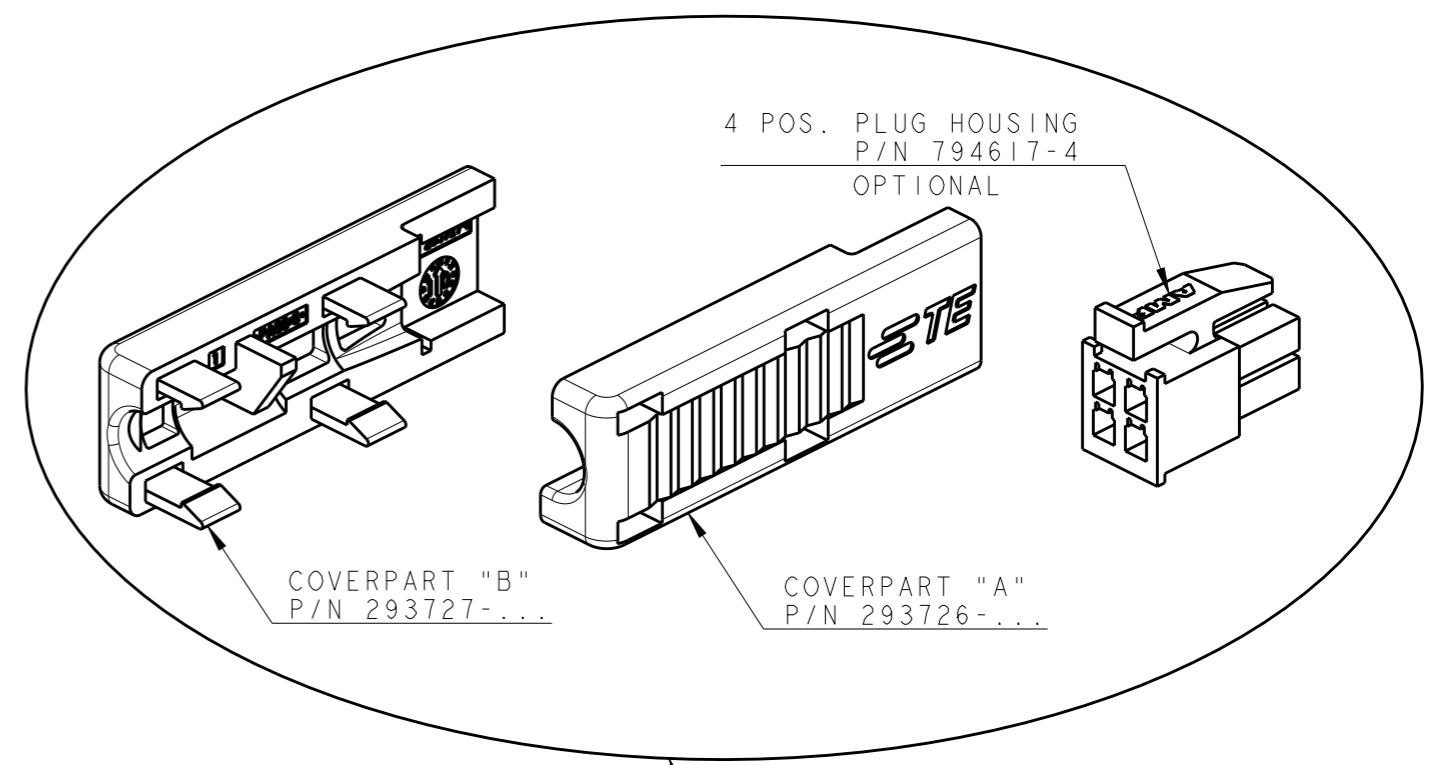
TOLERANCES ±0.10 FOR ALL THE DIMENSIONS OF THE PANEL

### PANEL CUTOUT FOR P/N 293734-3

CONNECTOR P/N 293734-3  
MATING DIRECTION →



TOLERANCES ±0.10 FOR ALL THE DIMENSIONS OF THE PANEL



### 4 POS. COVERPART P/N 293734-...

- PACKAGING: ACCORDING TO THE COMPONENT TABLE, CARTON BOX CONTAINING:
    - N°500 PIECES OF COVERPART "A" P/N 293726-...
    - N°500 PIECES OF COVERPART "B" P/N 293727-...
    - N°500 PLUG HOUSINGS P/N 794617-4
  - ADMITTED CABLES MUST HAVE EXTERNAL DIAMETER OF 5,0±0,2mm AND MUST BE OF THE FOLLOWING TYPE:
    - LiYY 4x0,34mm<sup>2</sup> (MAX. N°4 CONTACTS P/N 794606-1 MUST BE CRIMPED ON THIS CABLE)
    - LiYY 4x22AWG UL AWM STYLE 2464 / 1061 (MAX. N°4 CONTACTS P/N 794606-1 MUST BE CRIMPED ON THIS CABLE)
- 3 ON THIS SIDE OF THE PANEL THERE IS THE COUNTERPART CONNECTOR, TYCO ELECTRONICS P/N 794639-4
- 4 NOT RELEASED FOR PRODUCTION

|                     |               |               |                                   |   |
|---------------------|---------------|---------------|-----------------------------------|---|
| -                   | 293727-1      | 293726-1      | 293734-4                          | 4 |
| 794617-4            | 293727-2      | 293726-1      | 293734-3<br>(POLARIZED VERSION 2) | 4 |
| 794617-4            | 293727-1      | 293726-2      | 293734-2<br>(POLARIZED VERSION 1) | 4 |
| 794617-4            | 293727-1      | 293726-1      | 293734-1<br>(STANDARD VERSION)    |   |
| 4 POS. PLUG HOUSING | COVERPART "B" | COVERPART "A" | PART NUMBER                       |   |
| COMPONENTS          |               |               |                                   |   |

THIS DRAWING IS A CONTROLLED DOCUMENT FOR TYCO ELECTRONICS CORPORATION IT IS SUBJECT TO CHANGE AND THE CONTROLLING ENGINEERING ORGANIZATION SHOULD BE CONTACTED FOR THE LATEST REVISION.

| DIMENSIONS: |  | TOLERANCES UNLESS OTHERWISE SPECIFIED: |      |
|-------------|--|--|------|
| mm          |  | 0 PLC                                  | ±0.5 |
|             |  | 1 PLC                                  | ±0.3 |
|             |  | 2 PLC                                  | ±0.2 |
|             |  | 3 PLC                                  | ±    |
|             |  | 4 PLC                                  | ±    |
| MATERIAL    |  | ANGLES                                 | ±°   |
| -           |  | FINISH                                 | -    |

|                  |             |
|------------------|-------------|
| DWN              | 23 JUN 2010 |
| D. CHIARELLI     |             |
| CHK              | 23 JUN 2010 |
| D. CHIARELLI     |             |
| APVD             | 23 JUN 2010 |
| G. TURCO         |             |
| PRODUCT SPEC     | 108-20314   |
| APPLICATION SPEC | 114-20157   |
| WEIGHT           | -           |
| Customer Drawing |             |



Tyco Electronics AMP Italia S.r.l.  
C.so F.lli Cervi, 15 - Collegno (TO)

|  |           |            |               |
|--|-----------|------------|---------------|
| NAME   |           |            |               |
| 4 POS. COVERPART FOR<br>4 POS. MICRO MATE-N-LOK<br>PLUG HOUSING P/N 794617-4 |           |            |               |
| SIZE   | CAGE CODE | DRAWING NO | RESTRICTED TO |
| A3   | 00779     | C-293734   | -             |
| SCALE  |           | SHEET      | REV           |
| 2:1  |           | 2 OF 2     | A1            |

## X-ON Electronics

Largest Supplier of Electrical and Electronic Components

*Click to view similar products for [Headers & Wire Housings](#) category:*

*Click to view products by [TE Connectivity](#) manufacturer:*

Other Similar products are found below :

[95000-104TRLF](#) [10135584-644402LF](#) [DF62W-EP2022PCA](#) [95000-106TRLF](#) [DF62W-2022SCA](#) [DF62W-EP2022PC](#) [2203348](#) [DF62W-2022SC](#) [1084018](#) [1029039](#) [1084017](#) [802-10-012-10-002000](#) [1112640](#) [1112639](#) [891-007-9SS-BST1T](#) [000-34000](#) [0008550134](#) [0009482033](#) [0009507031](#) [57102-F02-18ULF](#) [57102-S06-03LF](#) [57202-S52-04LF](#) [PCN6-15S-2.5E](#) [0039019024](#) [58102-G61-06LF](#) [582553-1](#) [0009485154](#) [0009508121](#) [0022285053](#) [0050291907](#) [018731A](#) [LY20-4P-DT1-P1E-BR](#) [02.125.8002.8](#) [60101931](#) [60598-1 \(Cut Strip\)](#) [M1625-3R/100](#) [61062-3](#) [61082-181009](#) [CSU011177004](#) [636-1427](#) [638009-1](#) [641938-9](#) [641991-4](#) [644168-1](#) [644827-2](#) [647662-1](#) [65039-019ELF](#) [65692-001LF](#) [65781-018](#) [65781-047](#)