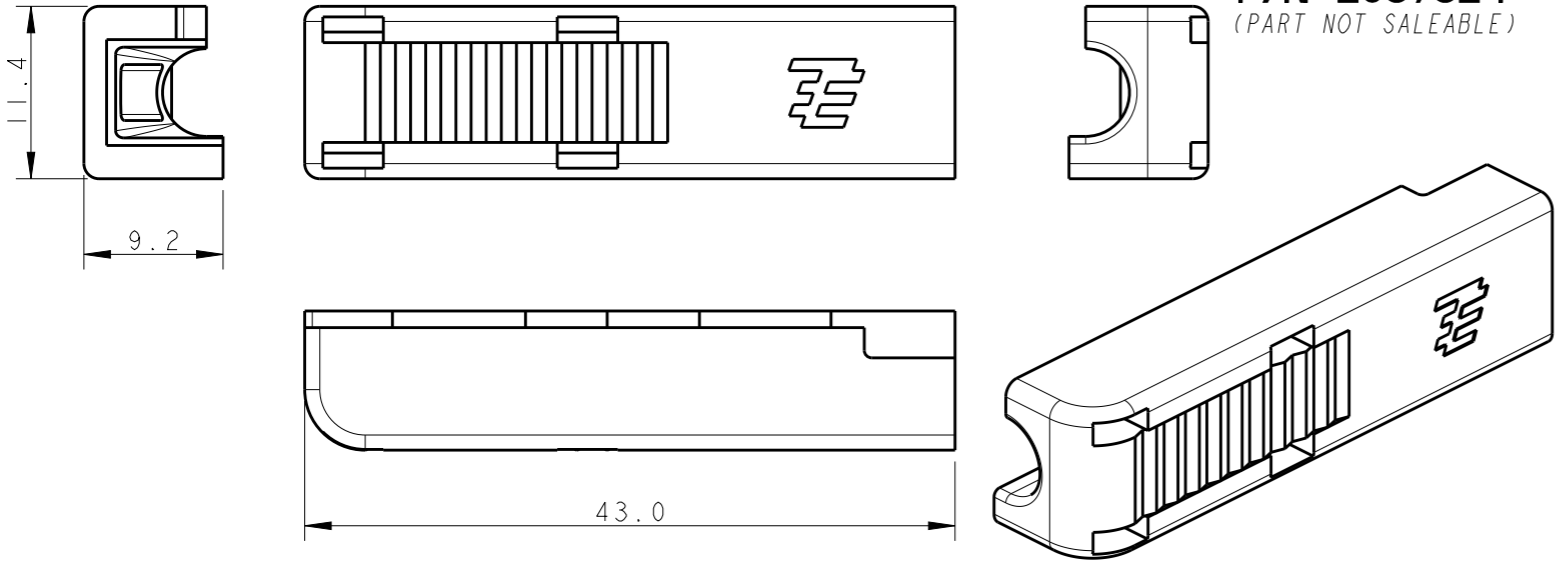


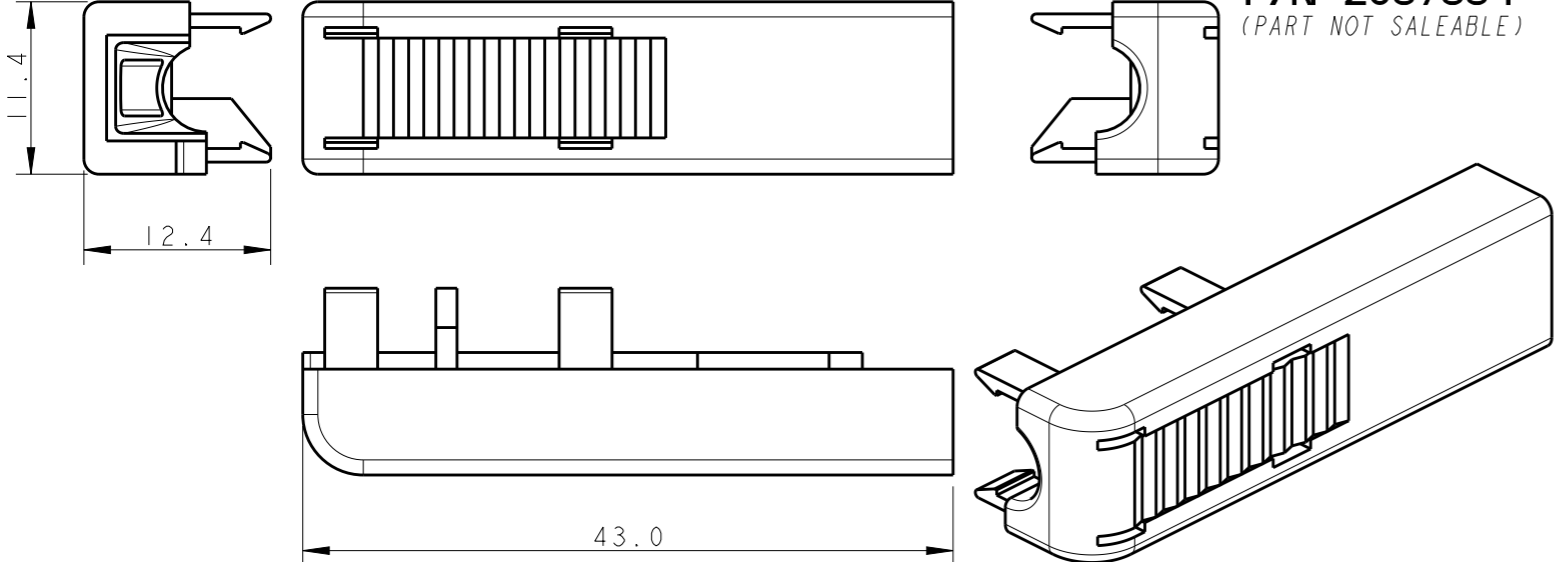
THIS DRAWING IS UNPUBLISHED. RELEASED FOR PUBLICATION 2010  
 © COPYRIGHT 2010 BY TYCO ELECTRONICS CORPORATION. ALL INTERNATIONAL RIGHTS RESERVED.

LOC	DIST	REVISIONS			
P	LTR	DESCRIPTION	DATE	DWN	APVD
		A	RELEASED FOR PRODUCTION	09NOV2011	D.C. G.T.
		A1	REVISED PER ECR-14-006523	12MAY2014	RS DD
		A2	REVISED PER ECR-14-012227	18AUG2014	RS DD

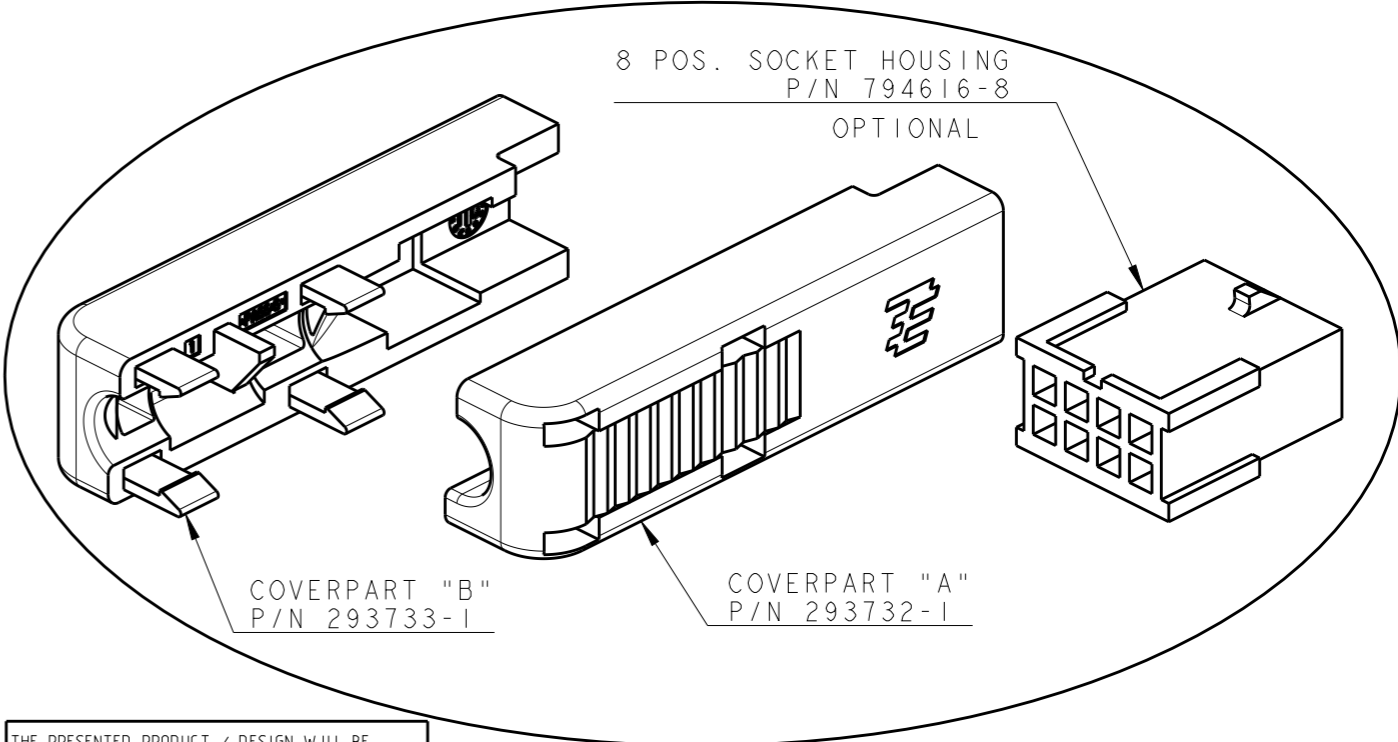
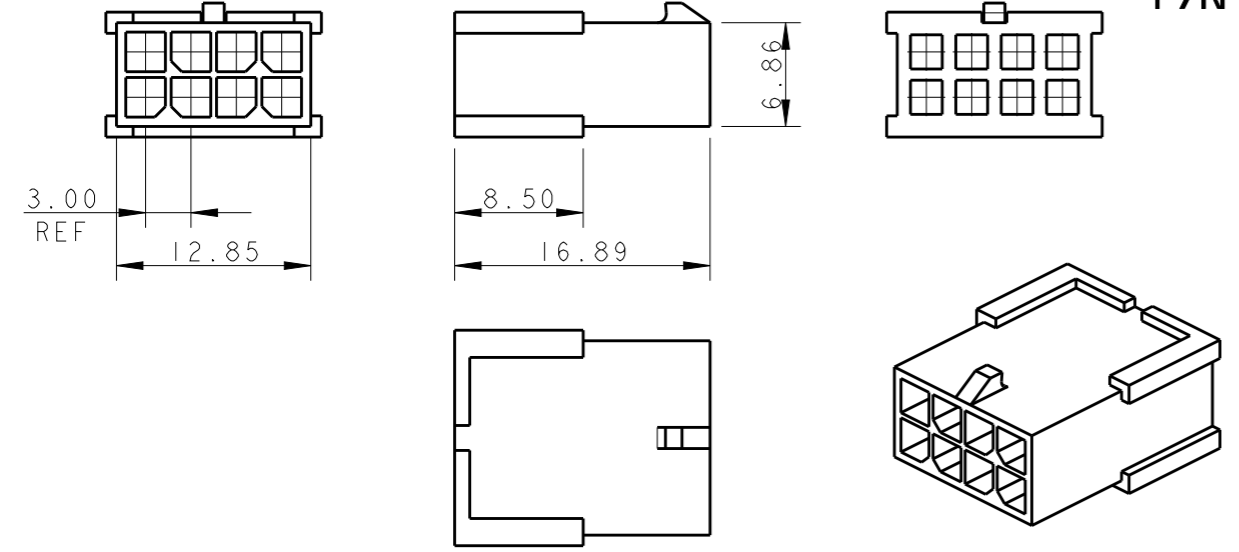
**COVERPART "A"**  
**P/N 293732-1**  
 (PART NOT SALEABLE)



**COVERPART "B"**  
**P/N 293733-1**  
 (PART NOT SALEABLE)



**8 POS. SOCKET HOUSING**  
**P/N 794616-8**



THE PRESENTED PRODUCT / DESIGN WILL BE RELEASED FOR THE MANUFACTURING OF THE NECESSARY PRODUCTION TOOLS HEREBY. FURTHER CHANGES HAS TO BE PAID BY CUSTOMER.  
 DATE, SIGN OF THE CUSTOMER

**8 POS. COVERPART**  
**P/N 293737**

- 1 PACKAGING: CARTON BOX CONTAINING:
  - N°500 PIECES OF COVERPART "A" P/N 293732-1
  - N°500 PIECES OF COVERPART "B" P/N 293733-1
  - N°500 SOCKET HOUSINGS P/N 794616-8
- 2 ADMITTED CABLES MUST HAVE EXTERNAL DIAMETER OF 5,6±0,2mm AND MUST BE OF THE FOLLOWING TYPE:
  - LiYY 8x0.25mm<sup>2</sup> (MAX. N°8 CONTACTS P/N 794608-1 MUST BE CRIMPED ON THIS CABLE).
  - HELUKABEL DATAFLAMM 10x0,14mm<sup>2</sup> / 52307 350V HALOGEN FREE (MAX. N°8 CONTACTS P/N 794609-1 MUST BE CRIMPED ON THIS CABLE).

3 NOT RELEASED FOR PRODUCTION

-	293733-1	293732-1	293737-2	3
794616-8	293733-1	293732-1	293737-1	
PLUG HOUSING	COVERPART "B"	COVERPART "A"	PART NUMBER	

THIS DRAWING IS A CONTROLLED DOCUMENT FOR TYCO ELECTRONICS CORPORATION IT IS SUBJECT TO CHANGE AND THE CONTROLLING ENGINEERING ORGANIZATION SHOULD BE CONTACTED FOR THE LATEST REVISION.

DIMENSIONS:	TOLERANCES UNLESS OTHERWISE SPECIFIED:
mm	0 PLC ±0.5
	1 PLC ±0.3
	2 PLC ±0.2
	3 PLC ±
	4 PLC ±
	ANGLES ±°
MATERIAL	FINISH
NYLON, UL94-V0	-
BLACK	

DWN	23JUN2010	<b>STE</b> Tyco Electronics AMP Italia S.r.l. C.so F.lli Cervi, 15 - Collegno (TO)
CHK	23JUN2010	
APVD	23JUN2010	
NAME		8 POS. COVERPART FOR 8 POS. MICRO MATE-N-LOK SOCKET HOUSING P/N 794616-8
PRODUCT SPEC		
APPLICATION SPEC		RESTRICTED TO
WEIGHT		
Customer Drawing	SCALE 2:1	SHEET 1 OF 1
REV A2		

## X-ON Electronics

Largest Supplier of Electrical and Electronic Components

*Click to view similar products for [Pin & Socket Connectors](#) category:*

*Click to view products by [TE Connectivity](#) manufacturer:*

Other Similar products are found below :

[6450822-1](#) [770392-1](#) [794042-1](#) [796885-1](#) [8-794535-1](#) [881459-2](#) [R929993003](#) [1-350779-3](#) [1403611-1](#) [1-480349-5](#) [152302-5](#) [1586092-1](#)  
[1586129-1](#) [1586487-1](#) [1586681-4](#) [1586700-1](#) [1586065-1](#) [1586077-1](#) [1586368-1](#) [1586380-1](#) [1586616-1](#) [1586680-5](#) [1586681-2](#) [1604996-1](#)  
[16-06-0038](#) [164164-5](#) [1-6609930-1](#) [172296-1](#) [1-794714-6](#) [19-09-2035](#) [1969804-1](#) [200503-1](#) [200788-2](#) [201046-7](#) [202648-4](#) [2029076-2](#)  
[2029090-4](#) [2029095-4](#) [2-66102-6](#) [925061-7](#) [926681-1](#) [293734-4](#) [293737-2](#) [1-765362-4](#) [1-794606-3](#) [1871534-1](#) [1969795-1](#) [1969798-1](#)  
[1969800-1](#) [200833-4](#)