

12SMX Crystals

ISSUE 9; 10 APRIL 2002

Delivery Options

- Please contact our sales office for current leadtimes

Holder Style

- 12SMX surface mount crystals are encapsulated in a ceramic package with a resin sealed lid

General Specifications

- Load Capacitance (C_L): 10pF to 75pF or Series
- Drive Level: 0.1mW max
- Static Capacitance (C_0): 7pF max

Packaging

- 12SMX surface mount crystals are available packaged individually or on tape and reel
- 12SMX-B is the preferred package

Standard Frequency Tolerances and Stability

- ± 30 ppm, ± 50 ppm, ± 100 ppm

Operating Temperature Ranges

- 0 to 50°C
- -10 to 60°C

Storage Temperature Range

- -40 to 85°C

Solder Condition

- For typical soldering conditions, please see the relevant page in Application Notes

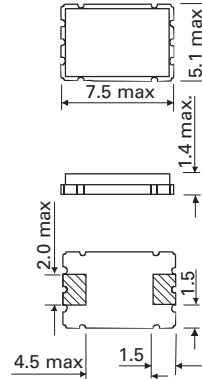
Marking

- Frequency only

Minimum Order Information Required

- Frequency + Holder and Pad Configuration + Frequency Tolerance @ 25°C + Frequency Stability + Operating Temperature Range + Circuit Condition + Overtone Order

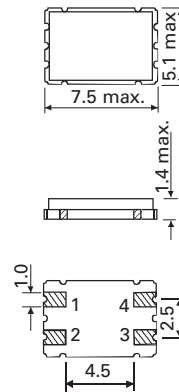
Outline in mm - 12SMX (A)



Solder pad layout



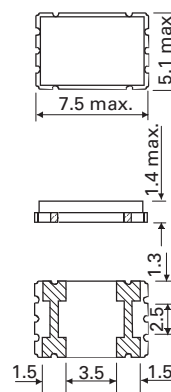
Outline in mm - 12SMX (B)



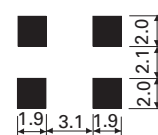
Solder pad layout



Outline in mm - 12SMX (C)



Solder pad layout



Electrical Specification – maximum limiting values

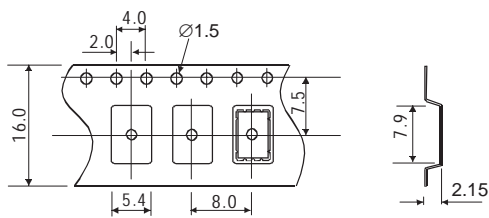
Frequency Range	Frequency Tolerance @ 25°C ±2°C	Operating Temperature Range	Frequency Stability Available Over Operating Temperature		ESR max.	Vibration Mode
			Minimum	Maximum		
6.0 to < 8.0MHz	±20ppm to ±100ppm	0 to 50°C	±20ppm	±100ppm	150Ω	Fundamental
8.0 to < 10.0MHz	±20ppm to ±100ppm	0 to 50°C	±30ppm	±100ppm	80Ω	Fundamental
		-10 to 60°C	±30ppm	±100ppm		
10.0 to < 16.0MHz	±20ppm to ±100ppm	0 to 50°C	±30ppm	±100ppm	60Ω	Fundamental
		-10 to 60°C	±30ppm	±100ppm		
16.0 to < 50.0MHz	±20ppm to ±100ppm	0 to 50°C	±30ppm	±100ppm	40Ω	Fundamental
		-10 to 60°C	±30ppm	±100ppm		
40.0 to < 84.0MHz	±20ppm to ±100ppm	0 to 50°C	±30ppm	±100ppm	60Ω	3rd Overtone
		-10 to 60°C	±30ppm	±100ppm		

Note: 12SMX-A (-C) Package may not be available for all combinations

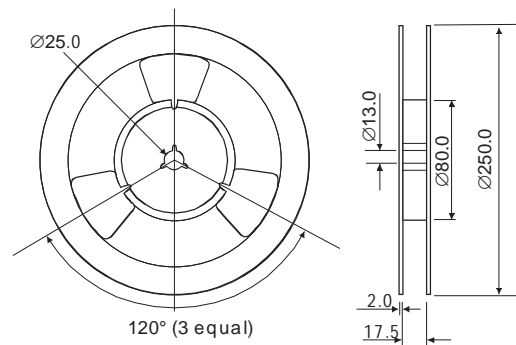
Note. For any other frequencies / specification combinations, please contact our sales office.

SURFACE MOUNT QUARTZ CRYSTALS

Outline in mm - Tape



Outline in mm - Reel



X-ON Electronics

Largest Supplier of Electrical and Electronic Components

Click to view similar products for [Crystals](#) category:

Click to view products by [IQD](#) manufacturer:

Other Similar products are found below :

[CS325S24000000ABJT](#) [718-13.2-1](#) [MC405 32.0000K-R3:PURE SN](#) [FC-135R 32.7680KF-A3](#) [7A-40.000MAAE-T](#) [7B-27.000MBBK-T](#)
[FL2000085](#) [9B-15.360MBBK-B](#) [9C-7.680MBBK-T](#) [ASH7K-32.768KHZ](#) [AT-41.600MAGQ-T](#) [BTD1062E05A-513](#) [LFX TAL066198Cutt](#)
[9C-14.31818MBBK-T](#) [FA-238 50.0000MB30X-K3](#) [FC-12M 32.7680KA-AC3](#) [SSPT7F-9PF20-R](#) [FX325BS-38.88EEM1201](#)
[LFX TAL065253Cutt](#) [LFX TAL066431Cutt](#) [XT9S20ANA14M7456](#) [XT9SNLANA16M](#) [646G-24-2](#) [7A-24.576MBBK-T](#) [7B-30.000MBBK-T](#)
[WX26-32.768K-6PF](#) [9B-14.31818MBBK-B](#) [CD1AM](#) [7B-25.000MAAE-T](#) [7A-14.31818MBBK-T](#) [6504-202-1501](#) [6526-202-1501](#) [FA-118T](#)
[27.1200MB50P-K0](#) [FC-135R 32.7680KA-A3](#) [ABM12-104-37.400MHZT](#) [ABLS-10.000MHZ-D3W-T](#) [BTJ112E01E-513](#) [BTJ722K01C-7067](#)
[BTL-20-513](#) [TSX-3225 24.0000MF15X-AC](#) [TSX-3225 16.0000MF18X-AC](#) [BTJ120E02C](#) [BTL-12-513](#) [7A-10.000MBBK-T](#) [7A-](#)
[11.0592MBBK-T](#) [ABM12-103-24.000MHZT](#) [CS325S25000000ABJT](#) [ABM3B-25.000MHZ-B2-X-T](#) [FC-135 32.7680KA-A5](#) [FX0800015](#)