

Rev	AWO #	Description	Date	Appr
-		RELEASED	12/6/13	

6

5

4

3

2

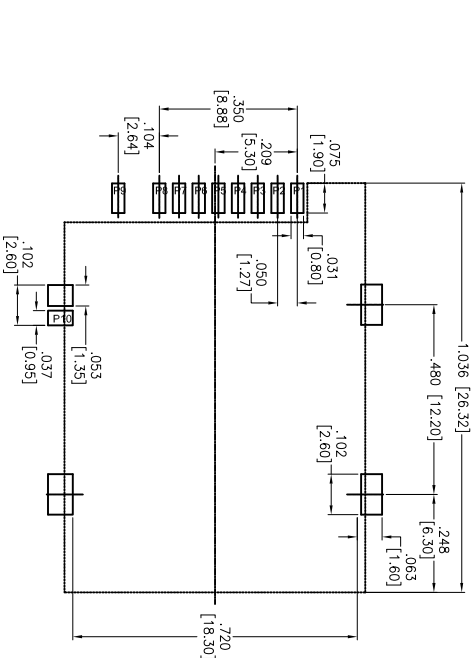
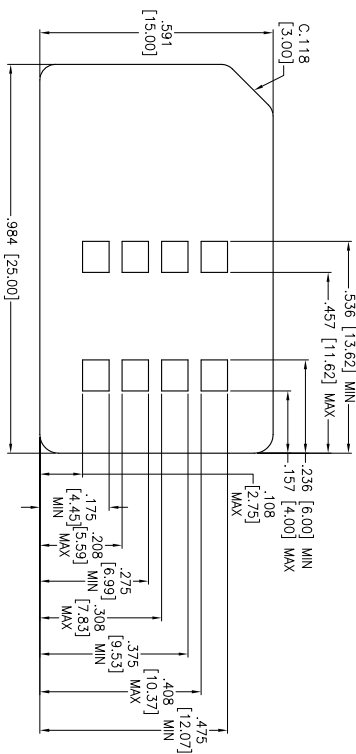
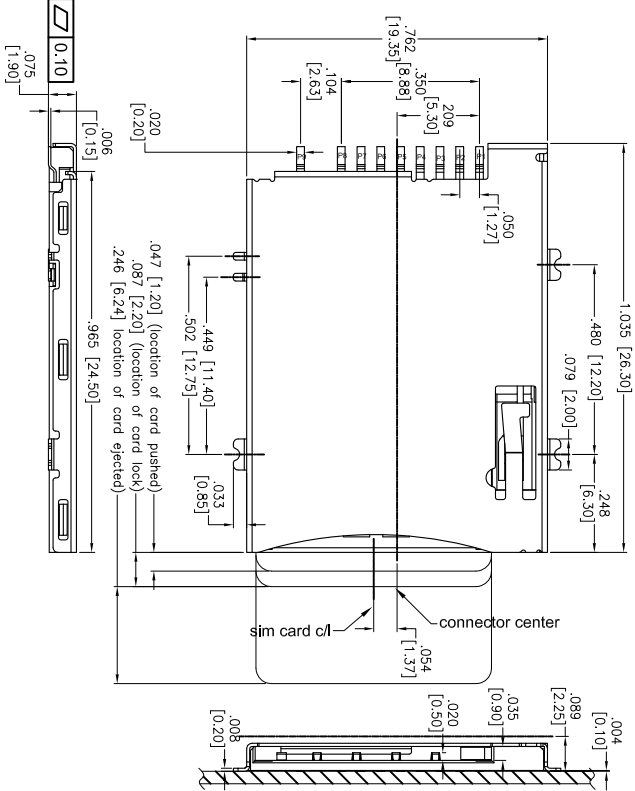
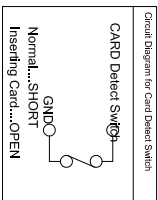
1

APPROVED: _____

DATE: _____

TITLE: _____

Connector Terminal NO.	Pin NO.
Pin 1	VCC
Pin 2	GND
Pin 3	RST
Pin 4	VPP
Pin 5	CLK
Pin 6	IO
Pin 7	DAT0
Pin 8	MCMMD
Pin 9	CLOCKED Detect Switch
Pin 10	GND



RECOMMENDED PCB LAYOUT

PACKAGED ON TAPE & REEL

ADAM TECH909 Railway Avenue, Union, NJ 07083
Phone: 908-687-5000 Fax: 908-687-5710SIM CARD SOCKET 8 PIN, PUSH PUSH TYPE
SEL-GOLD PLATED, WITH SWITCH

UNLESS OTHERWISE SPECIFIED ALL DIMENSIONS ARE INCHES [MM] TOLERANCES: EXCEPT AS NOTED	
.X	± .10
.XX	± .020
.XXX	± .015
.XXX	± .015
∅X	± .10
∅XX	± .015
∅XXX	± .010
APPROVALS	
DRAWN	AY
CHECKED	GC
APPROVED	
	DATE
	12/6/13

TITLE	SIZE	PART NO.	REV.
SIM CARD SOCKET 8 PIN, PUSH PUSH TYPE SEL-GOLD PLATED, WITH SWITCH	X	SCCP-08-SG-SMT-E-SW-TR	-
REF: S00108C	SCALE: NTS	SHEET 1 OF 1	

SPECIFICATIONS:**Material:**

Insulator: Hi-Temp Thermoplastic, rated UL 94V-0

Insulator color: Black

Contact: Phosphor Bronze

Shell: Stainless Steel, Gold/Nickel plated

Plating: Gold Flash over Nickel underplate on contact area, Tin over Copper underplate on SMT tails**Electrical:**

Current rating: 0.5 Amps max

Contact resistance: 100 mohms max

Insulation resistance: 1000 Mohms min @ 500 VDC

Dielectric withstanding voltage: 500 VAC for 1 minute

Temperature Rating:

Operating temperature: -40°C to +85°C

Environmental:

Lead free, RoHS compliant.



A

B

C

D

A

B

C

D

6

5

4

3

2

1

X-ON Electronics

Largest Supplier of Electrical and Electronic Components

Click to view similar products for [Memory Card Connectors](#) category:

Click to view products by [Adam](#) manufacturer:

Other Similar products are found below :

[M10-597810-355](#) [M21-033321-005](#) [6426-201-21343](#) [69.920.0553.0](#) [MCR60A-98D-2.54DSA\(70\)](#) [FCN-568P068-G/07-4V](#) [809180410000000](#)
[95622-003LF](#) [AD2-262F-38900-232](#) [DM3AT-SF-PEJM5\(41\)](#) [EN2997S72039F6](#) [N7E50-7516PG-20-WF](#) [IC11S-BUR-PNEJL\(71\)](#) [NX30TA-](#)
[15PAA\(50\)](#) [21920-5](#) [2041353-2](#) [FUA006-3220-0](#) [308-DS1P0811-192](#) [33CFAE-DN](#) [MI21A-50PD-SF-EJR\(91\)](#) [502431-1011](#) [5175651-2](#) [10-](#)
[247926-166](#) [10-629549-258N](#) [11327-001](#) [11327-002](#) [EN2997S02039B8](#) [EN2997S61212BN](#) [EN2997S72039B6](#) [EN2997SE02039B8](#)
[EN2997SE61212BN](#) [EN2997SE72039B6](#) [603020000](#) [617230001](#) [71-252718-32P](#) [NX1-32T-KT3K\(05\)](#) [95622-003LF](#) [91-570124-15P](#)
[192900-0488](#) [N7E50-U516RB-50-SIN0005](#) [DM1AA-SF-PEJ](#) [95079-00CALF](#) [84648-056HLF](#) [68-580163-21S](#) [33DVIR-29S12R](#)
[SF58S006VBBR2000](#) [93-570123-08P](#) [GMC020080HR](#) [125A-78C00](#) [1010040575#](#)