



ul. Konstytucyjna 79/81
95-200 Pabianice
tel/fax 48 42 2270971 POLAND
e-mail: fif@fif.com.pl

SCO-811

LIGHT DIMMERS

no "storage" of light intensity settings enabled



5 19 0 8 3 1 2 1 5 9 1 1 4 6

www.fif.com.pl

F&F products are covered by an 24 months warranty from date of purchase

PURPOSE

The dimmer is used for switching on and off incandescent and halogen lamps and offers the option of light intensity adjustment by means of any impulse switch (buzzer)

FUNCTIONING

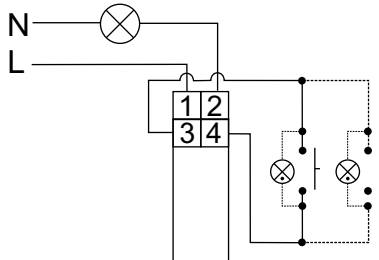
Lighting is switching on by a current pulse sent after pressing an impulse switch (buzzer) connected to a relay. Another impulse switches the lighting off. Pressing and holding the switch for more than 1 second allows the user to adjust light intensity (continuous loop adjustments in the following sequence: BRIGHTER→DARKER→BRIGHTER).

ATTENTION!

There may be working irregularities with certain electronic feeders (e.g. flickering may appear). Therefore, some feeder types require light bulbs or halogens of total power up to 50% of the feeder's nominal.

Tests are recommended before final assembly and commission.

WIRING DIAGRAM



ATTENTION!

To connect the control buttons with the relays is sufficient two lines cable 2x0,35mm².

After all enclosed lighting back up to a maximum of brightness.

Lighting can be controlled by a many of buttons arranged in parallel are connected at various points of the room.

"SOFT START" - hold the button > 1sec. lighting by enclose make it lights up liquid from the "zero" (DARKER→BRIGHTER).

ASSEMBLY

1. Take OFF the power.
2. Put on the relay in to under plaster box.
3. Connect it with wiring diagram.

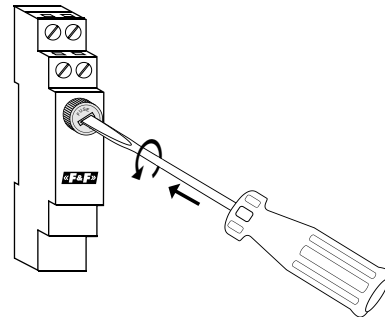
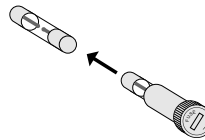
TECHNICAL DATA

supply	230VAC
current load	<1,5A
maximum power of light bulbs connected	350W
current pulse duration	<1sec
power consumption	0,1W
working temperature	-25+50°C
connection	screw terminals 2,5mm ²
dimensions	1 module (18mm)
fixing	on rail TH-35
overcurrent protection	WTA 5x20 2A

ATTENTION!

SCO-811 is compatible with bell pushes equipped with fluorescent lamps.

CHANGE OF FUSE ELEMENT WTA 5x20



X-ON Electronics

Largest Supplier of Electrical and Electronic Components

Click to view similar products for [Power Management IC Development Tools](#) category:

Click to view products by [F&F manufacturer](#):

Other Similar products are found below :

[EVAL6482H-DISC](#) [EVAL-AD5522EBUZ](#) [EVAL-ADM1060EBZ](#) [EVAL-ADM1073MEBZ](#) [EVAL-ADM1166TQEBZ](#) [EVAL-ADM1168LQEBZ](#) [EVAL-ADM1171EBZ](#) [EVAL-ADM1276EBZ](#) [EVB-EN5319QI](#) [EVB-EN5365QI](#) [EVB-EN6347QI](#) [EVB-EP5348UI](#) [MIC23158YML EV](#) [MIC23451-AAAYFL EV](#) [MIC5281YMME EV](#) [124352-HMC860LP3E](#) [ADM00513](#) [ADM8611-EVALZ](#) [ADM8612-EVALZ](#) [ADM8613-EVALZ](#) [ADM8615-EVALZ](#) [ADP1046ADC1-EVALZ](#) [ADP1055-EVALZ](#) [ADP122-3.3-EVALZ](#) [ADP130-0.8-EVALZ](#) [ADP130-1.2-EVALZ](#) [ADP130-1.5-EVALZ](#) [ADP130-1.8-EVALZ](#) [ADP160UJZ-REDYKIT](#) [ADP166UJ-EVALZ](#) [ADP1712-3.3-EVALZ](#) [ADP1714-3.3-EVALZ](#) [ADP1715-3.3-EVALZ](#) [ADP1716-2.5-EVALZ](#) [ADP1740-1.5-EVALZ](#) [ADP1752-1.5-EVALZ](#) [ADP1754-1.5-EVALZ](#) [ADP1828LC-EVALZ](#) [ADP1870-0.3-EVALZ](#) [ADP1871-0.6-EVALZ](#) [ADP1873-0.6-EVALZ](#) [ADP1874-0.3-EVALZ](#) [ADP1876-EVALZ](#) [ADP1879-1.0-EVALZ](#) [ADP1882-1.0-EVALZ](#) [ADP1883-0.6-EVALZ](#) [ADP197CB-EVALZ](#) [ADP199CB-EVALZ](#) [ADP2102-1.25-EVALZ](#) [ADP2102-1.2-EVALZ](#)